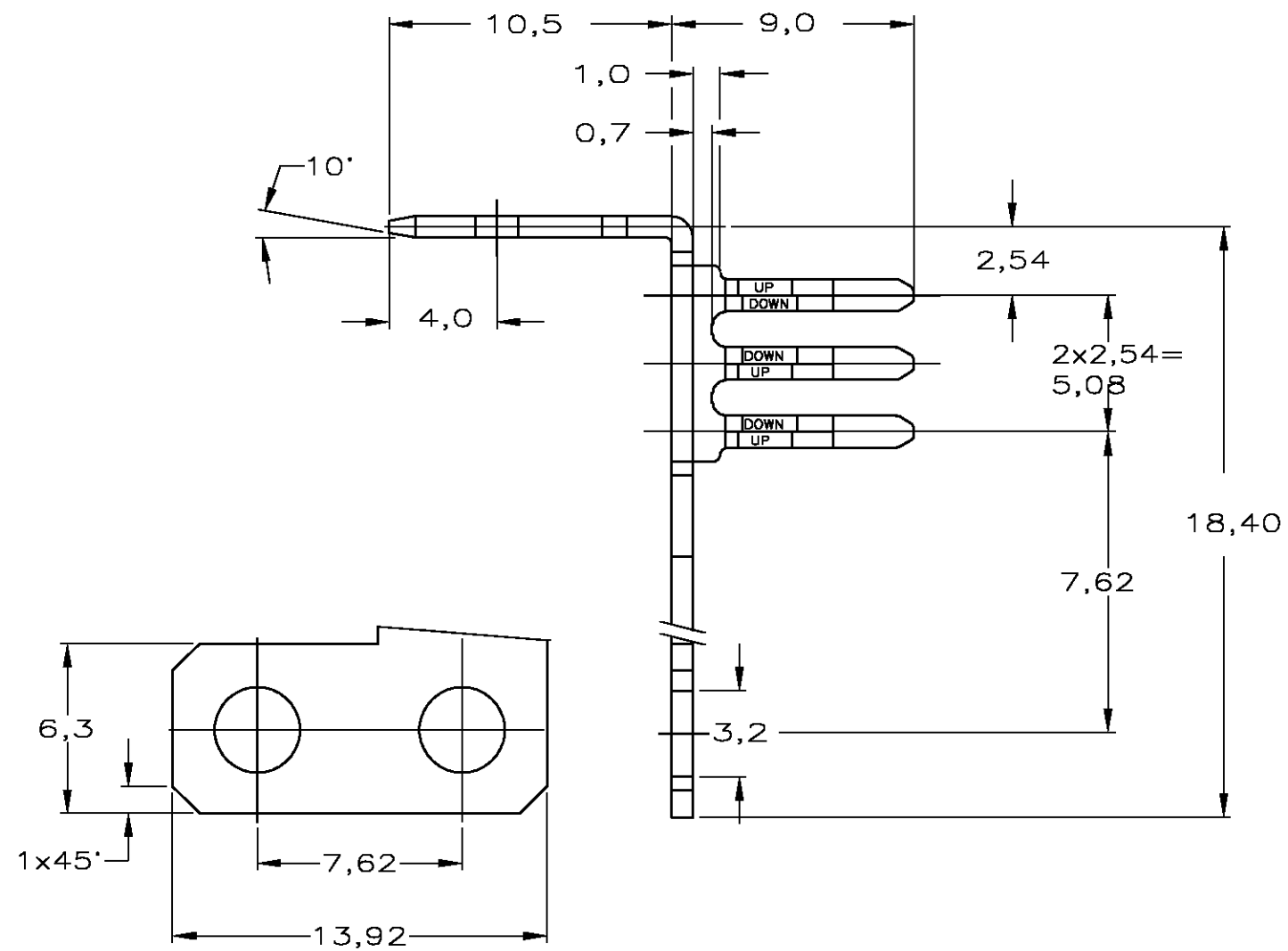


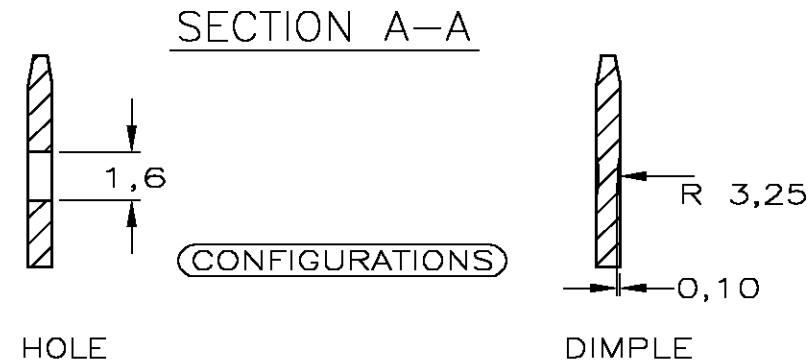
THIS DRAWING IS UNPUBLISHED. RELEASED FOR PUBLICATION
 © COPYRIGHT BY TYCO ELECTRONICS CORPORATION. ALL RIGHTS RESERVED.

LOC	DIST	REVISIONS			
P	LTR	DESCRIPTION	DATE	DWN	APVD
H	-				
	D	ECR-05-006211	13JUL05	CJF	JB

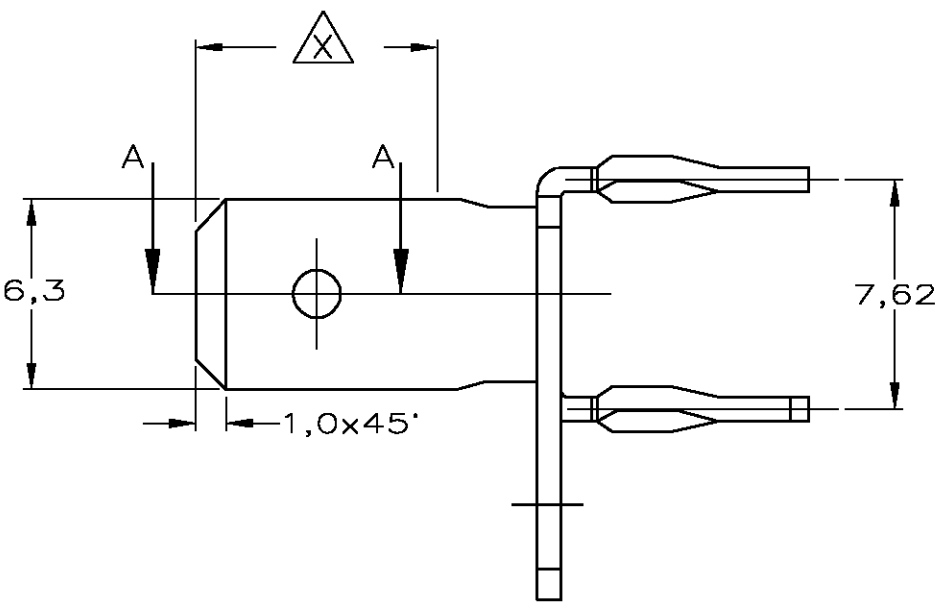


NOTES:

- ① PHOSPHORBRONZE.
- ② PLATING : AREA ① Sn PLATE TO ASTM B 545. NI UNDERCOAT TO ASTM B 571 ALL OVER
- ③ PLATING : Sn PLATE TO ASTM B 545 AND NI UNDERCOAT TO ASTM B 571 ALL OVER
- ④ QUANTITY PER PACKAGE 2000 PCS.



CONFIGURATION	FINISH	MATERIAL	PARTNUMBER
DIMPLE	④②	①	1-215511-2
HOLE	②	①	215511-7
HOLE	③	①	215511-6
-			-
DIMPLE	③	①	215511-3
DIMPLE	②	①	215511-2



THIS DRAWING IS A CONTROLLED DOCUMENT.

DIMENSIONS: MM	TOLERANCES UNLESS OTHERWISE SPECIFIED:	DWN S.Meeuwen 15JAN93	Tyco Electronics Corporation s-Hertogenbosch, Nederland,
	0 PLC ± - 1 PLC ± - 2 PLC ± - 3 PLC ± - 4 PLC ± - ANGLES ± -	CHK R.v.Lokven 22JAN93	
MATERIAL	FINISH	APVD L.v.Soest 26JAN93	NAME
-	-	PRODUCT SPEC 108-19059	6 POS. POWER LINKING TERMINAL WITH ACTION PIN (LEFT HANDED VERSION)
		APPLICATION SPEC -	SIZE A3 CAGE CODE 00779 DRAWING NO C-215511 RESTRICTED TO -
		WEIGHT -	SCALE 4:1 SHEET 1 OF 1 REV D

CUSTOMER DRAWING

单击下面可查看定价，库存，交付和生命周期等信息

[>>TE Connectivity\(泰科\)](#)