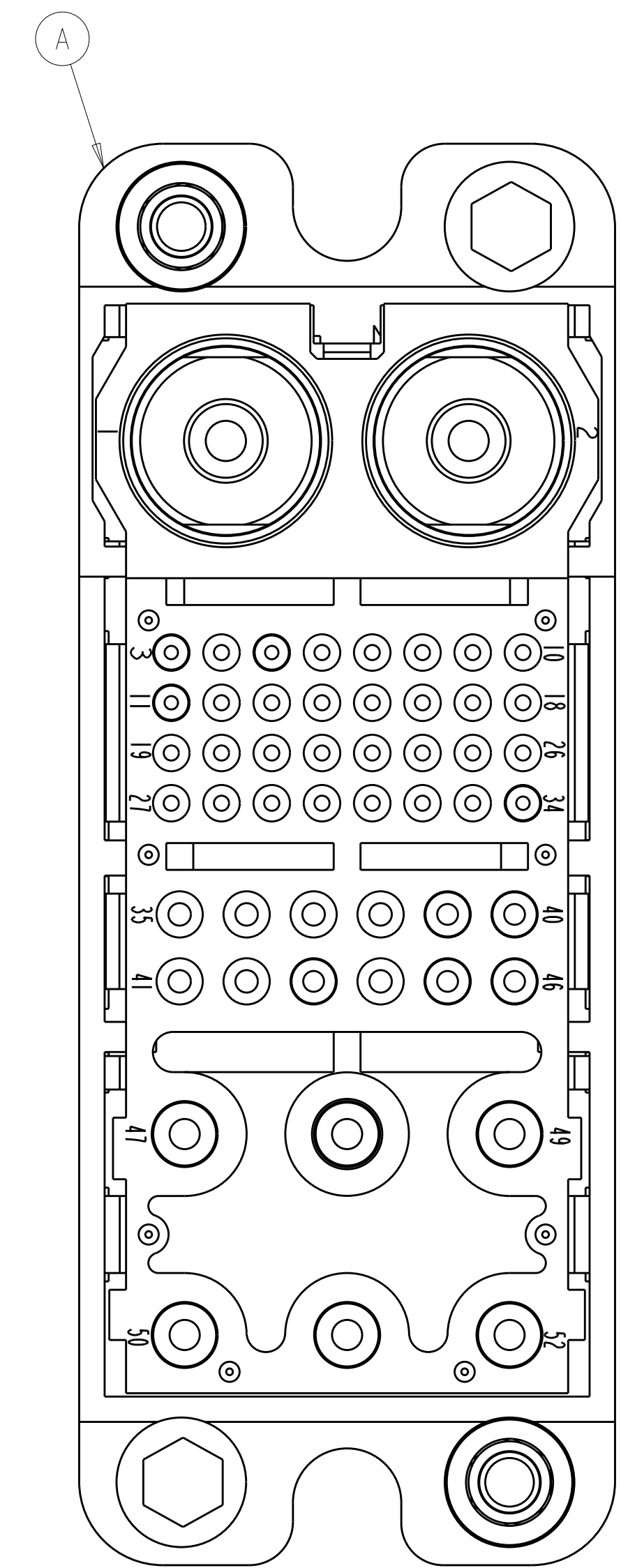
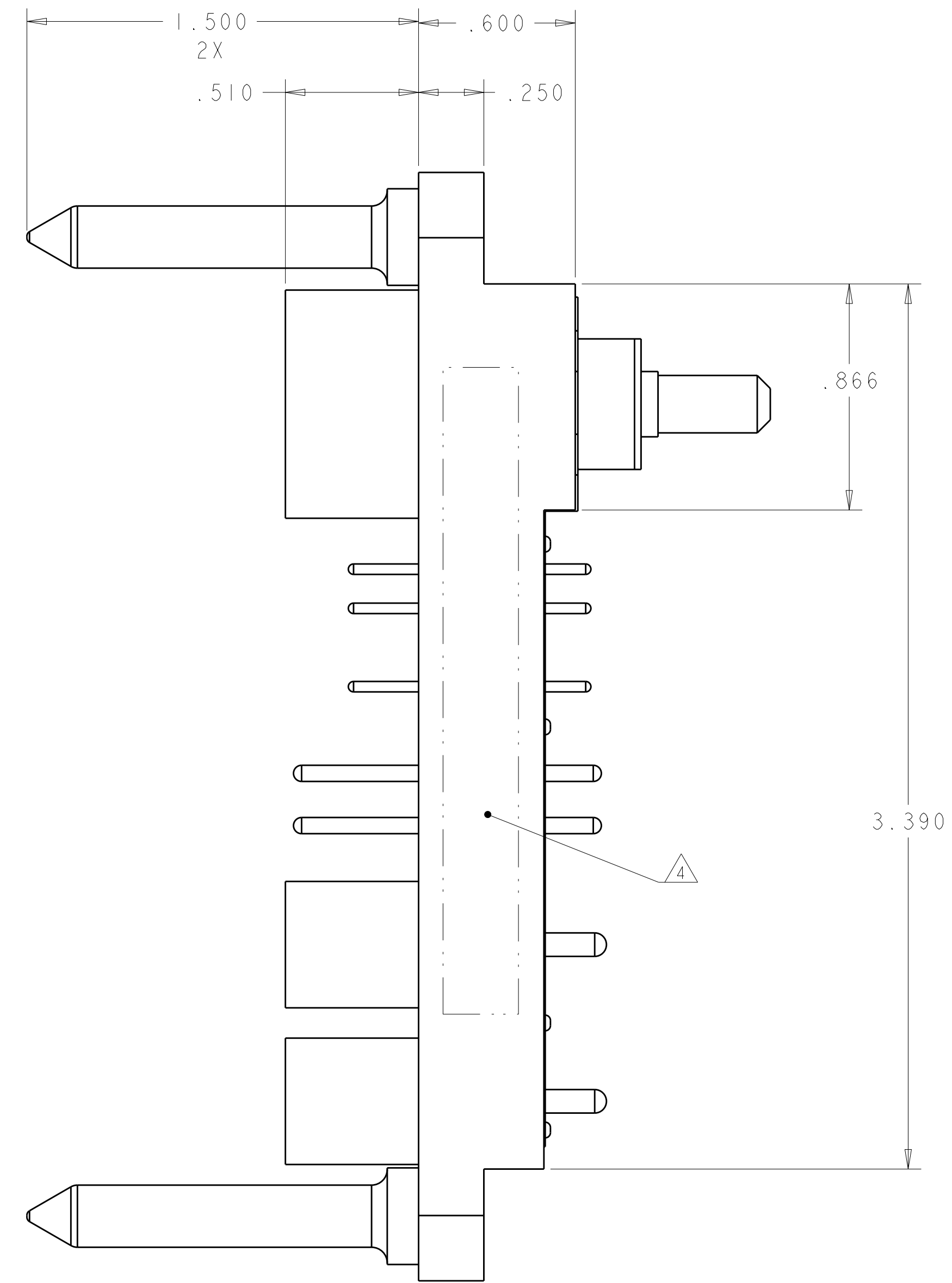
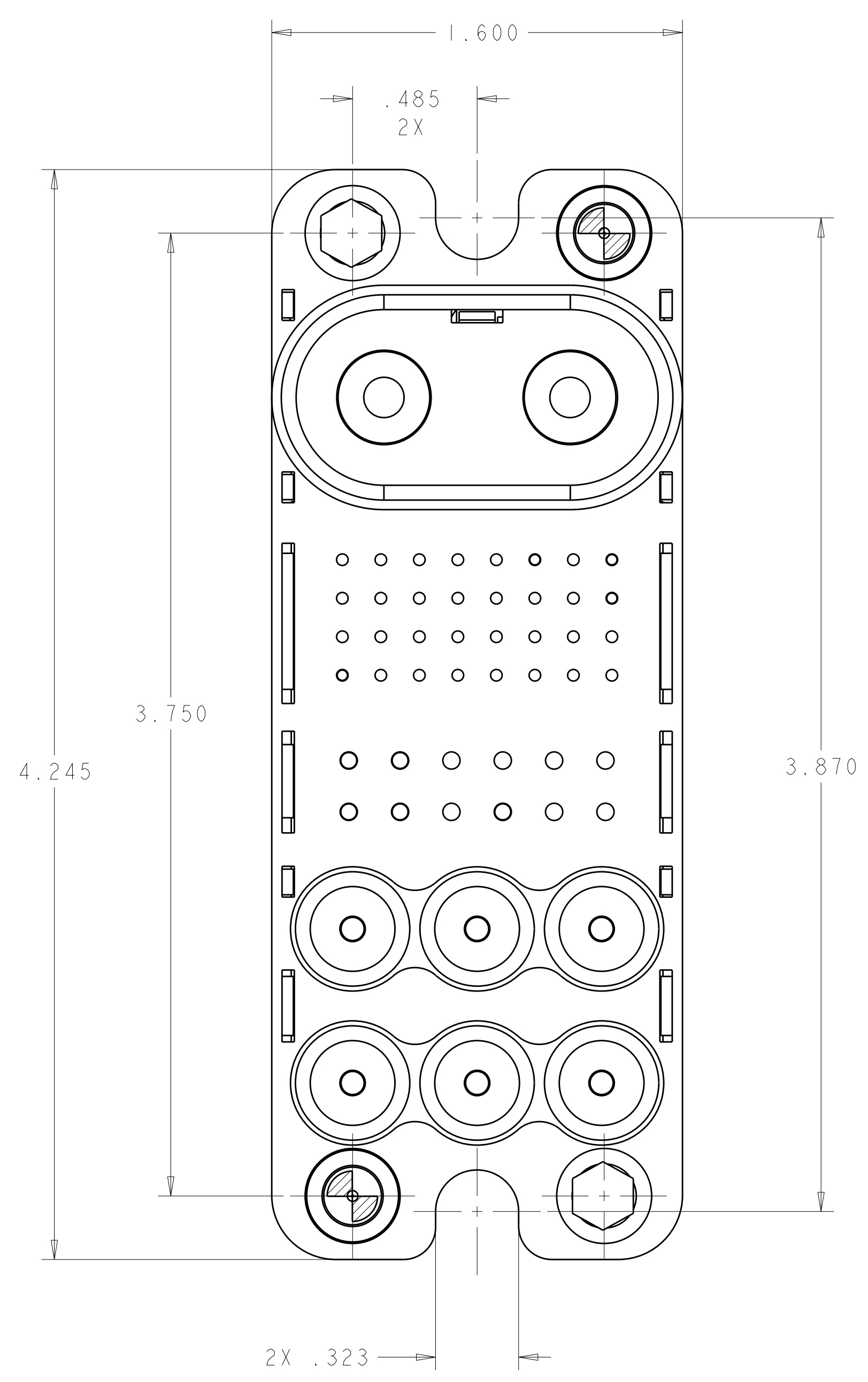


LOC	DIST	REVISIONS			
P	LTN	DESCRIPTION	DATE	DWN	APVD
GP	00	A	RELEASED	21SEP2009	RG DO
		B	REV PER ECO-11-008226	25APR2011	RG DO



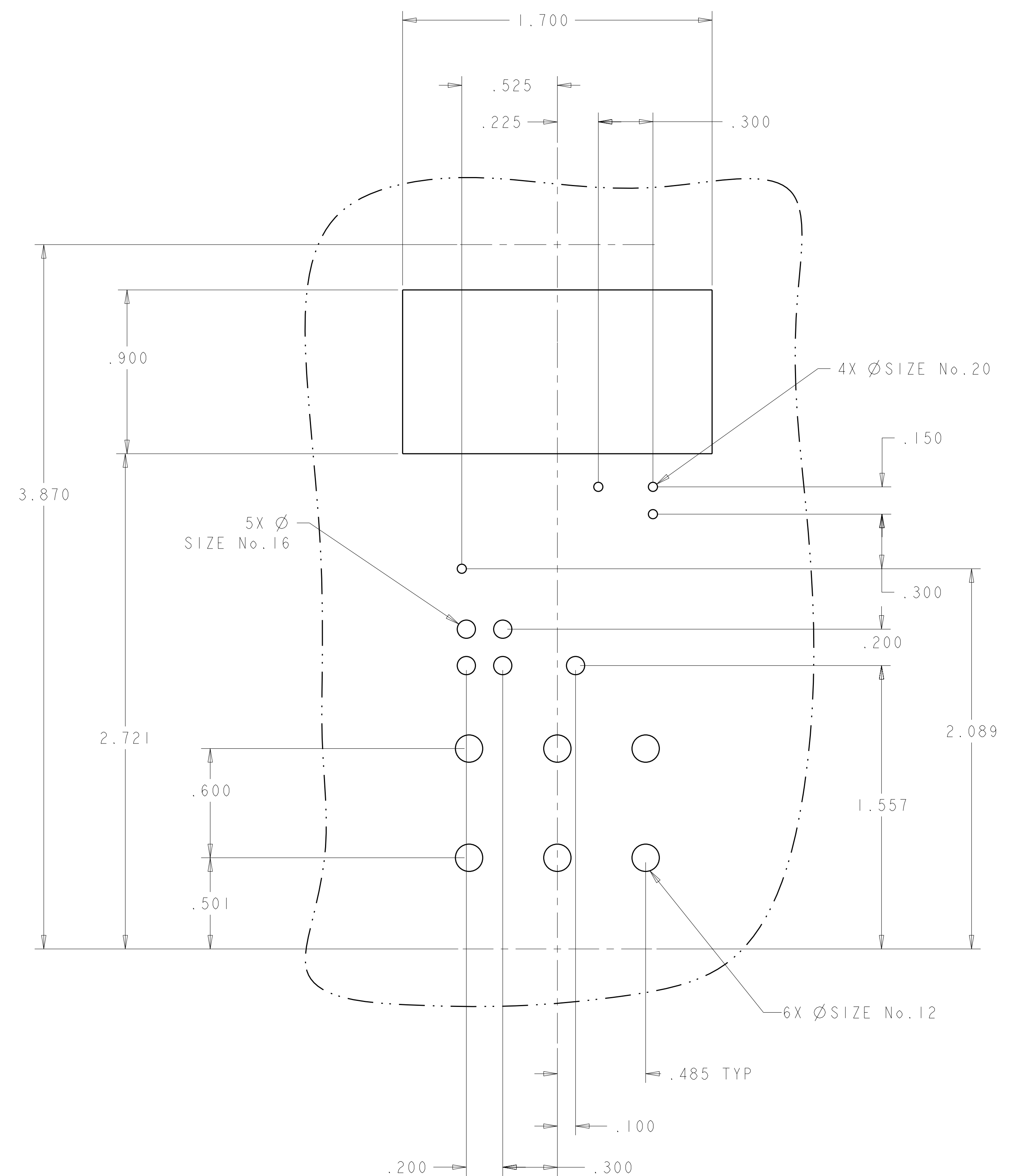
PIN CONTACT B SIZE #0
 PIN CONTACT C SIZE #20
 PIN CONTACT D SIZE #16
 PIN CONTACT E SIZE #12

6	1766245-1	CONTACT, PIN, #12, STANDARD, PCB TAIL	E
5	1766242-1	CONTACT, PIN, #16, PREMATE, PCB TAIL	D
4	1650226-1	CONTACT, PIN, #20, POST MATE, PCB TAIL	C
2	1766268-1	CONTACT, PIN, #0, 1/4-20 THD	B
1	1648571-2	CONNECTOR, PIN W/GUIDE PINS	A
-1	PART NUMBER	DESCRIPTION	ITEM

ELCON TOP DRAWER

DIMENSIONS: INCHES TOLERANCES UNLESS OTHERWISE SPECIFIED: 9 PLC ±.010 1 PLC ±.015 2 PLC ±.025 3 PLC ±.010 4 PLC ±.010 ANGLES ±.5° MATERIAL: - FINISH: -		DWN: R. GRZYBOWSKI CHK: D. ORRIS APVD: M. PERCHERKE PRODUCT SPEC: 108-2285 APPLICATION SPEC: 114-13206 WEIGHT: - CUSTOMER DRAWING		IOSEP109 IOSEP109 IOSEP109 NAME: PIN CONNECTOR ASSEMBLY SOLDER TAIL TOP DRAWER SIZE: A 00779 C=2085295 SCALE: 3:1 SHEET 1 OF 2 REV B	
--	--	---	--	---	--

LOC	DIST	REVISIONS					
GP	00	P	LTH	DESCRIPTION	DATE	DWN	APVD
		-	-	SEE SHEET 1	-	-	-



- PART NUMBER CHANGES AND OR DESIGN CHANGES AFFECTING THE INTERCHANGEABILITY REQUIRE PRIOR TYCO ELECTRONICS APPROVAL AND AUTHORIZATION BY REVISION TO THIS DRAWING.
- MATERIAL:
 INSULATOR: THERMOPLASTIC, GLASS REINFORCED, UL 94V-0
 FLAMMABILITY RATED, COLOR: BLACK
 PIN CONTACT SIZE No. 0 : COPPER ALLOY
 PIN CONTACT SIZE No. 12, 16 & 20 : BRASS ALLOY
 RETENTION CLIP: BERYLLIUM COPPER OR STAINLESS STEEL
 GUIDE PIN: STAINLESS STEEL
- FINISH:
 PIN CONTACTS SIZE#0, #16 & #12: SILVER PLATE .000200 MIN THK.
 OVER NICKEL .000040 MIN THK.
 PIN CONTACTS SIZE #20: GOLD PLATE .000030 MIN THK.
 OVER NICKEL .000040 MIN THK.

△ ITEMS PROVIDED TO THIS SPECIFICATION TO BE PERMANENTLY IDENTIFIED PER THE FOLLOWING IDENTIFIER:

YEAR 1 WEEK 1

TYCO ELECTRONICS P/N: XXXXXX-X DATE CODE (e.g. 0216): XXXX

- △ SOLDER TAIL CONTACTS (ITEMS C THRU D) ARE INSERTABLE/NON-REMOVABLE
 SIZE No. 0 (ITEM B) LOADED IN POSN. 1 AND 2
 SIZE No. 20 (ITEM C) LOADED IN POSN. 3, 5, 11 AND 34
 SIZE No. 16 (ITEM D) LOADED IN POSN. 39, 40, 43, 45 AND 46
 SIZE No. 12 (ITEM E) LOADED IN POSN. 47 THRU 52
- Symbol indicates location of guide pins.

SUGGESTED PC BOARD LAYOUT
 VIEW FROM CONNECTOR MOUNTING SIDE

HOLE SIZE #12
 FINISHED HOLE: $\phi .104 \pm .003$
 DRILLED HOLE: $\phi .1065 \pm .0005$
 COPPER PLATE: .0010 MIN
 TIN PLATE: .0002 MIN THK.

HOLE SIZE #16
 FINISHED HOLE: $\phi .072 \pm .003$
 DRILLED HOLE: $\phi .0745 \pm .0005$
 COPPER PLATE: .0010 MIN
 TIN PLATE: .0002 MIN THK.

HOLE SIZE #20
 FINISHED HOLE: $\phi .047 \pm .003$
 DRILLED HOLE: $\phi .0453 \pm .0005$
 COPPER PLATE: .0010 MIN
 TIN PLATE: .0002 MIN THK.

<small>THIS DRAWING IS UNPUBLISHED. RELEASED FOR PUBLICATION BY TYCO ELECTRONICS CORPORATION. ALL RIGHTS RESERVED.</small>		DWN: R. GRZYBOWSKI CHK: D. ORRIS APVD: M. PERCHERKE	10SEPT09 10SEPT09 10SEPT09	Tyco Electronics Harrisburg, PA 17105-3608
DIMENSIONS: INCHES	TOLERANCES UNLESS OTHERWISE SPECIFIED: 0 PLC ± 1 PLC ±.25 2 PLC ±.010 3 PLC ± 4 PLC ± ANGLES ±.45	PRODUCT SPEC: 108-2285 APPLICATION SPEC: 114-13206 WEIGHT: - CUSTOMER DRAWING	NAME: PIN CONNECTOR ASSEMBLY SOLDER TAIL TOP DRAWER	RESTRICTED TO: - SCALE: 3:1 SHEET 2 OF 2 REV B

单击下面可查看定价，库存，交付和生命周期等信息

[>>TE Connectivity\(泰科\)](#)