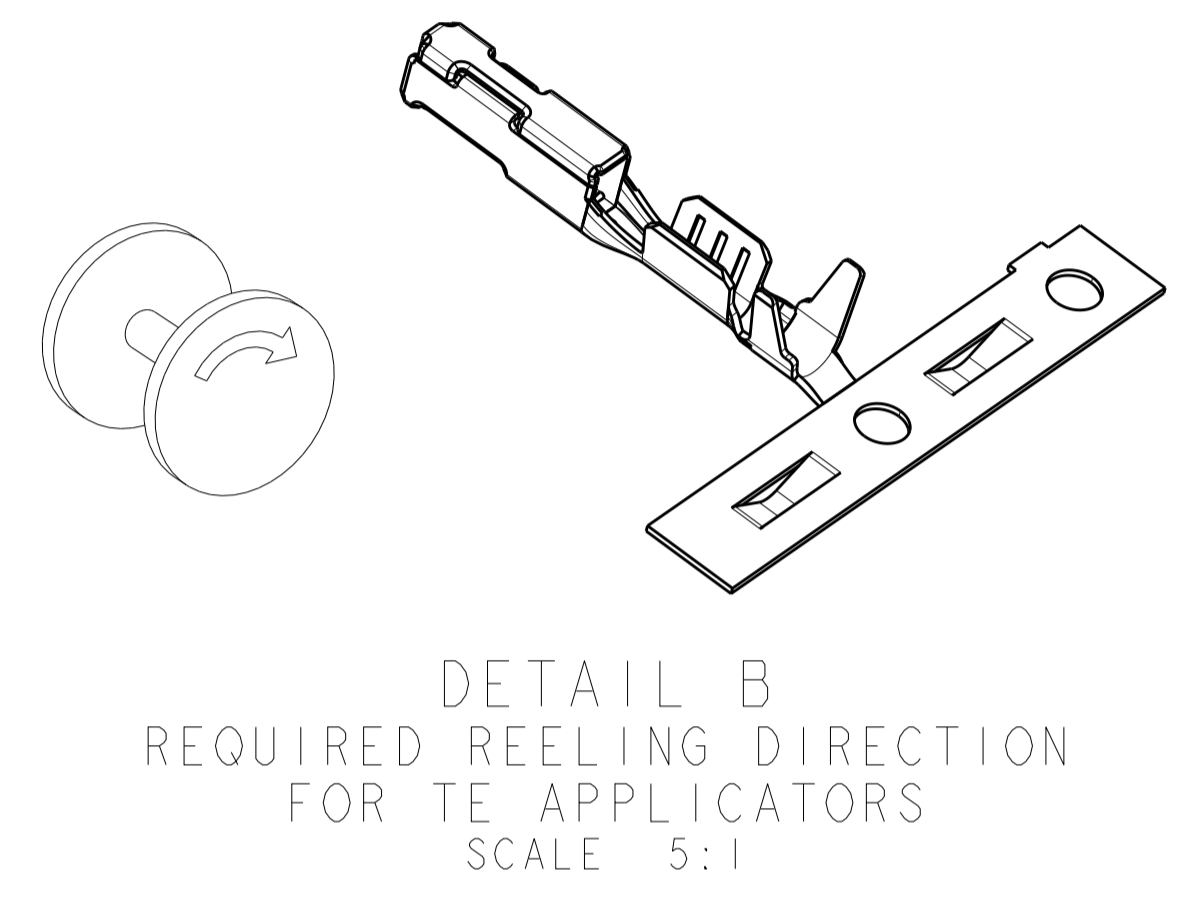
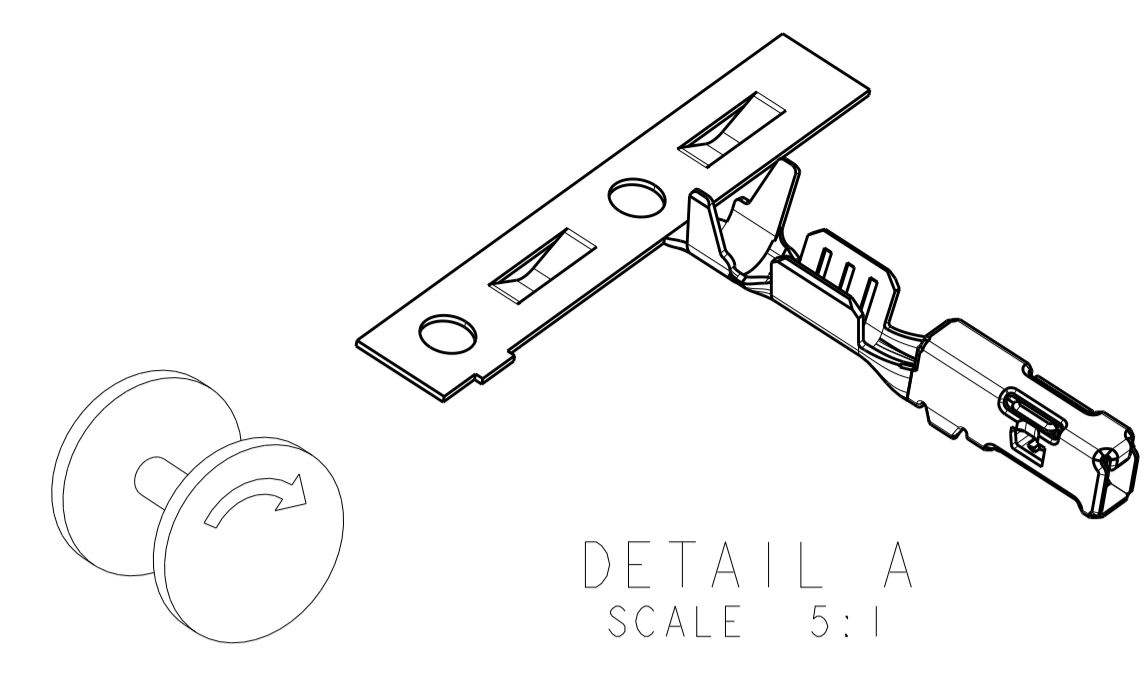
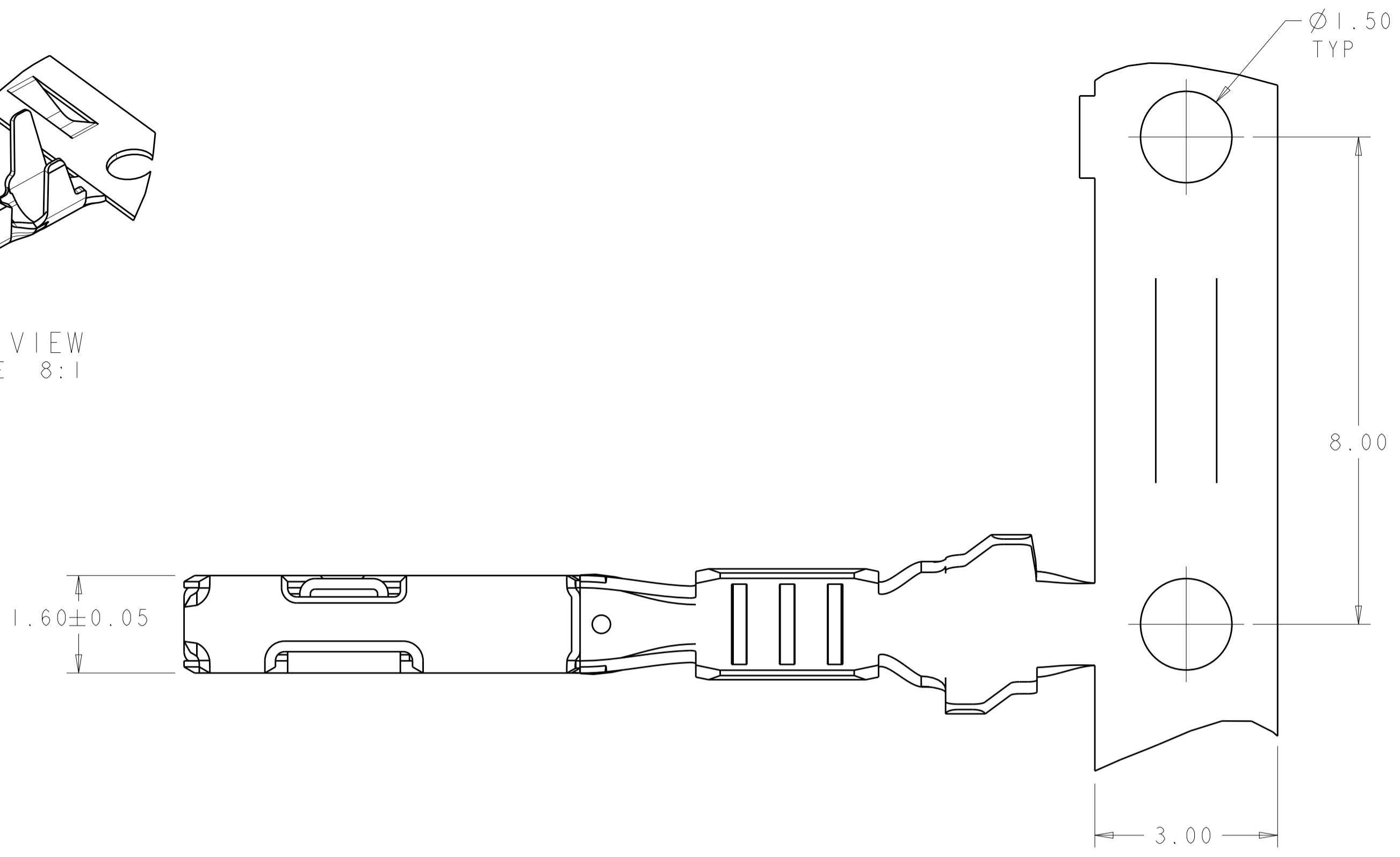
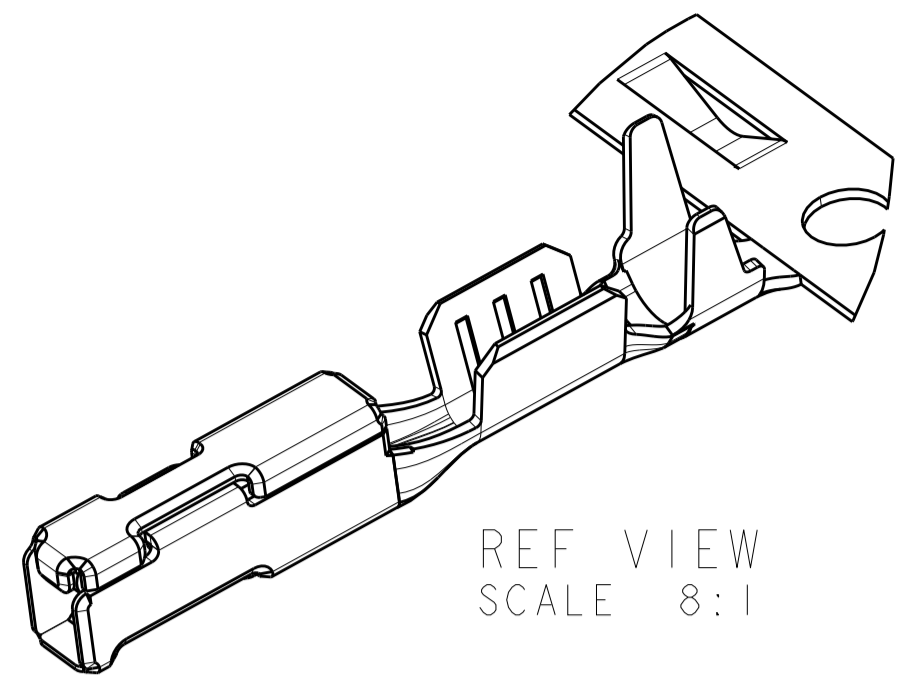
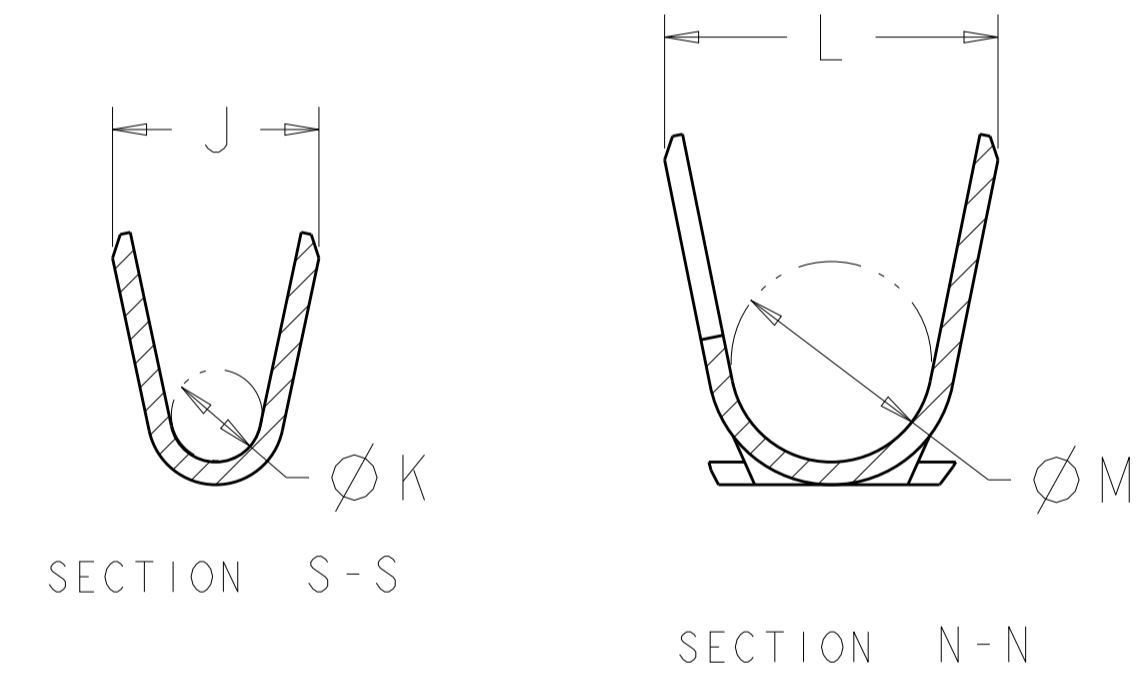
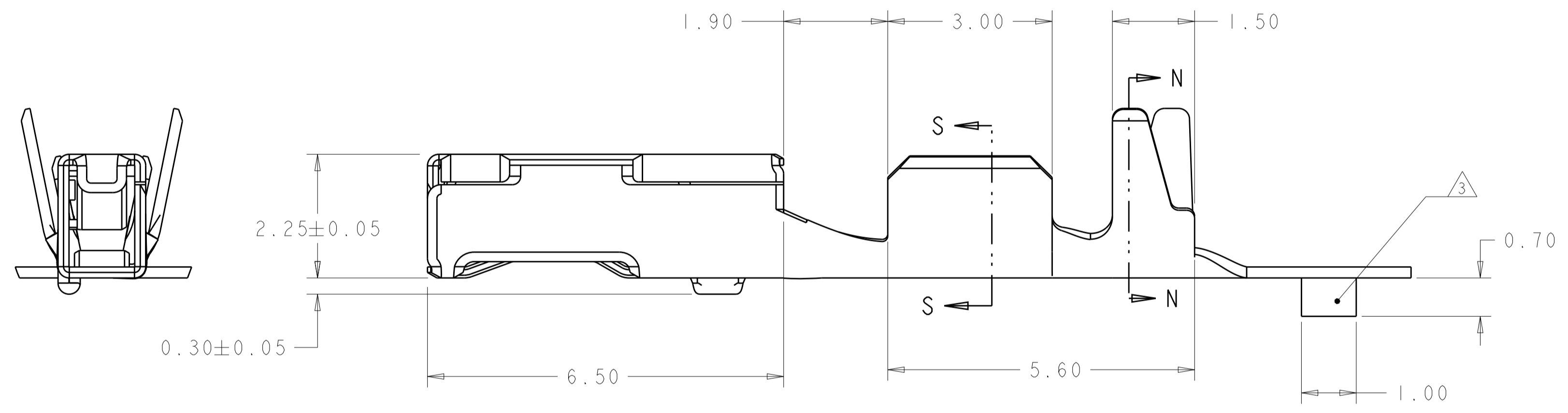


REVISIONS				
P.	LTN	DESCRIPTION	DATE	APVD
C		REVISED PER ECR-16-005516	25APR2016	DLD CJS



- △ MATERIAL: COPPER ALLOY.
- △ FINISH: PRE-PLATED WITH 1.00µm MIN BRIGHT TIN.
- △ MATERIAL ID FEATURE IN "DOWN" POSITION.
- 4. THE INTENDED TEMPERATURE RANGE FOR THIS TERMINAL IS -40°C TO +100°C.
- 5. TERMINAL HAS NYE LUBRICANTS NYETACT 568J-50-UV PERFORMANCE LUBE/GREASE APPLIED. THIS IS A WHITISH COLORED LUBE. AMOUNT AND VISIBILITY MAY VARY.
- △ NOT FOR SEALED APPLICATIONS.
- △ SEALING CAPABILITY MUST BE VALIDATED ON AN APPLICATION BASIS.



0.13mm ² = 0.85-1.05	DETAIL B	1.40	2.40	0.80	1.85	△ △	2X 0.13mm ² △	2035334-8
0.35mm ² = 1.10-1.40							0.35mm ² △	
0.85-1.05	DETAIL B	0.85	1.82	0.65	1.50	△ △	26 [0.13mm ²]	2035334-7 △
0.13mm ² = 0.85-1.05	DETAIL A	1.40	2.40	0.80	1.85	△ △	2X 0.13mm ² △	2035334-6
0.35mm ² = 1.10-1.40							0.35mm ² △	
0.85-1.05	DETAIL A	0.85	1.82	0.65	1.50	△ △	26 [0.13mm ²]	2035334-5 △
2.06 MAX	DETAIL B	1.78	2.94	1.00	1.96	△ △	18 [0.75mm ²]	2035334-4
1.50-1.85	DETAIL B	1.78	2.94	0.80	1.82	△ △	20-22 [0.5-0.35mm ²]	2035334-3
2.06 MAX	DETAIL A	1.78	2.94	1.00	1.96	△ △	18 [0.75mm ²]	2035334-2
1.50-1.85	DETAIL A	1.78	2.94	0.80	1.82	△ △	20-22 [0.5-0.35mm ²]	2035334-1
INSULATION DIAMETER	REELING	M	L	K	J	FINISH	WIRE SIZE	PART NUMBER

THIS DRAWING IS A CONTROLLED DOCUMENT.

DWN: R. VESTAL 01JUL2008
 CHK: C. SCHMID 01JUL2008
 APVD: C. SCHMID 01JUL2008

TE Connectivity

CONTACT, FEMALE, 0.64, GENERATION Y SEALED APPLICATIONS

PRODUCT SPEC: 108-2296
 APPLICATION SPEC: 114-13183

SIZE: A1
 CAGE CODE: 00779
 DRAWING NO: 2035334

SCALE: 15:1 SHEET: 1 OF 1 REV: C

单击下面可查看定价，库存，交付和生命周期等信息

[>>TE Connectivity\(泰科\)](#)