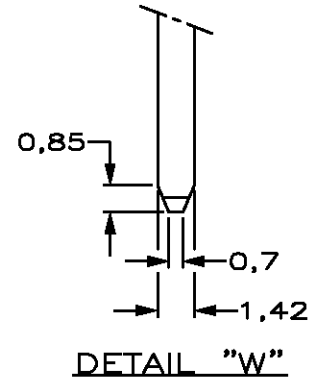
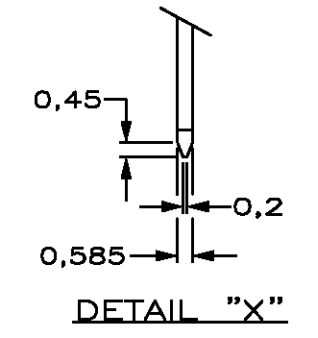
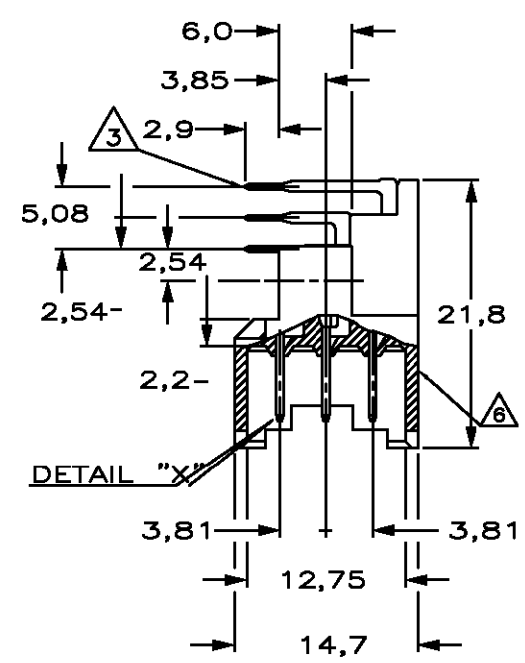


DO NOT SCALE
DIMENSIONS IN mm

METRIC



POS. NO	2	4	6	8	10	12	14	16	18	20	22	24	26	28	30	32
F 48 ROW N	X	X	X	X	X	X	X	X	X	X	X	X	X	X	X	X
D	X	X	X	X	X	X	X	X	X	X	X	X	X	X	X	X
O	X	X	X	X	X	X	X	X	X	X	X	X	X	X	X	X

AN ASTERISK „X” DENOTES A STANDARD CONTACT.

- NOTES
- 1 MATERIAL:
-HOUSING: THERMOPLASTIC POLYESTER, COLOR GREY.
-CONTACTS: BRASS.
 - 2 PLATING CONTACT: 1,25 μm Au OVER 1,25 μm Ni IN CONTACT AREA.
Sn over 1,25 μm Ni ON SOLDER POST.
 - 3 SOLDER POSTS SUITABLE FOR P.C.B. HOLES
0,8±0,05 OR 1,0±0,1 DIA.
 - 4 8 HOLES SUITABLE FOR KEYING PIN PN. 215916-1.
 - 5 KEYING HOLES TO BE DRILLED BY CUSTOMER.
 - 6 PRINTING AT THIS SIDE.

		SEE NOTE 2	SEE NOTE 1	106351-1
		FINISH	MATERIAL	PARTNUMBER
-	-	-	-	CUSTOMER DRAWING FOR REFERENCE ONLY WILL NOT BE UPDATED
-	-	-	-	© COPYRIGHT 19 - BY Tyco Electronics EC N.V. ALL INTERNATIONAL RIGHTS RESERVED. AMP PRODUCTS MAY BE COVERED BY U.S. AND FOREIGN AND/OR PATENTS PENDING. THIS DRAWING IS UNPUBLISHED RELEASED FOR PUBLICATION 19
B	REVISED PER ECO-20-012547	R.Z	H.L	04NOV2020
A	SR10-0015-01	BC	BC	11-01-01
O	H-9853	R.v.L	J.v.G	25.05.93
LTR.	REVISION RECORD	DR.	CHK.	DATE
DR.:	R.V.LOKVEN	CHK.:	J.V.GRUNSVEN	APP.: LV.SOET
DATE:	25.05.93	DATE:	25.05.93	DATE:
DWG.No. C-106351		REV.LTR. B	SHEET 1 of 1	A3

单击下面可查看定价，库存，交付和生命周期等信息

[>>TE Connectivity\(泰科\)](#)