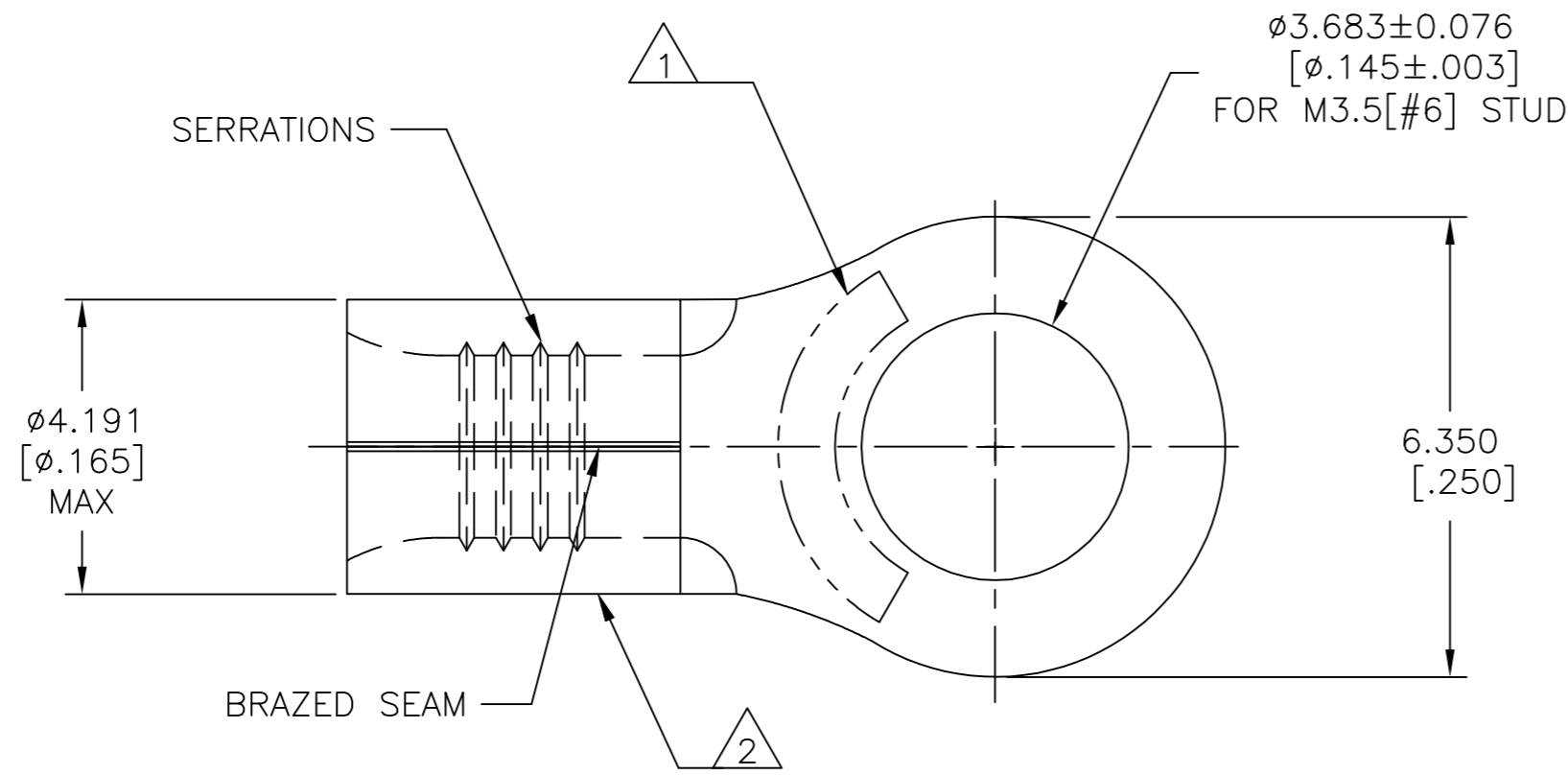


THIS DRAWING IS UNPUBLISHED. RELEASED FOR PUBLICATION
 © COPYRIGHT - TE Connectivity Ltd. ALL RIGHTS RESERVED.

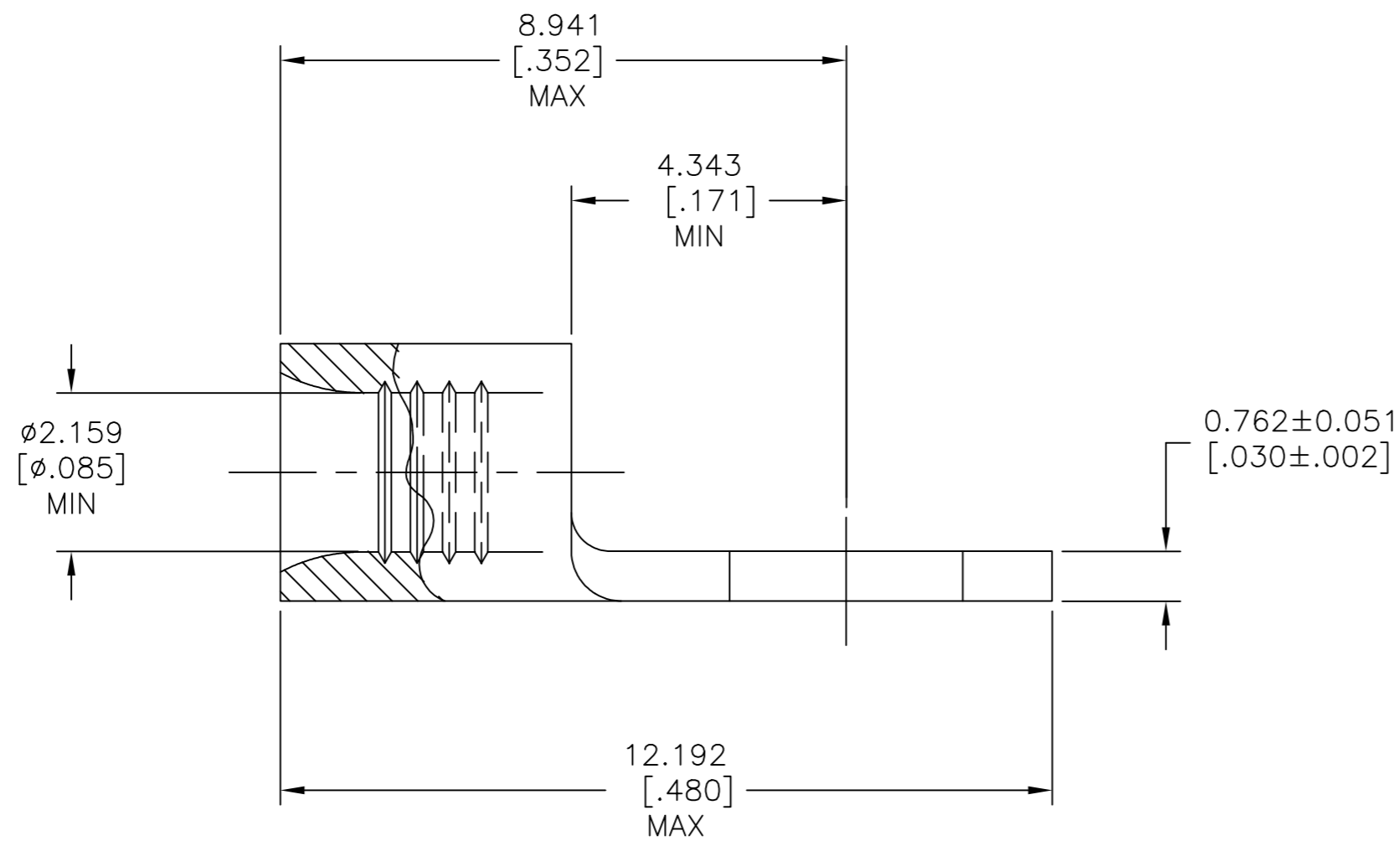
REVISIONS					
P	LTR	DESCRIPTION	DATE	DWN	APVD
	L	REV PER ECR 09-027862	23DEC09	JR	TM
	L1	REVISED PER ECO-17-008808	09MAR2018	RS	DR



AMP
 WIRE RANGE

16-14 AWG
 SOLID OR STRANDED

- 1 STAMP AMP 16-14 APPROX AS SHOWN
- 2 WIRE BARREL COLOR CODED ORANGE TO DENOTE NICKEL MATERIAL
- 3 NO COLOR CODING
- 4 NICKEL PER ASTM B162, ANNEALED



5000	ON TAPE	2-322329-2
1000	LOOSE PIECE	2-322329-1
1000	LOOSE PIECE	322329
QTY	PACKAGE TYPE	PART NO.

CUSTOMER SERVICE SYSTEMS		MAX RECOMMENDED OPERATING TEMPERATURE:
FOR ADDITIONAL PRODUCT INFORMATION OR COPIES OF DRAWINGS AND TECHNICAL DOCUMENTS	PRODUCT INFORMATION CENTER 1-800-522-6752	649°C [1200°F]
FOR APPLICATION TOOLING INFORMATION	TOOLING ASSISTANCE CENTER 1-800-722-1111	VOLTAGE RATING: N/A
FOR ORDER ENTRY	1-800-526-5142	CIRCULAR MIL AREA: 1.04-2.62mm ² [2,050-5,180] SOLID OR STRANDED

THIS DRAWING IS A CONTROLLED DOCUMENT FOR AMP INCORPORATED. IT IS SUBJECT TO CHANGE AND THE CONTROLLING ENGINEERING ORGANIZATION SHOULD BE CONTACTED FOR THE LATEST REVISION.

DIMENSIONS:		TOLERANCES UNLESS OTHERWISE SPECIFIED:	
mm	[INCHES]	0 PLC	± -
		1 PLC	± -
		2 PLC	± -
		3 PLC	± 0.127 [0.005]
		4 PLC	± -
		ANGLES	± -
		FINISH	-

THIS DRAWING IS A CONTROLLED DOCUMENT.		DWN		TE Connectivity Ltd.	
		TA BRINKMAN	4-15-93		
		DA PATTERSON	4-15-93		
		JL MECKLEY	4-15-93		
		PRODUCT SPEC			
		APPLICATION SPEC		NAME: TERMINAL, RING TONGUE, HIGH TEMPERATURE, STRATO-THERM™ 16-14 AWG	
		WEIGHT		SIZE	A2
		CUSTOMER DRAWING		CAGE CODE	00779
				DRAWING NO	C=322329
				RESTRICTED TO	-
				SCALE	10:1
				SHEET	1 of 1
				REV	L1

单击下面可查看定价，库存，交付和生命周期等信息

[>>TE Connectivity\(泰科\)](#)