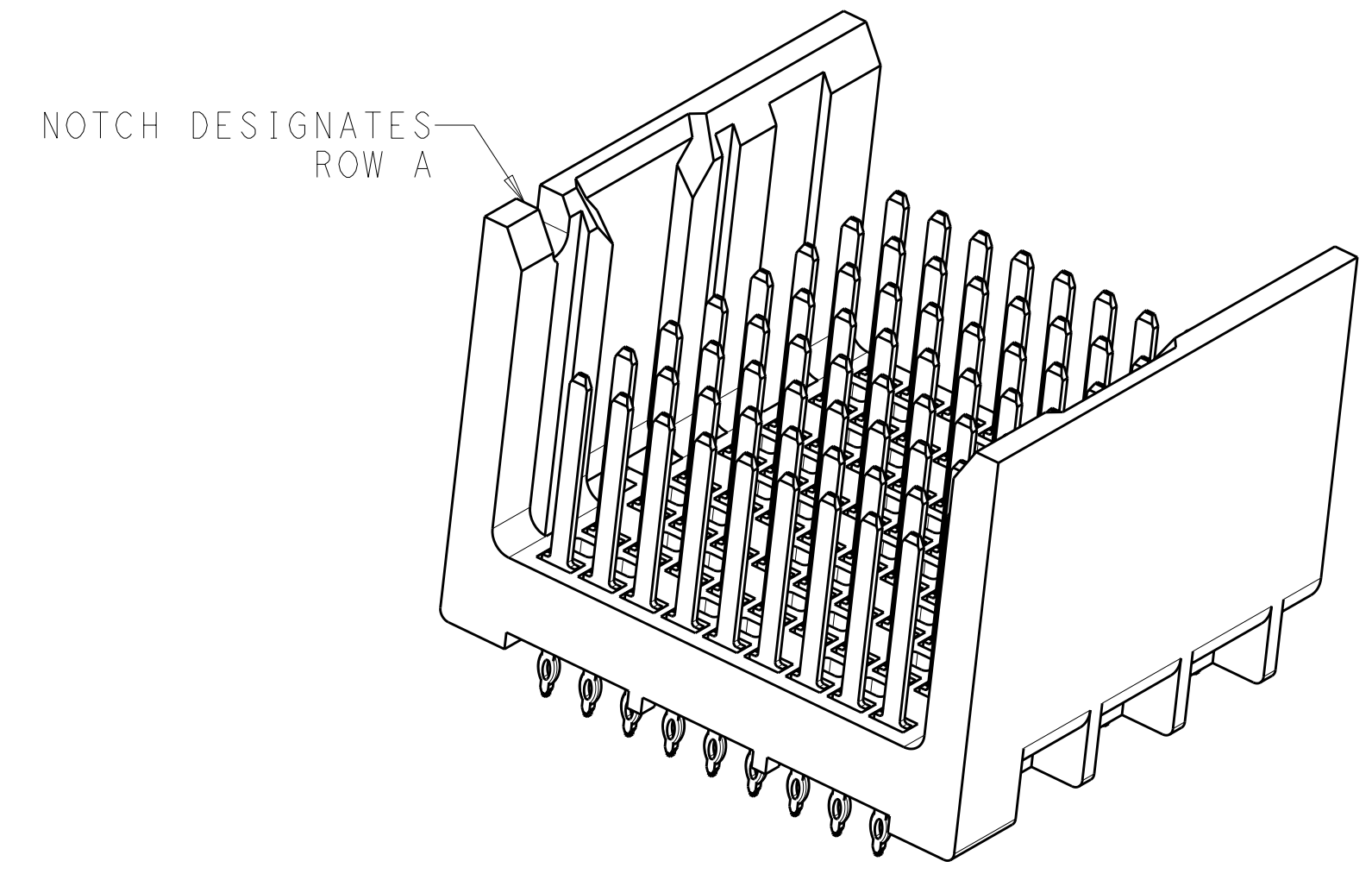
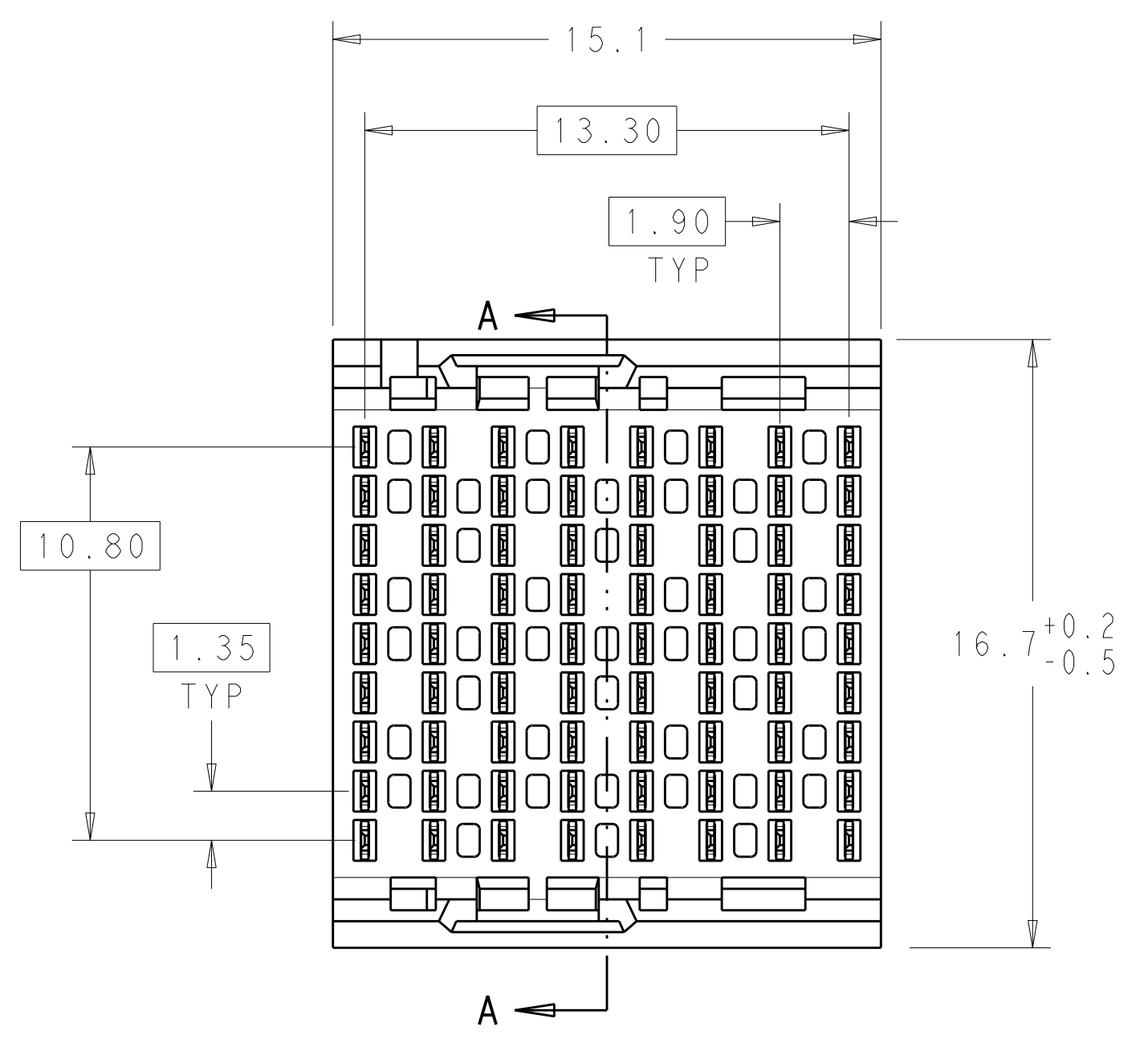
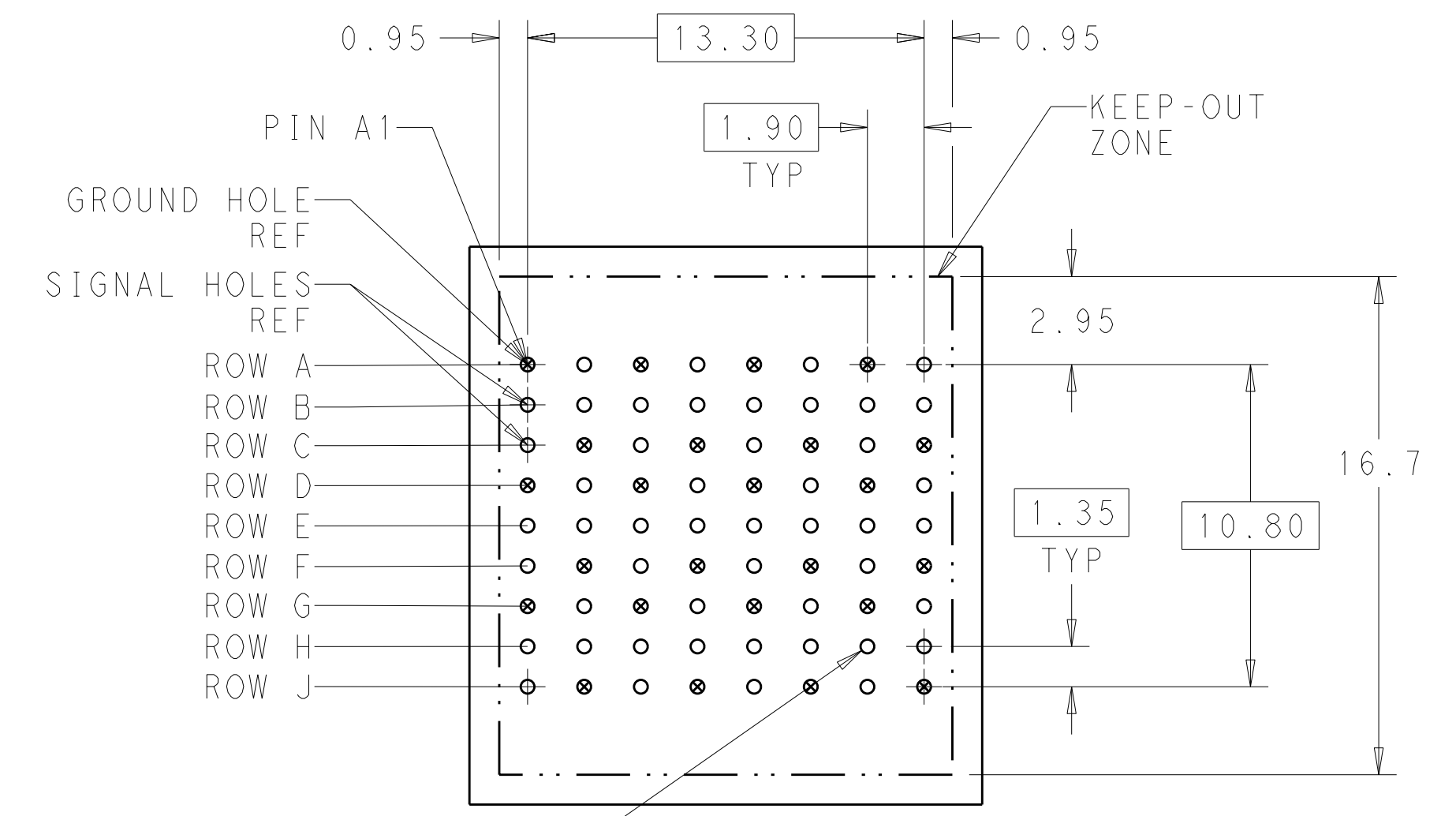


| LOC | DIST | REV | DATE | BY | APPD |
|-----|------|--------------------------|---------|-----|------|
| AD | 00 | C | 05JAN12 | KH | DY |
| | | REVISIONS | | | |
| | | DESCRIPTION | DATE | DWN | APPD |
| | | REVISD PER ECO-11-025276 | 05JAN12 | KH | DY |

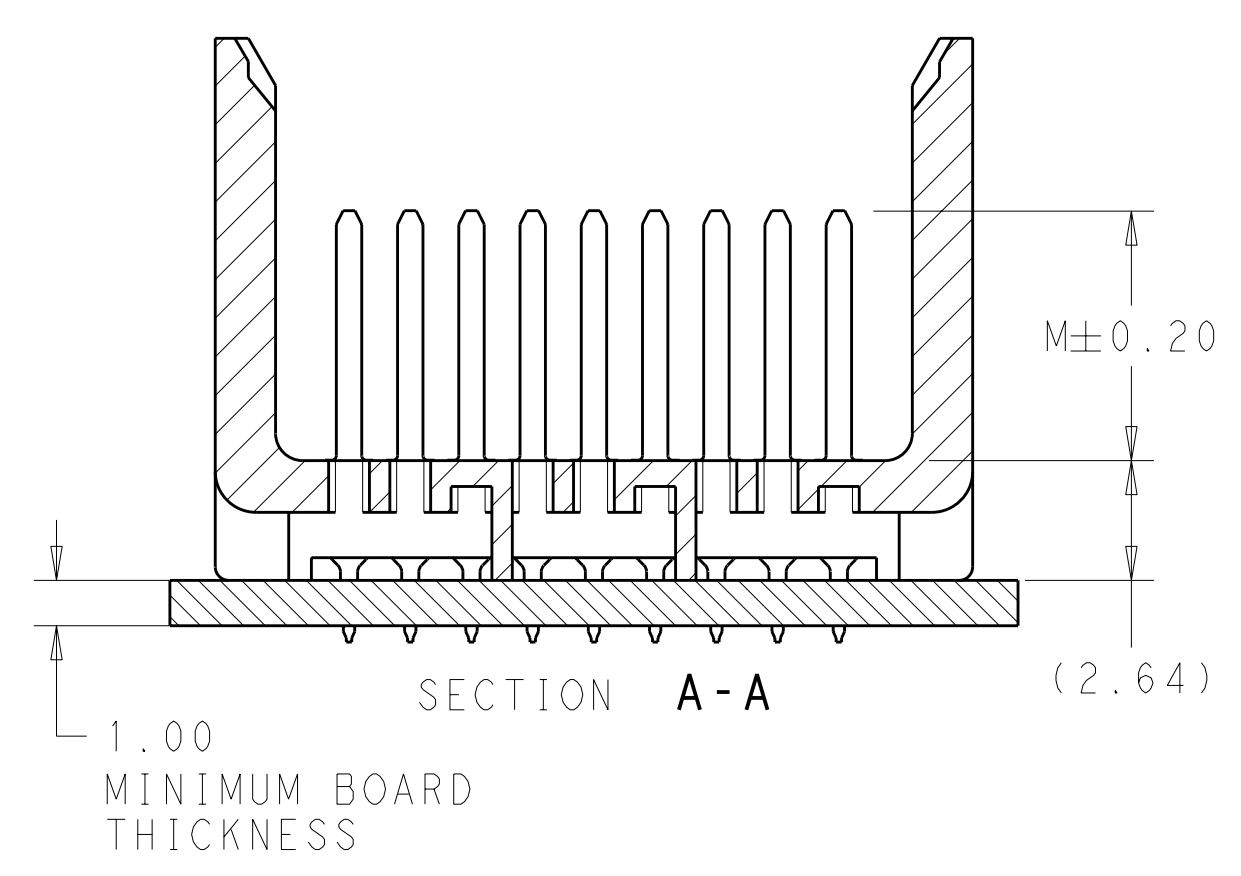
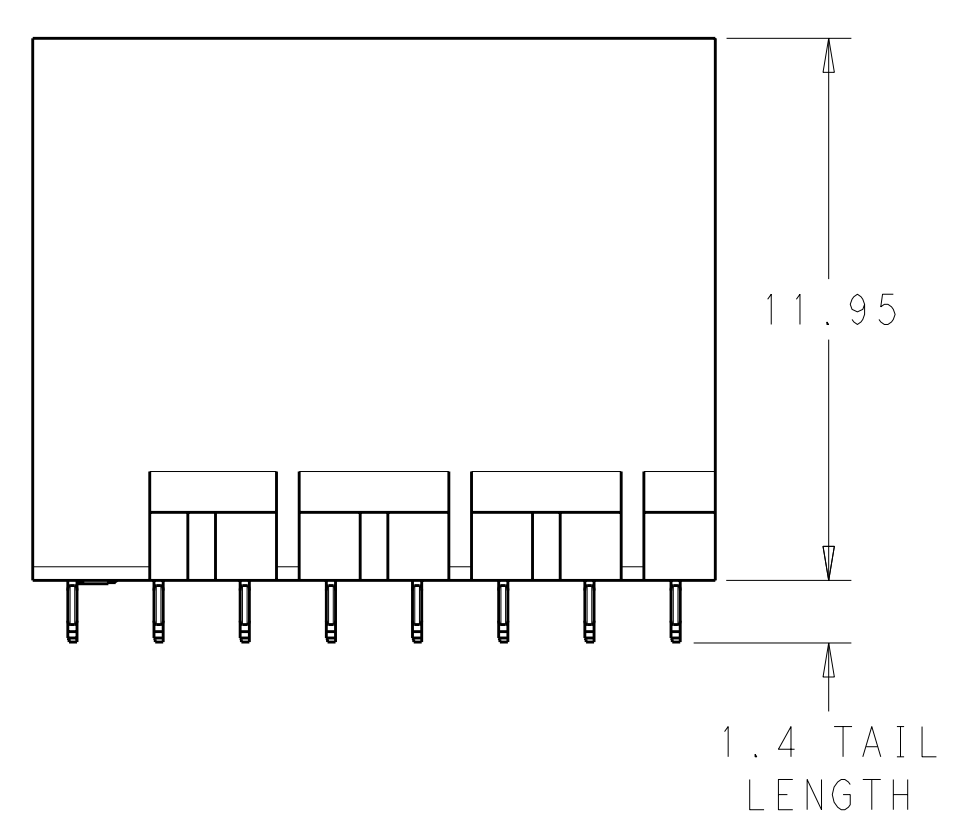


- 1 MATERIAL:
HOUSING: LCP, GLASS FILLED, UL94V-0.
TERMINALS: HIGH PERFORMANCE COPPER ALLOY.
- 2 FINISH:
30μ" MIN GOLD IN CONTACT AREA. SELECTIVE TIN
ON PCB TAILS, NICKEL OVERALL.
- 3 FINISH:
30μ" MIN GOLD IN CONTACT AREA. SELECTIVE TIN-LEAD
ON PCB TAILS, NICKEL OVERALL.



72X Ø0.46±0.05
 Ⓢ Ø0.10
 PLATED THRU HOLE

UNGUIDED
 BACKPLANE HOLE PATTERN
 (CONNECTOR SIDE)




| | | | | |
|--|--|------------------|----------------------------------|---------------|
| THIS DRAWING IS A CONTROLLED DOCUMENT. | | DWN | J. K. SHOBER | 11JAN2011 |
| DIMENSIONS: | | CHK | J. EARY | 11JAN2011 |
| mm | TOLERANCES UNLESS OTHERWISE SPECIFIED: | APVD | J. EARY | 11JAN2011 |
| ⌀ | 0 PLC ± | PRODUCT SPEC | NAME | |
| ⌀ | 1 PLC ±0.25 | APPLICATION SPEC | IMPACT, 3 PAIR, 8 COLUMN, HEADER | |
| ⌀ | 2 PLC ±0.13 | WEIGHT | UNGUIDED, OPEN END WALL | |
| ⌀ | 3 PLC ± | CUSTOMER DRAWING | SIGNAL MODULE, 0.46 PTH | |
| ⌀ | 4 PLC ± | SCALE | 6:1 | SHEET 1 OF 2 |
| ⌀ | ANGLES ± | REV | C | |
| MATERIAL | FINISH | SIZE | A100779C=2057760 | RESTRICTED TO |
| SEE TABLE | SEE TABLE | SCALE | 6:1 | SHEET 1 OF 2 |

THIS DRAWING IS UNPUBLISHED. RELEASED FOR PUBLICATION 20
 © COPYRIGHT 20 . . . ALL RIGHTS RESERVED.

| LOC | DIST | REVISIONS | | | | | |
|-----|------|-----------|-----|-------------|------|-----|------|
| AD | 00 | P | LTB | DESCRIPTION | DATE | DWN | APVD |
| | | - | - | SEE SHEET 1 | - | - | - |
| | | | | | | | |
| | | | | | | | |

| FINISH | DIM M | PART NUMBER |
|---------------|-------|-------------|
| \triangle_3 | 5.5 | 2057760-6 |
| \triangle_3 | 4.9 | 2057760-5 |
| \triangle_3 | 4.5 | 2057760-4 |
| \triangle_2 | 5.5 | 2057760-3 |
| \triangle_2 | 4.9 | 2057760-2 |
| \triangle_2 | 4.5 | 2057760-1 |

REFER TO WWW.TE.COM
FOR PRODUCT AVAILABILITY

| | | | |
|--|-----------|----------------------------------|---|
| THIS DRAWING IS A CONTROLLED DOCUMENT. | | DWN J. K. SHOBER 11JAN2011 |  TE Connectivity |
| DIMENSIONS: mm | | CHK J. EABY 11JAN2011 | |
| TOLERANCES UNLESS OTHERWISE SPECIFIED: 9 PLC ± 7 PLC ±0.25 5 PLC ±0.13 4 PLC ± ANGLES ± FINISH SEE TABLE | | APVD J. EABY 11JAN2011 | NAME IMPACT, 3 PAIR, 8 COLUMN, HEADER UNGUIDED, OPEN END WALL SIGNAL MODULE, 0.46 PTH |
| MATERIAL - | SEE TABLE | PRODUCT SPEC - | APPLICATION SPEC - |
| CUSTOMER DRAWING | | WEIGHT - | RESTRICTED TO - |
| | | SIZE A100779 | DRAWING NO C=2057760 |
| | | SCALE 5:1 | SHEET 2 OF 2 |
| | | REV C | |

单击下面可查看定价，库存，交付和生命周期等信息

[>>TE Connectivity\(泰科\)](#)