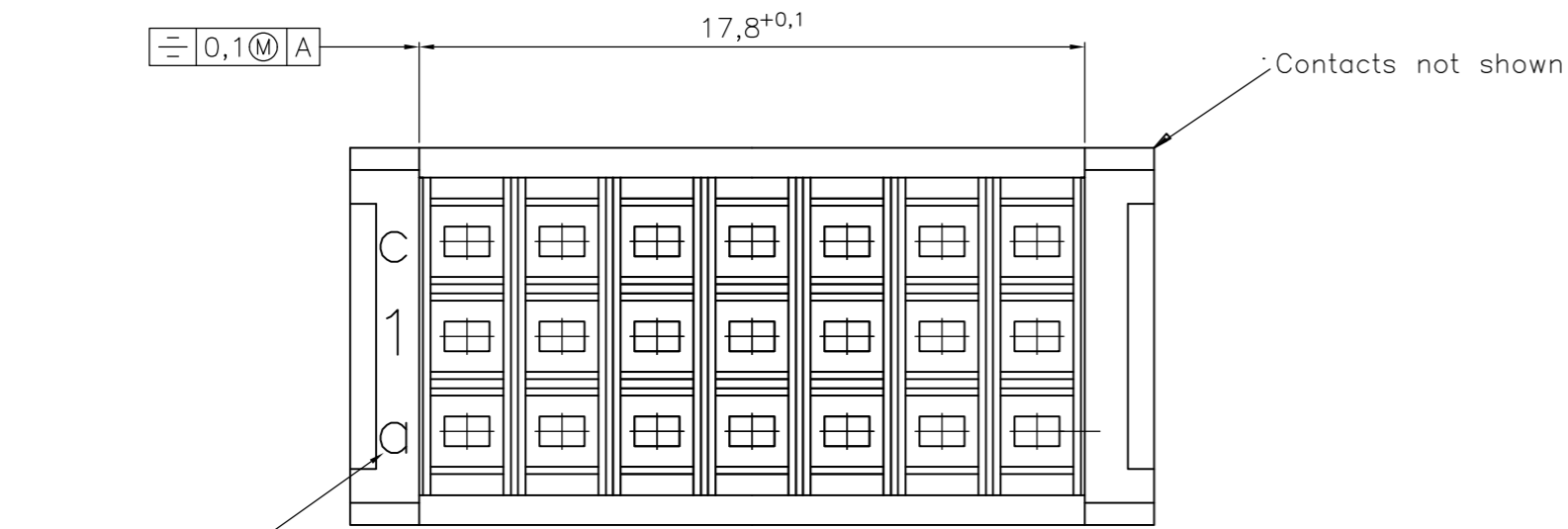
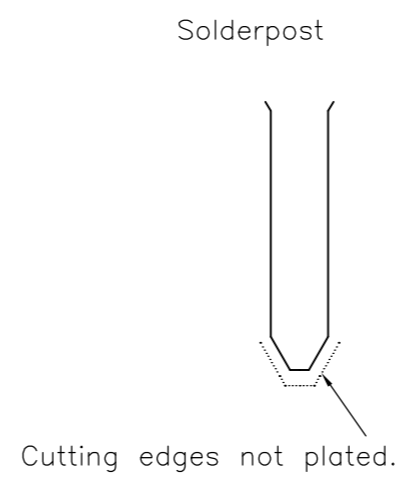


THIS DRAWING IS UNPUBLISHED. RELEASED FOR PUBLICATION
 © COPYRIGHT BY TYCO ELECTRONICS CORPORATION. ALL INTERNATIONAL RIGHTS RESERVED.

LOC	DIST	REVISIONS					
		P	LTR	DESCRIPTION	DATE	DWN	APVD
H	-		A	WO 00/7012	20-07-09	-	VS
			B	SR10-0250-02	24-05-02	-	BC
			B1	ECR-09-015706	24-11-09	AEG	MKO



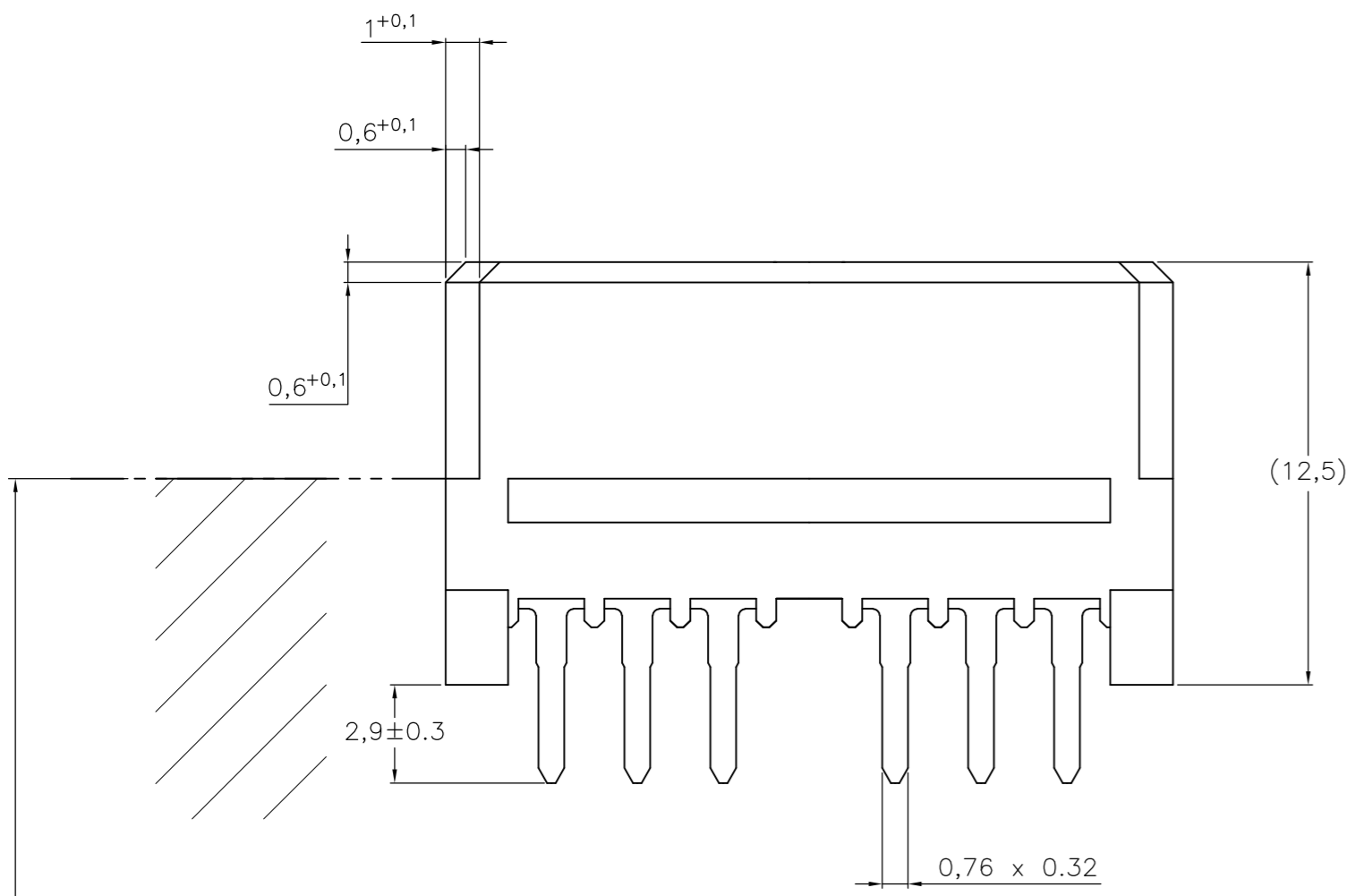
Marking E2-8
 DIN 30640;
 0.2 raised.



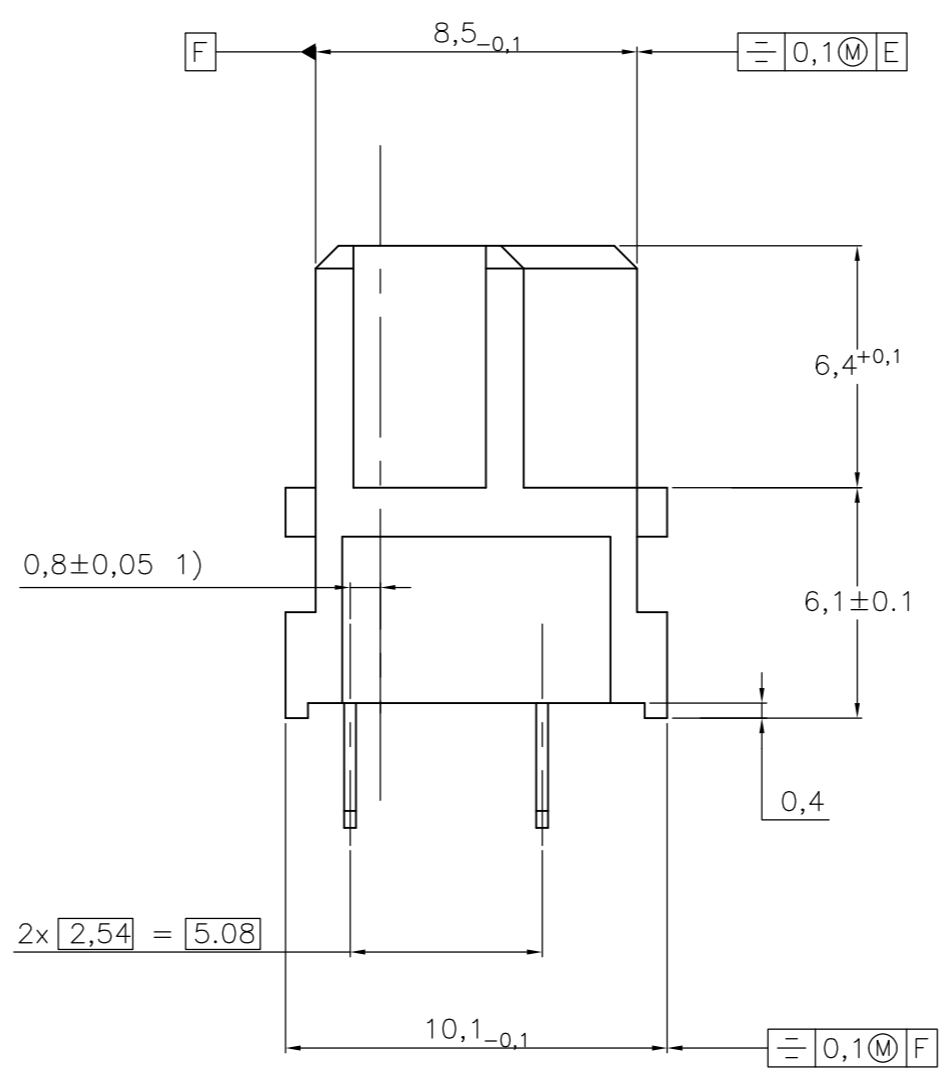
Loading Pattern (12 contacts)

	1	2	3	4	5	6	7
Row a	+	+	+	o	+	+	+
Row b	o	o	o	o	o	o	o
Row c	+	+	+	o	+	+	+

+ = contact
 o = no contact



Immersion-depth
 for anti-flux treatment

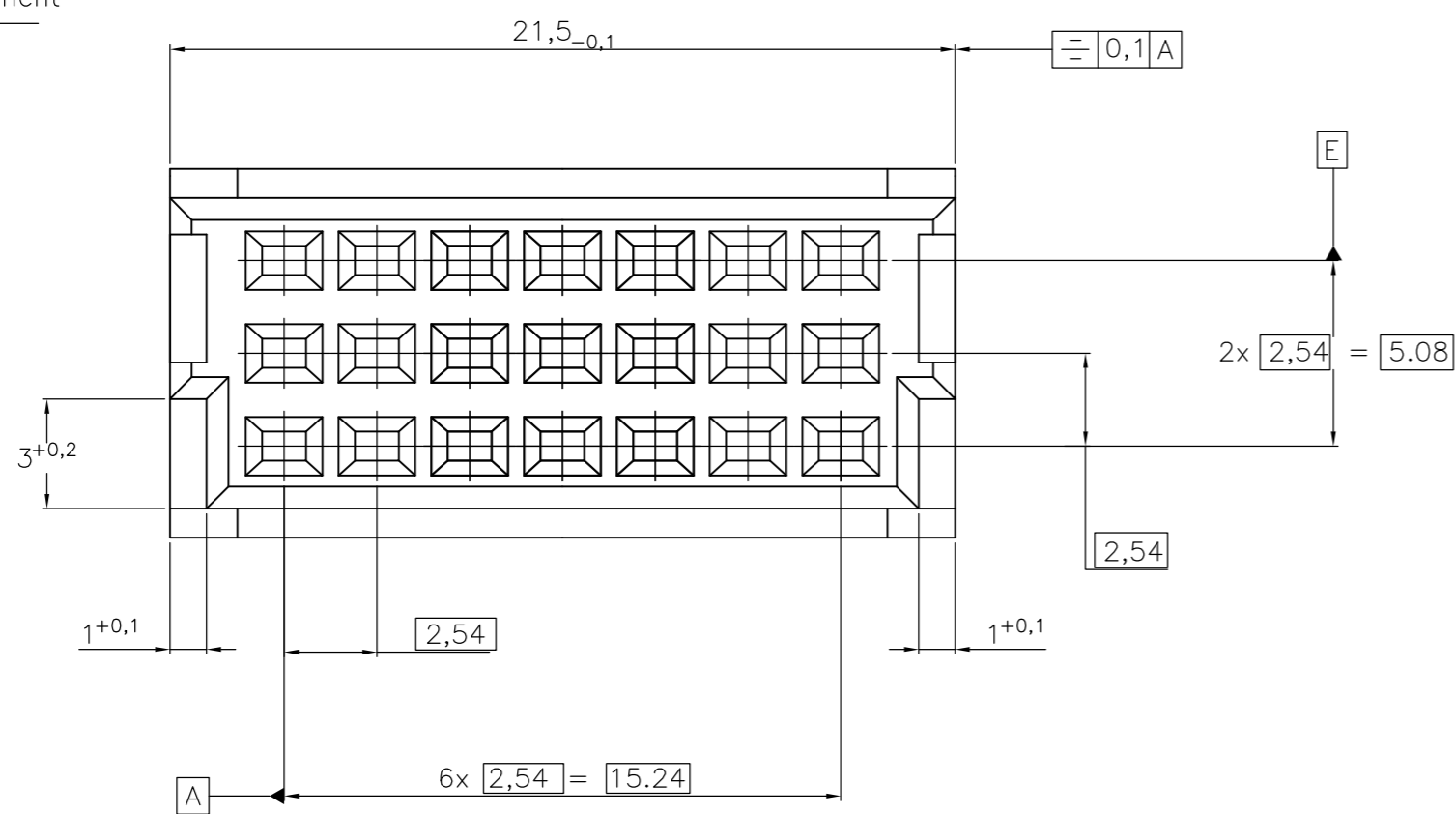


Specifications acc. IEC 603-2. Performance Level 2

Housing : PBTP 30% Glasfilled (UL94-V0)
 Pebblegrey similar RAL 7032

Contact material : Copper Alloy

Plating : Contact area : PdNi+Au or Au
 Termination area : Sn
 with flux-tight coating.



1) Center-displacement between termination- and contact-side.

Active Partnumber. Contact Tyco Electronics for other configuration availability

Old Partnumber	TE part number
V42254-F2299-R3	1393657-2

THIS DRAWING IS A CONTROLLED DOCUMENT.		DWN 10JUN98	Tyco Electronics Corporation 's-Hertogenbosch, Nederland	
DIMENSIONS: mm		CHK -	NAME	
TOLERANCES UNLESS OTHERWISE SPECIFIED:		APVD PD_COM	Receptacle Ass'y, Type R, 21 pos.	
0 PLC ± -	1 PLC ± -	PRODUCT SPEC	V42254-F2299-R3-*--26	
2 PLC ± -	3 PLC ± -	APPLICATION SPEC	SIZE A2	CAGE CODE 00779
4 PLC ± -	ANGLES ± -	WEIGHT -	DRAWING NO C=1393657-2	RESTRICTED TO -
MATERIAL -	FINISH -	CUSTOMER DRAWING	SCALE 5:1;10:1	SHEET 1 of 1
			REV B1	

单击下面可查看定价，库存，交付和生命周期等信息

[>>TE Connectivity\(泰科\)](#)