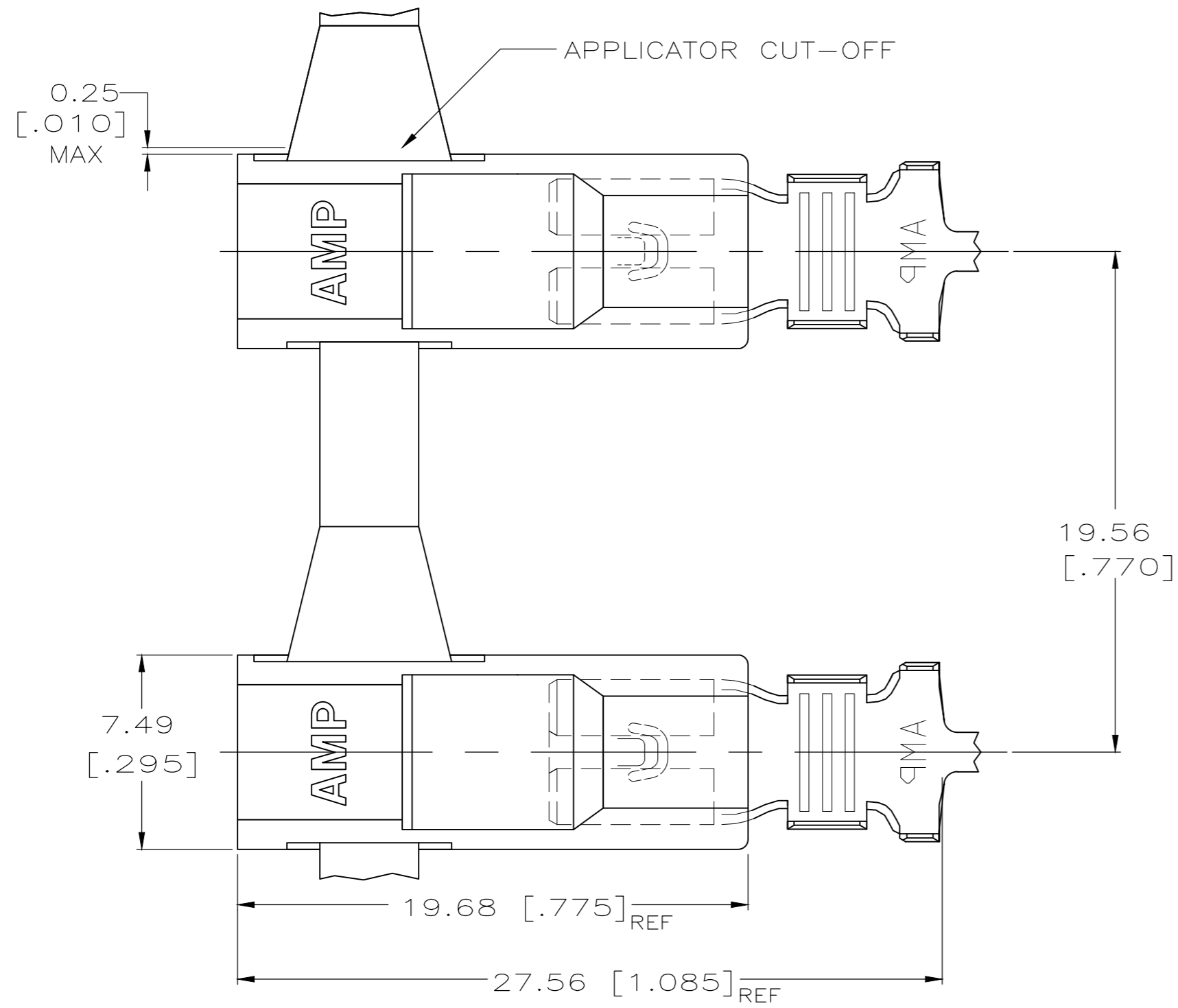
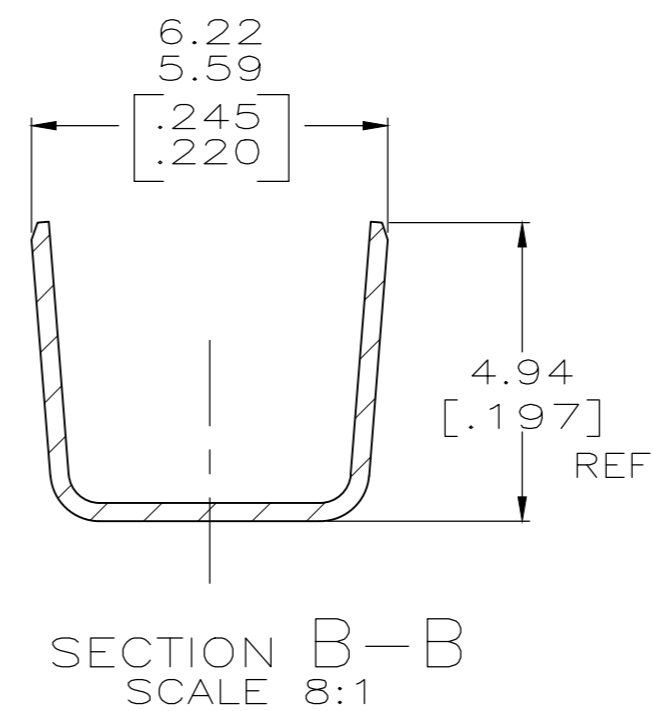
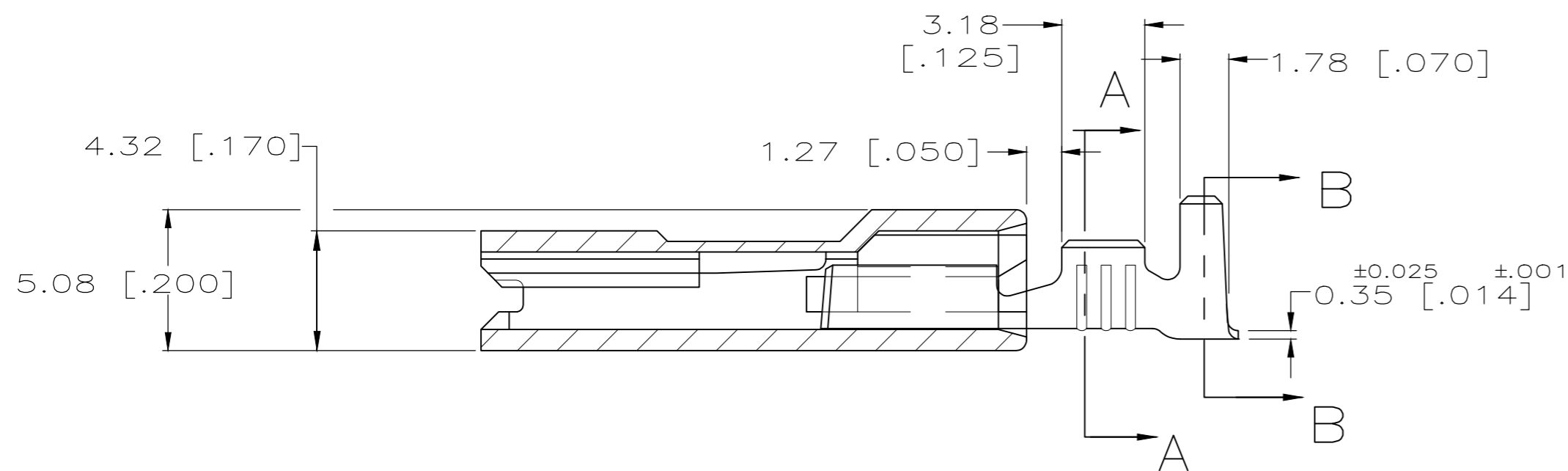
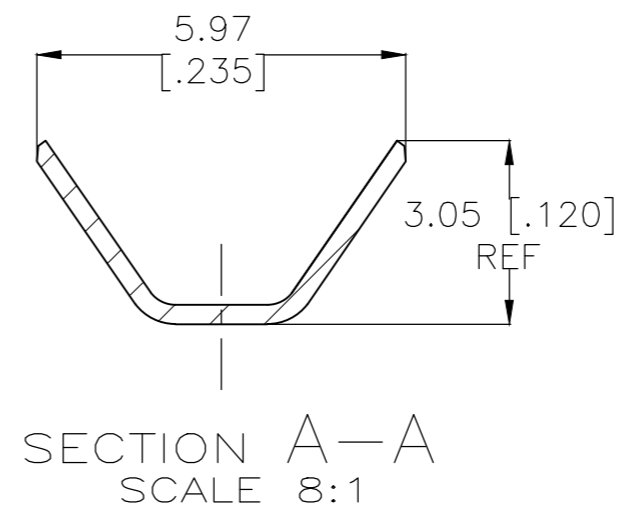


THIS DRAWING IS UNPUBLISHED. RELEASED FOR PUBLICATION  
 © COPYRIGHT - By - ALL RIGHTS RESERVED.

LOC		DIST		REVISIONS			
P	LTR	DESCRIPTION		DATE	DWN	APVD	
AF	50	H1	REVISED PER ECR-19-018062	06DEC2019	SS	TD	



- 1 FASTON TERMINALS, BASE P/N 1742110, ARE USED IN THIS PRODUCT.
- △ 2 TIN PLATE PER MIL-T-10727 0.001016 [.000040] MIN.
- 3 MATING TAB THK TO BE 0.51±0.025 [.020±.001]
- 4 WIRE SIZE IS [#18-#16 OR TWO #18'S] AWG.
- 5 INSULATION RANGE IS 2.67-5.33 OR TWO AT 2.67 MAX, [.105-.210 OR TWO AT .105 MAX].
- △ 6 OBSOLETE PART



△ 6/6 NYLON, VO - NAT(WHITE)	BRASS - TIN PL △ 2	521586-2
6/6 NYLON, VO - NAT(WHITE)	BRASS - PLAIN	-521586-1-
HOUSING MATERIAL & COLOR	TERMINAL MATERIAL & FINISH	PART NO

THIS DRAWING IS A CONTROLLED DOCUMENT.		DWN	JR RUTH	17DEC02		TE Connectivity		
DIMENSIONS: mm [INCHES]		CHK	N DEIBERT	17DEC02		NAME		
TOLERANCES UNLESS OTHERWISE SPECIFIED:		APVD	N DEIBERT	17DEC02		PRODUCT SPEC		
0 PLC ± - 1 PLC ± - 2 PLC ± - 3 PLC ± 0.25 [.010] 4 PLC ± - ANGLES ± -		APPLICATION SPEC		108-1285				
MATERIAL	SEE TABLE	FINISH	SEE TABLE	WEIGHT	-	SIZE	A2	
CUSTOMER DRAWING				CAGE CODE	00779	DRAWING NO	C=521586	
				SCALE	5:1	SHEET	1 OF 1	
				REV	H1			

单击下面可查看定价，库存，交付和生命周期等信息

[>>TE Connectivity\(泰科\)](#)