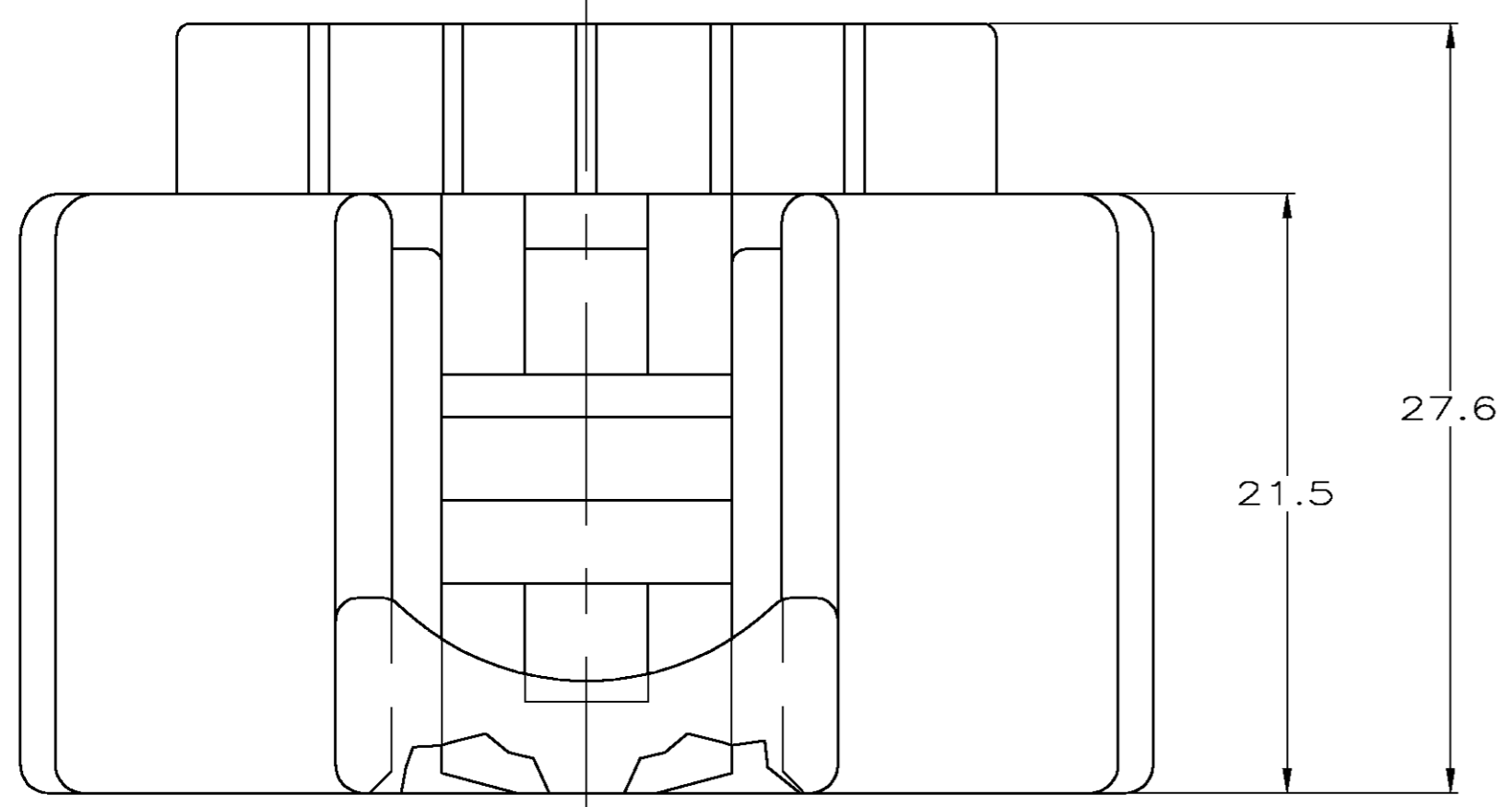
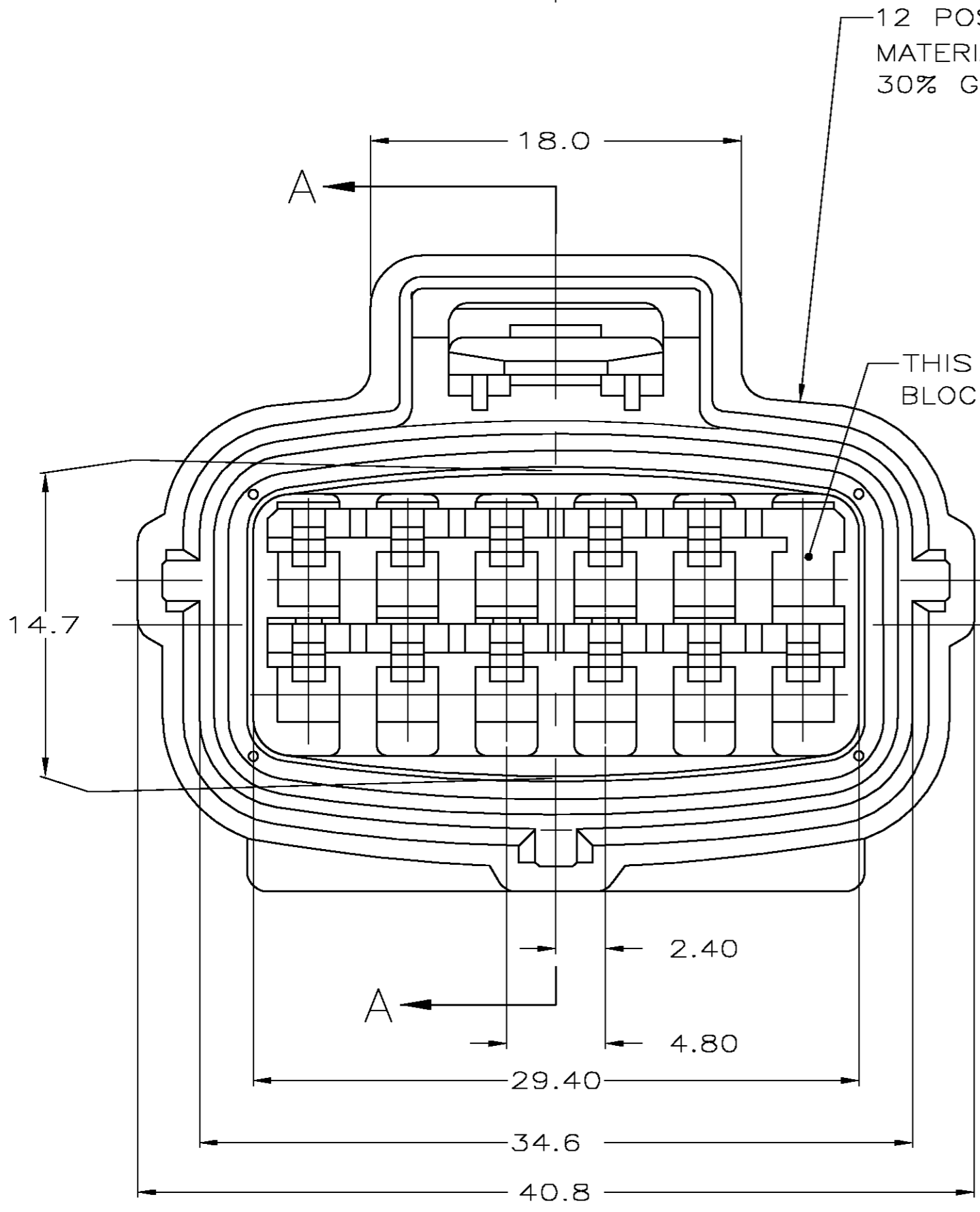


THIS DRAWING IS UNPUBLISHED. RELEASED FOR PUBLICATION
 © COPYRIGHT BY TYCO ELECTRONICS CORPORATION. ALL RIGHTS RESERVED.

LOC	DIST	REVISIONS			
P	LTR	DESCRIPTION	DATE	DWN	APVD
GE	00	J	REV PER EC 0K40-0448-03	25JUN03	AH KLC



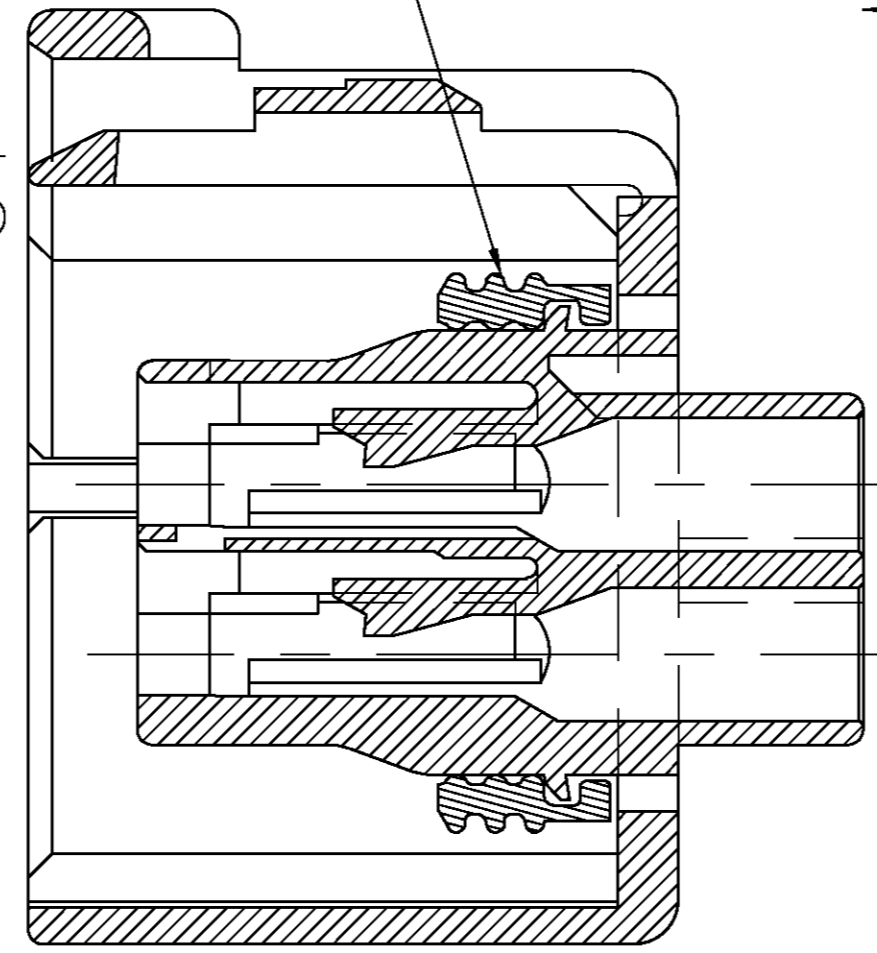
SECONDARY LOCK PLATE, P/N 184058-1, REQUIRED AS A SEPARATE COMPONENT.



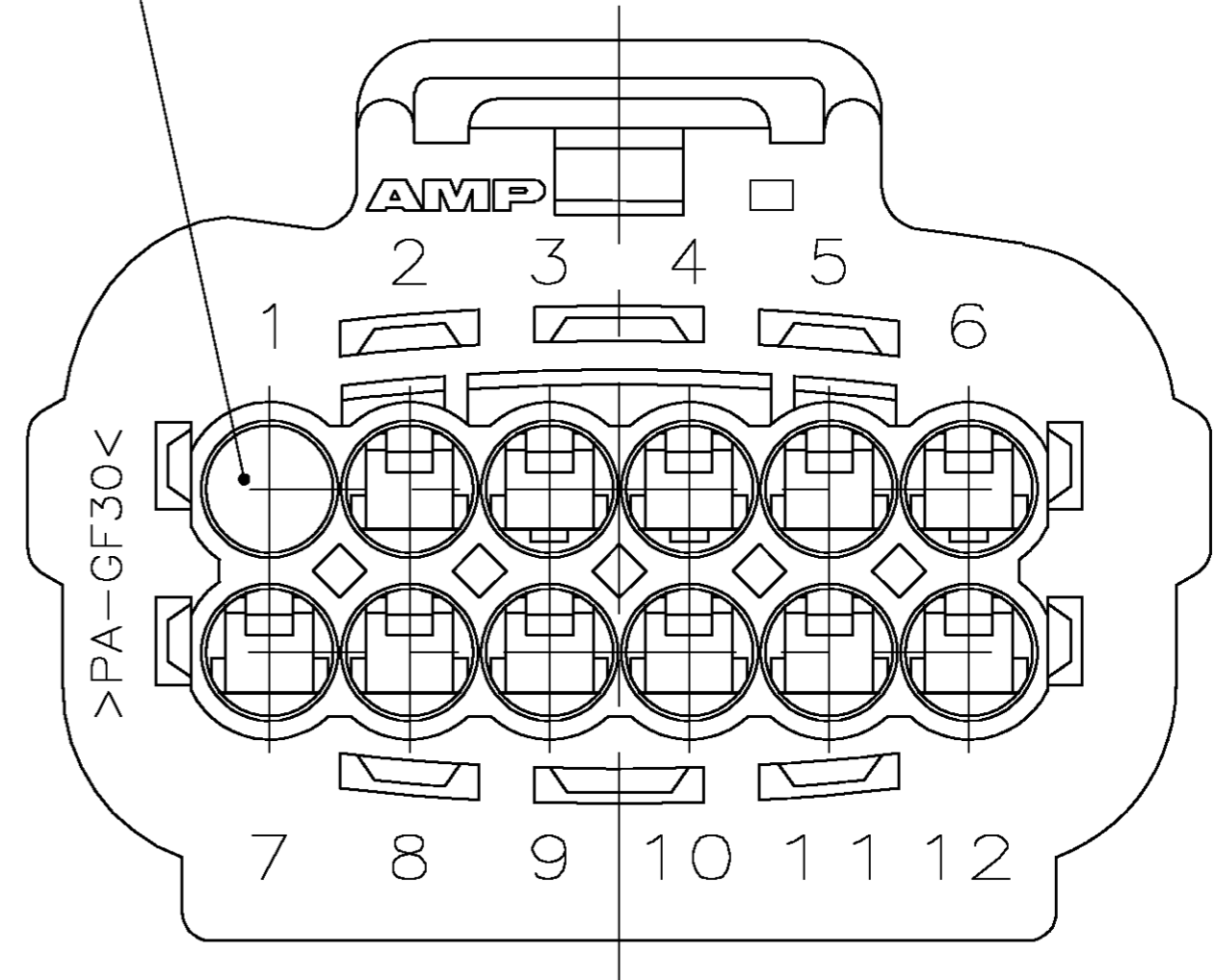
12 POSITION PLUG
 MATERIAL: 4/6 NYLON
 30% GLASS FILLED

SEAL RING
 MATERIAL:
 SILICONE RUBBER

THIS CIRCUIT
 BLOCKED (#1)



THIS CIRCUIT
 BLOCKED



THIS DRAWING IS A CONTROLLED DOCUMENT.		DWN	KD LYTLE	5/16/94	BLACK		184097-1	
DIMENSIONS: MM		CHK	JP KUNKLE	11/10/94	PLUG COLOR		PART NUMBER	
TOLERANCES UNLESS OTHERWISE SPECIFIED:		APVD	JP KUNKLE	11/10/94	Tyco Electronics Corporation		Harrisburg, PA 17105-3608	
0 PLC ± -		PRODUCT SPEC			NAME		12 POSITION PLUG ASSY.	
1 PLC ± 0.3		APPLICATION SPEC			SIZE	CAGE CODE	DRAWING NO	RESTRICTED TO
2 PLC ± 0.15					A2	00779	C=184097	-
3 PLC ± -					SCALE		SHEET	OF
4 PLC ± -					4:1		1	1
ANGLES ± -		WEIGHT			CUSTOMER DRAWING		REV	J
FINISH -								

单击下面可查看定价，库存，交付和生命周期等信息

[>>TE Connectivity\(泰科\)](#)