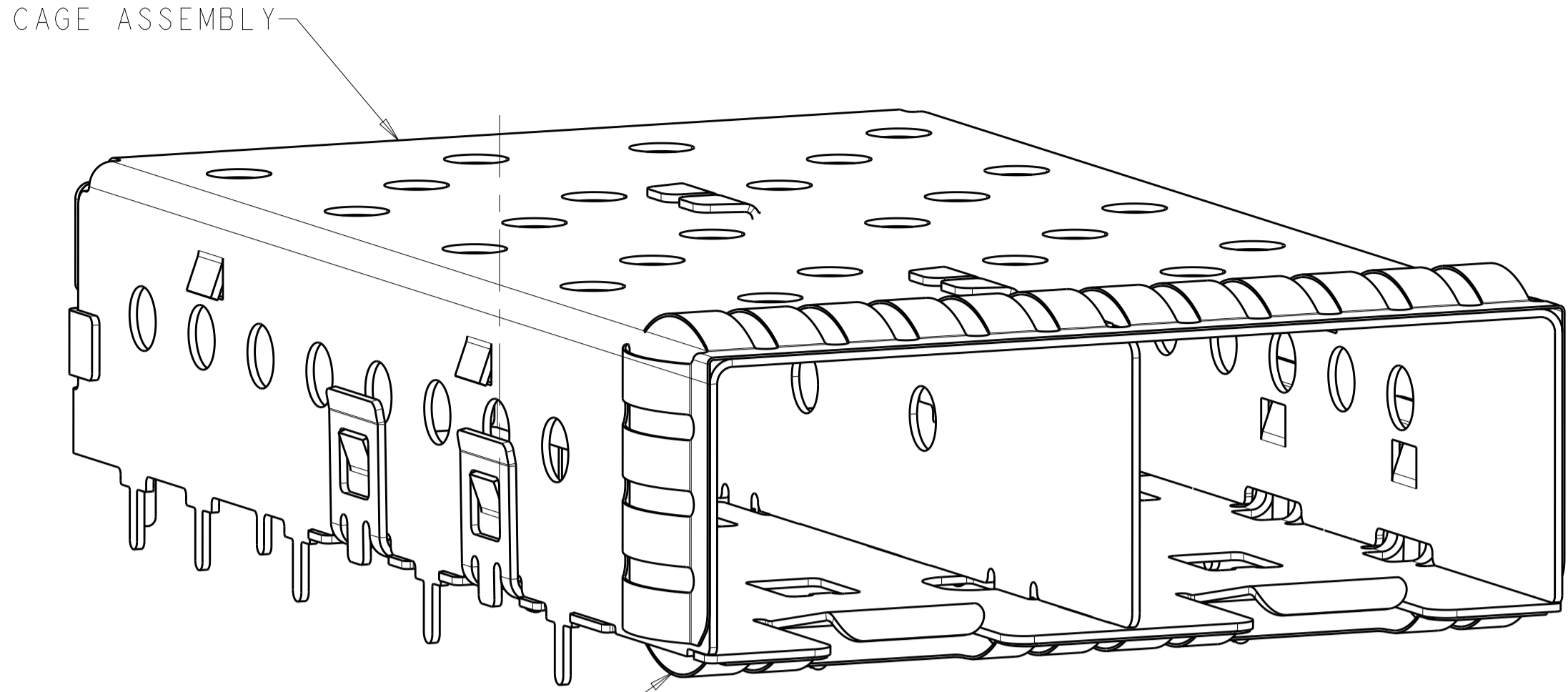


LOC		DIST		REVISIONS			
GP	00	P	LTN	DESCRIPTION	DATE	DMN	APVD
		A		RELEASED	26FEB2016	JW	SH

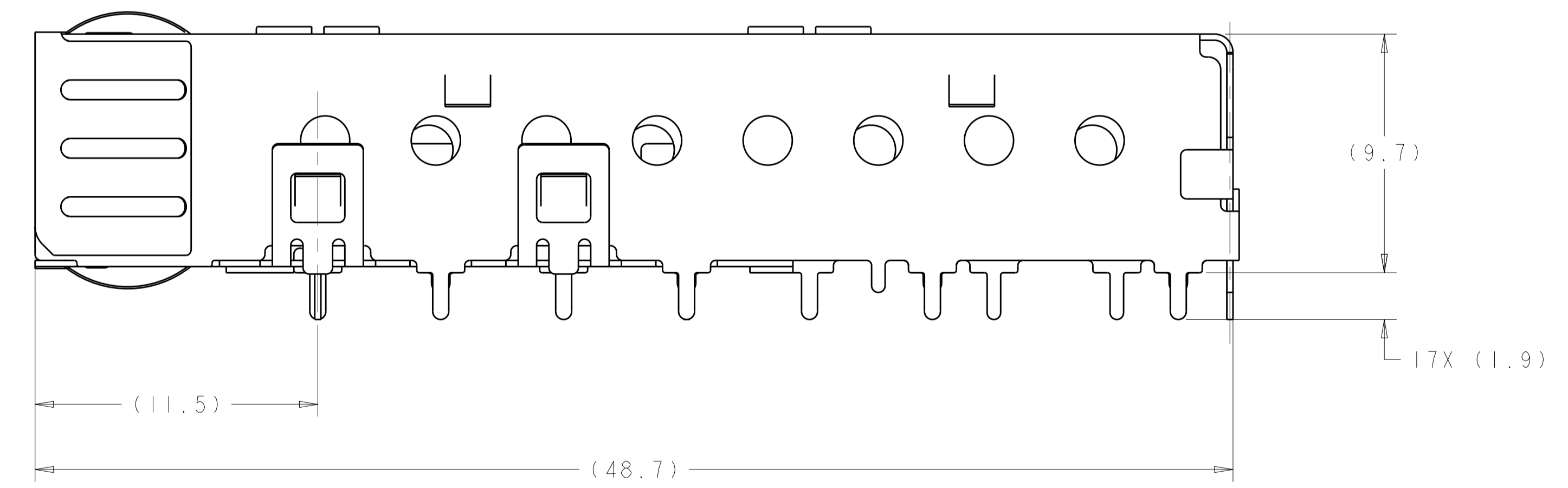
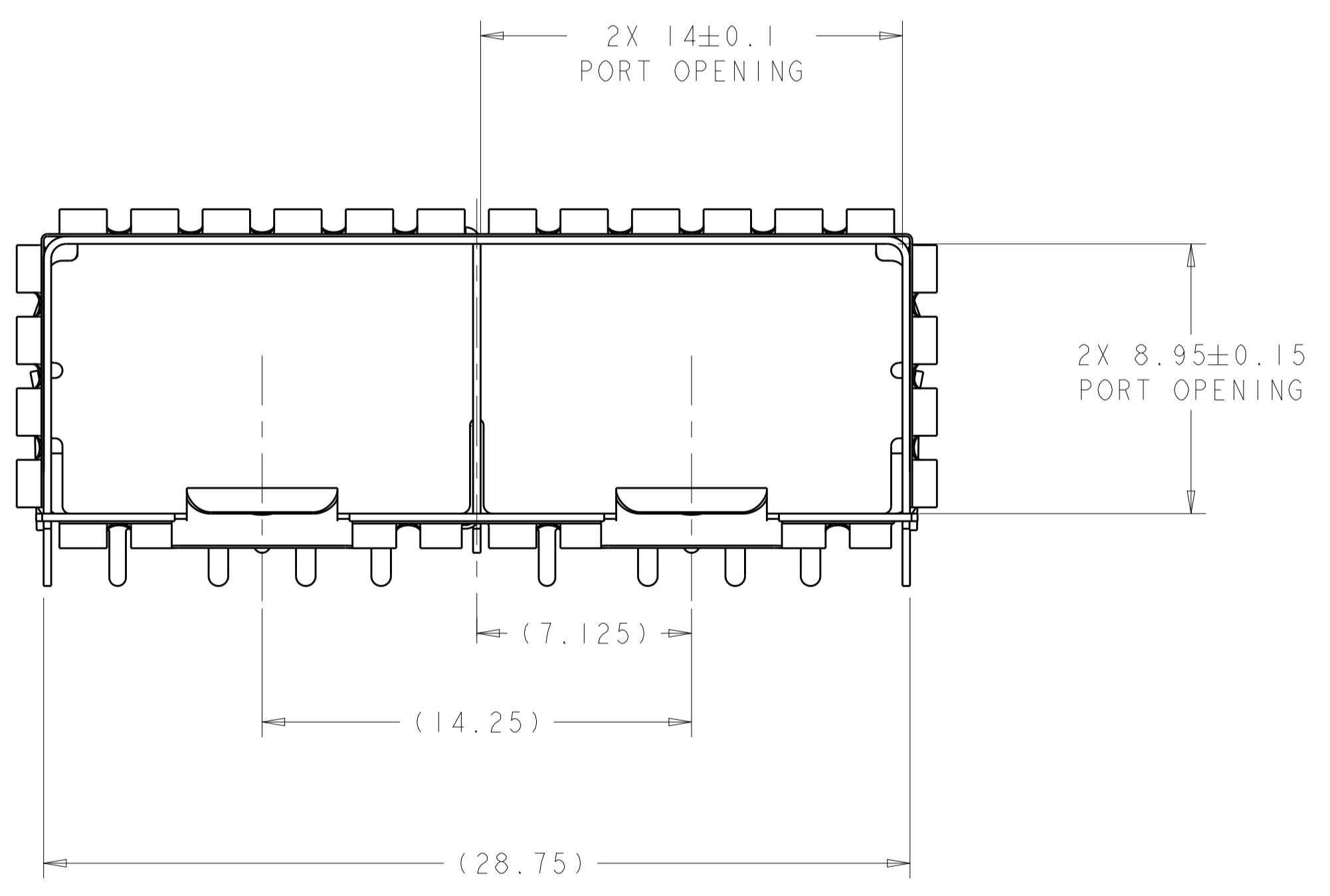


CAGE ASSEMBLY

EMI SPRINGS

2143451-1 OR 2
FINISHED ASSEMBLY

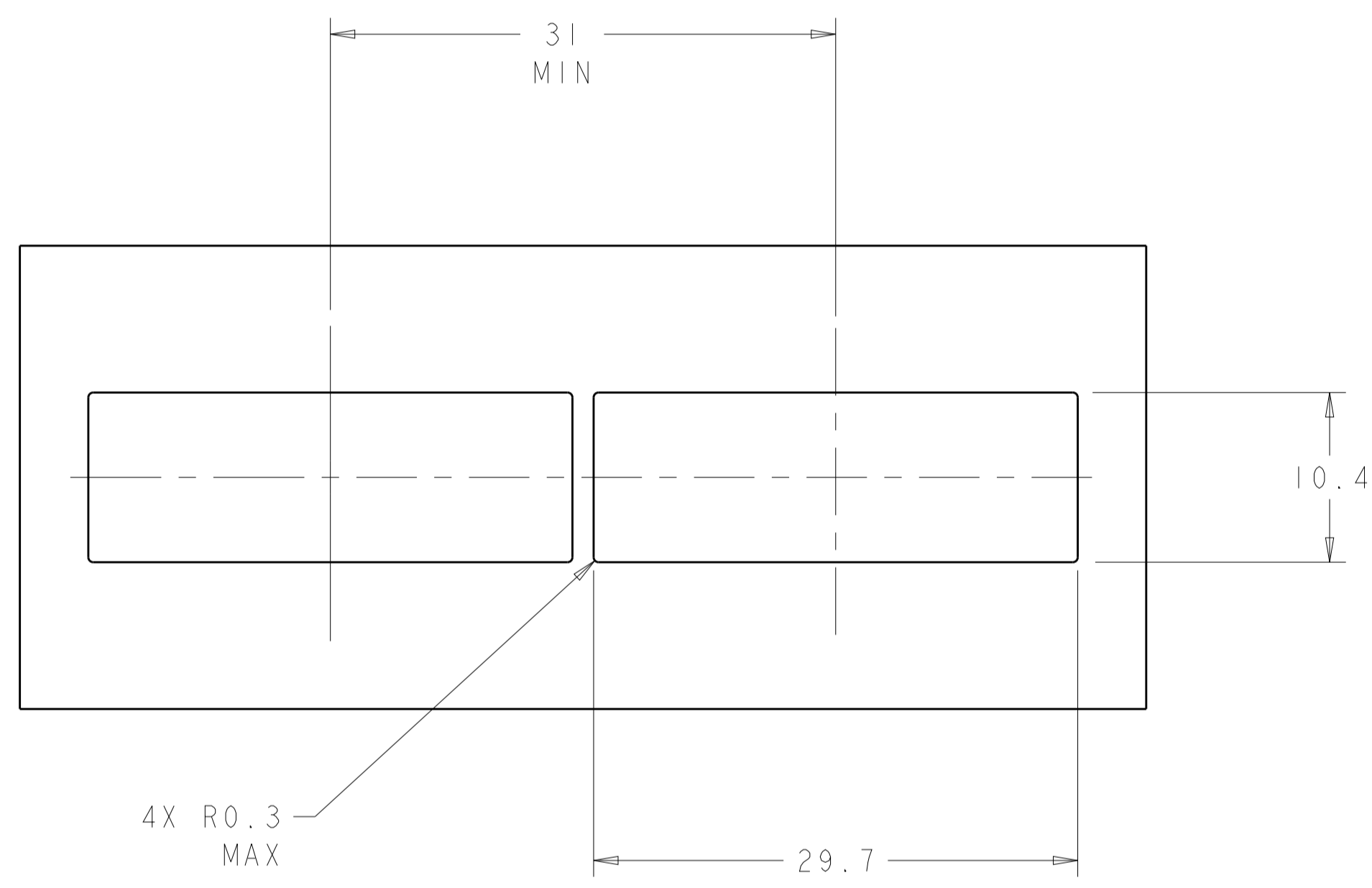
- 1. MATERIAL: CAGE ASSEMBLY: 0.25mm THICK NICKEL SILVER ALLOY
EMI SPRINGS: COPPER ALLOY
- 2. FINISH:
SPRINGS - MINIMUM OF 0.8um MATTE TIN PLATED OVER A MINIMUM OF 0.8um NICKEL UNDERPLATE.
NON-PLATED EDGES PERMISSIBLE.
- 3. MATES WITH SFP MSA COMPLIANT TRANSCEIVERS.
- 4. PADS AND VIAS CHASSIS GROUND.
- 5. INTERPRETATION OF DATUM REFERENCE FRAME IN ACCORDANCE WITH SECT 4.4.1.1 OF ASME Y14.5M-1994.
- 6. MINIMUM PC BOARD THICKNESS: 1.50
- 7. HOLE PATTERN REPEATS FOR EACH PORT, SPACING BETWEEN PORTS IS 14.25mm.
- 8. DATUM AND BASIC DIMENSION ESTABLISHED BY CUSTOMER.
- 9. CERTAIN MATING TRANSCEIVERS MAY REQUIRE ADDITIONAL PCB THICKNESS THAT WOULD NEED TO BE DETERMINED BY THE CUSTOMER.
- 10. PRODUCT COMPLIES WITH SPECIFICATION SFF-8433 IMPROVED PLUGGABLE FORM FACTOR FOR SFP+ GANGED CAGES.



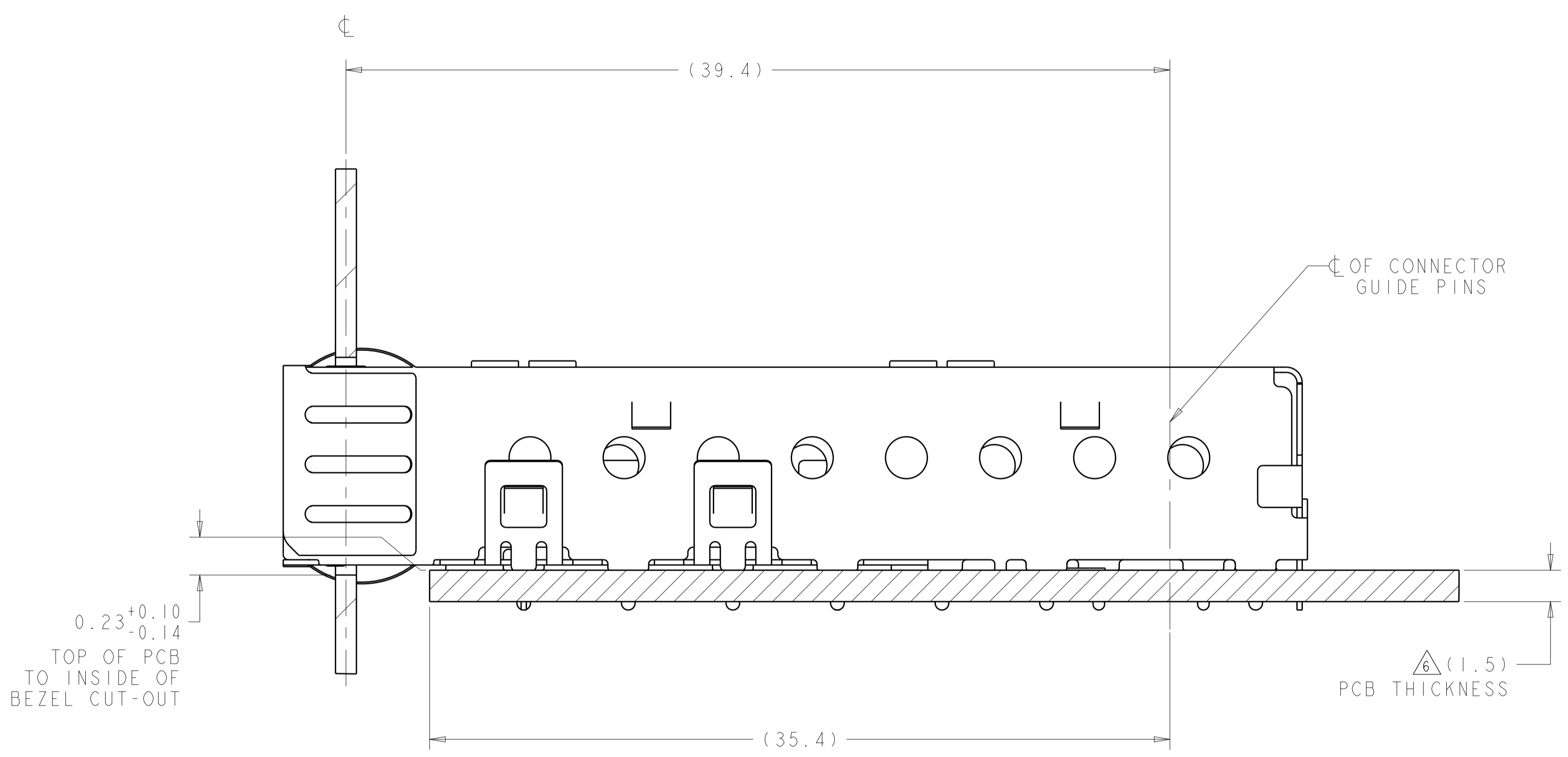
TAPE AND REEL	2143451-2
TRAY	2143451-1
PACKAGING METHOD	PART NUMBER

THIS DRAWING IS A CONTROLLED DOCUMENT.		DMN C. VALENTINE 14APR2010	TE Connectivity	
DIMENSIONS:		CHK J. PETERSON 14APR2010	NAME	
TOLERANCES UNLESS OTHERWISE SPECIFIED:		APVD J. PETERSON 14APR2010	SFP+ 1X2 CAGE ASSEMBLY SOLDER TAIL, EXTERNAL EMI SPRINGS	
mm	0 PLC ±0.1	PRODUCT SPEC	SIZE CAGE CODE DRAWING NO	
	1 PLC ±0.1	108-2364	A100779C=2143451	
	2 PLC ±0.1	APPLICATION SPEC	RESTRICTED TO	
	3 PLC ±0.1	114-13120	-	
	4 PLC ±0.1	WEIGHT	-	
	ANGLES ±1°	CUSTOMER DRAWING	SCALE 6:1 SHEET 1 OF 3 REV A	

LOC	DIST	REVISIONS			
P	LTN	DESCRIPTION	DATE	DMN	APVD
-	-	SEE SHEET 1	-	-	-



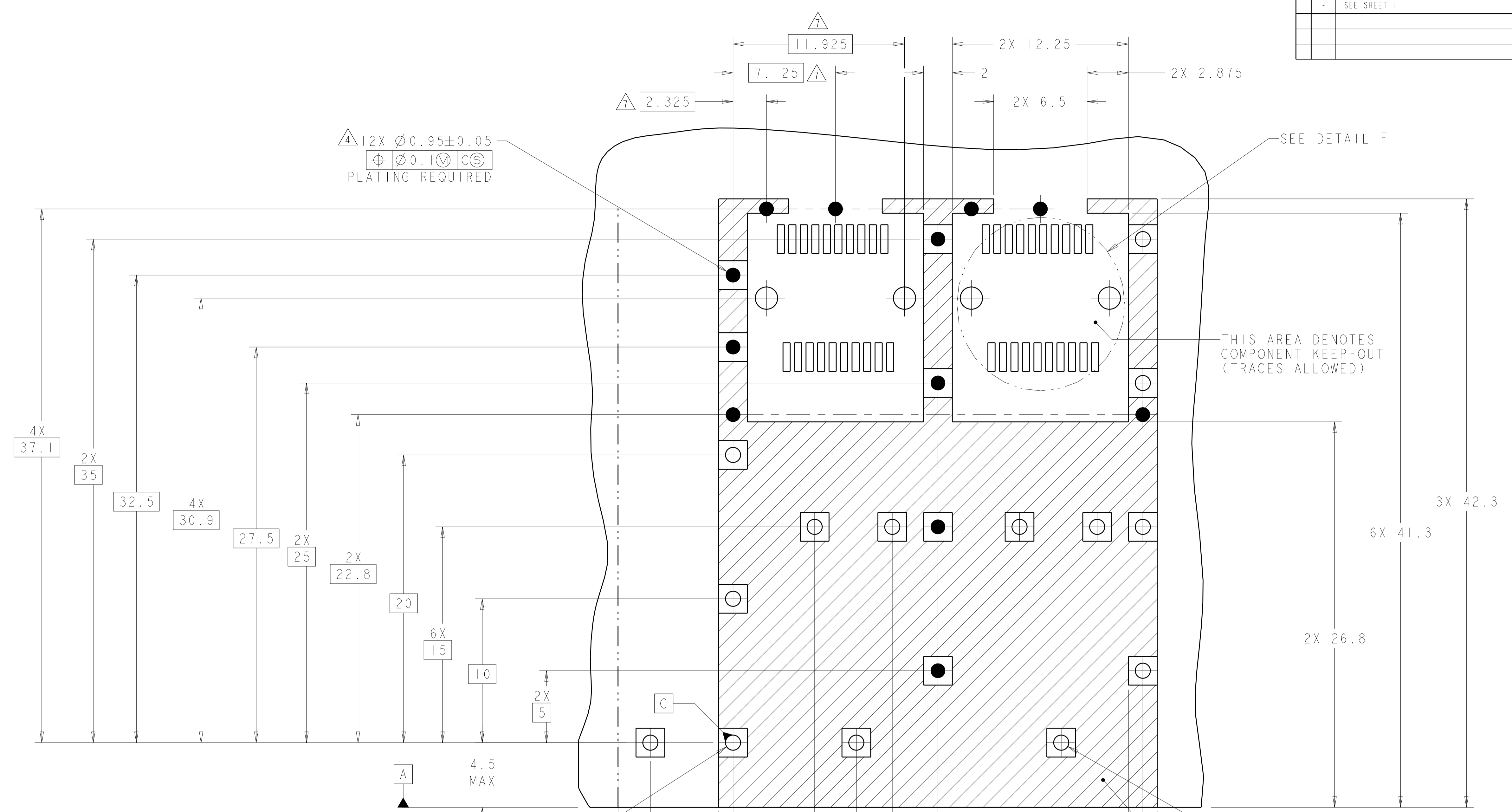
RECOMMENDED BEZEL CUT-OUT
 SINGLE SIDED APPLICATIONS
 SCALE 3:1



2143451-1 OR 2
 MOUNTED ON PC BOARD
 SHOWN THRU RECOMMENDED BEZEL

THIS DRAWING IS A CONTROLLED DOCUMENT.		DMN C. VALENTINE 14APR2010	TE Connectivity
DIMENSIONS: mm		CHK J. PETERSON 14APR2010	
TOLERANCES UNLESS OTHERWISE SPECIFIED:		APVD J. PETERSON 14APR2010	NAME SFP+ 1X2 CAGE ASSEMBLY SOLDER TAIL, EXTERNAL EMI SPRINGS
0 PLC	±0.1	PRODUCT SPEC	SIZE 108-2364
1 PLC	±0.1	APPLICATION SPEC	CAGE CODE 114-13120
2 PLC	±0.1	WEIGHT	DRAWING NO A100779
3 PLC	±0.1	CUSTOMER DRAWING	DRAWING NO C=2143451
4 PLC	±0.1	SCALE	6:1
ANGLES	±1°	SHEET	2 OF 3
FINISH	-	REV	A

REVISONS		DATE	DMN	APVD
GP	00			
	SEE SHEET 1			



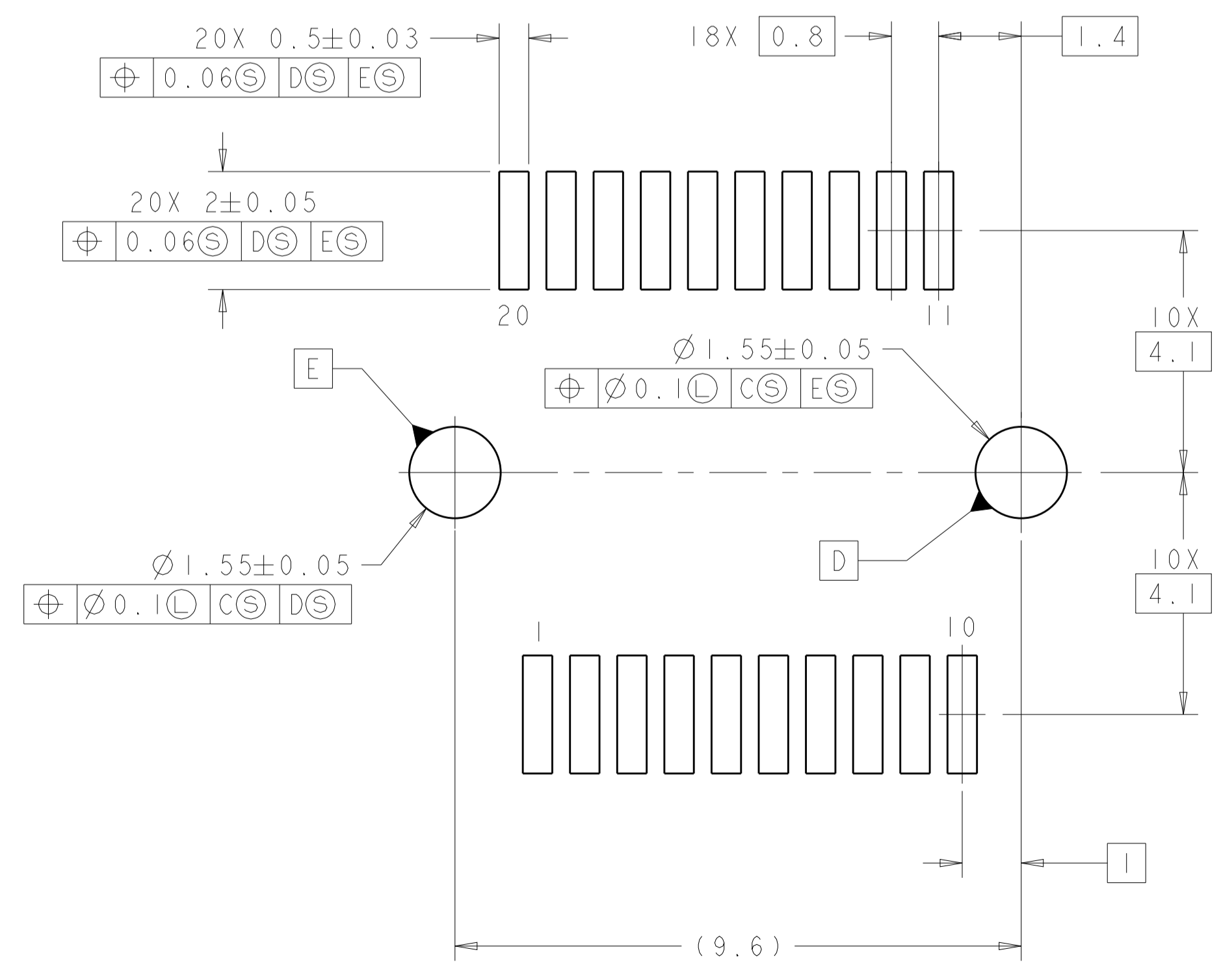
4 Δ 12X \varnothing 0.95 \pm 0.05
 \oplus \varnothing 0.1M CS
 PLATING REQUIRED

THIS AREA DENOTES
 COMPONENT KEEP-OUT
 (TRACES ALLOWED)

12X \varnothing 1.05 \pm 0.05 Δ
 \oplus \varnothing 0.1M CS
 PLATING REQUIRED

CROSS-HATCHED AREA DENOTES
 COMPONENT AND TRACE KEEP-OUT
 (EXCEPT CHASSIS GROUND)

4 Δ \varnothing 1.05 \pm 0.05
 \oplus \varnothing 0.1S AB
 PLATING REQUIRED



DETAIL F
 RECOMMENDED PT CONNECTOR LAYOUT
 2X INDIVIDUALLY
 SCALE 12:1

RECOMMENDED PCB CONFIGURATION
 WITH KEEP-OUT AREAS
 SINGLE SIDED APPLICATIONS Δ

THIS DRAWING IS A CONTROLLED DOCUMENT.		DMN C. VALENTINE	14APR2010	TE Connectivity
DIMENSIONS: mm		CHK J. PETERSON	14APR2010	
		APVD J. PETERSON	14APR2010	NAME SFP+ 1X2 CAGE ASSEMBLY SOLDER TAIL, EXTERNAL EMI SPRINGS
MATERIAL		PRODUCT SPEC 108-2364	APPLICATION SPEC 114-13120	SIZE A100779C=2143451
FINISH		WEIGHT	CUSTOMER DRAWING	RESTRICTED TO

单击下面可查看定价，库存，交付和生命周期等信息

[>>TE Connectivity\(泰科\)](#)