

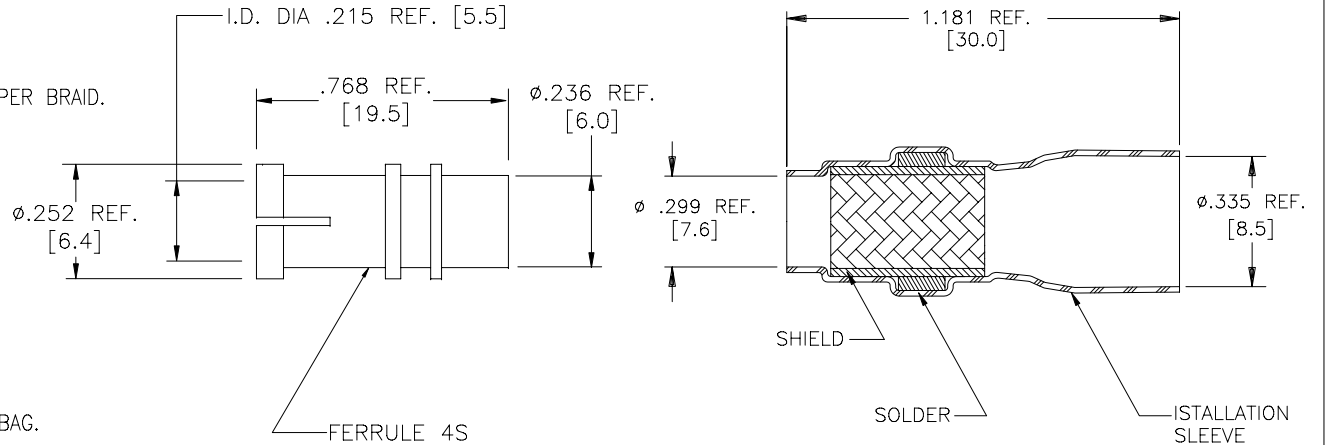
NOTES:

MATERIALS

- FERRULE: COPPER ALLOY PER ASTM B139-95
- INSULATION SLEEVE: HEAT-SHRINKABLE, TRANSPARENT BLUE, RADIATION CROSS-LINKED MODIFIED POLYVINYLIDENE FLUORIDE.
- SOLDER PERFORM WITH FLUX:
SOLDER: TYPE Sn63 PER ANSI-J-STD-006.
FLUX: TYPE ROM1 PER ANSI-J-STD-004.
- SHIELD: SOLDER IMPREGNATED, FLUX COATED, TIN PLATED COPPER BRAID.
SOLDER: TYPE Sn63 PER ANSI-J-STD-006.
FLUX: TYPE ROM1 PER ANSI-J-STD-004.
- FINISH:
A) FERRULE CADMIUM PLATED IN ACCORDANCE WITH QQ-P-416. OVER A SUITABLE UNDERPLATE.
- INSTALLATION: SEE RAYCHEM INSTALLATION PROCEDURE RPIP-652-35.
- PACKAGING: ONE SPIGOT AND ONE SOLDER SHIELD PER BAG. 10 BAGS IN A BOX.

8 THE VALUES TABLE GIVES GEOMETRICAL GUIDE LINES. HOWEVER PLATING, SHAPE, DIAMETER OF CABLES CAN BE VARY AND AN INSTALLATION MUST BE DONE TO GUARANTEE PROPER RESULT.

REVISIONS			
LTR	DESCRIPTION	DATE	APPROVED
D	DRAWING HAS BEEN CONVERTED FROM FRENCH PER T-30412	12/10/2001	M.HIGGY

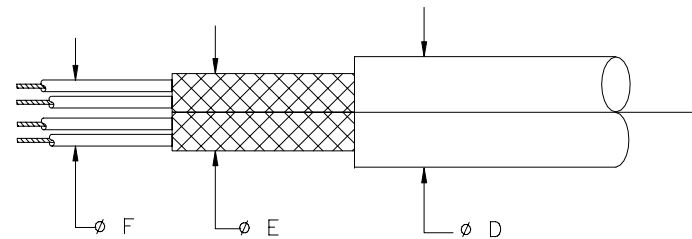


ø D OUTSIDE DIA OF JACKETS.		ø E OUTSIDE DIA OF BRAIDS.		ø F MAX. OUTSIDE DIA OF WIRES.
MIN.	MAX.	MIN.	MAX.	
.140	.315	.071	.236	.201
[3.55]	[8.0]	[1.8]	[6.0]	[5.1]

MAXIMUM QTY. OF BRAIDS: 4

8

APPLICATIONS



SPECIFICATION CONTROL DRAWING

UNLESS OTHERWISE SPECIFIED DIMENSIONS ARE IN INCHES. METRIC DIMENSIONS ARE IN BRACKETS.	DRAWN	ZS.ORBAN	11/30/2001	Tyco Electronics/Raychem	WIRE AND HARNESSING PRODUCTS 307 CONSTITUTION DRIVE MENLO PARK, CALIFORNIA 94025		
	CHECKED				TITLE	SPIGOT LARGE SIZE WITH SOLDER SHIELD FOR MULTI-PORT BACKHELL	
	APPROVED	M.HIGGY	11/30/2001	RPN:	SIZE	CODE IDENT. NO.	DWG. NO.
	DECIMALS	.XXX ±		mm	C	06090	ECA-0030
ANGLES	.X ±		REV		D		
WEIGHT:	THIRD ANGLE PROJECTION	T30412.DWG		DO NOT SCALE THIS DRAWING			SHEET 1 OF 1

If this document is printed it becomes uncontrolled. Check with the web for latest revision.

单击下面可查看定价，库存，交付和生命周期等信息

[>>TE Connectivity\(泰科\)](#)