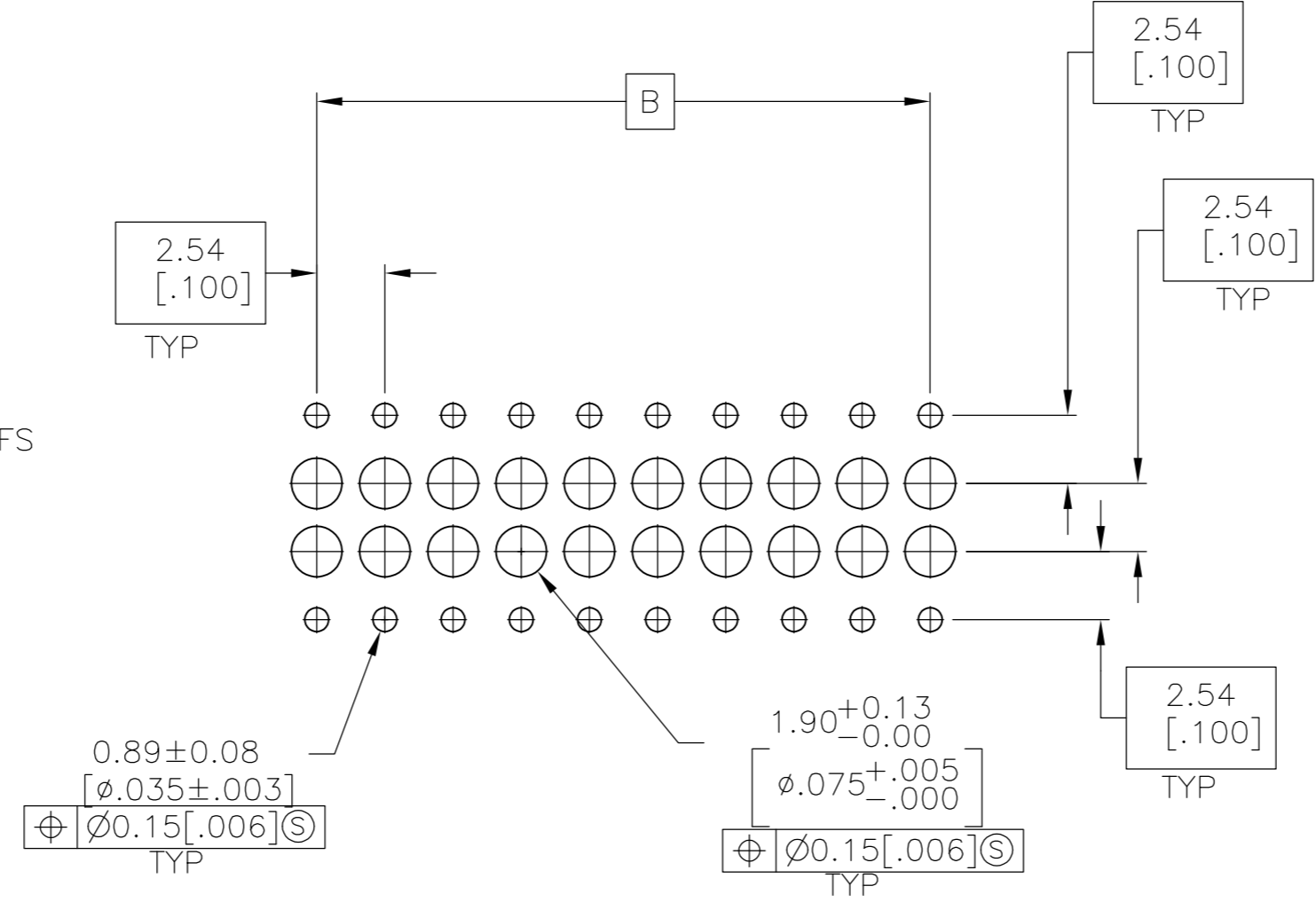
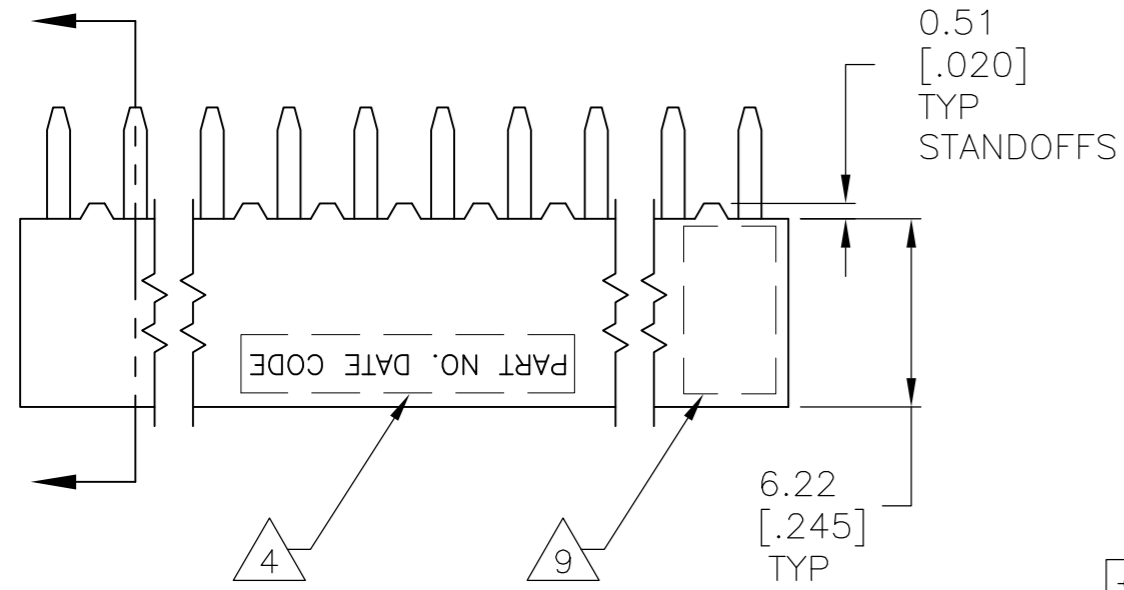
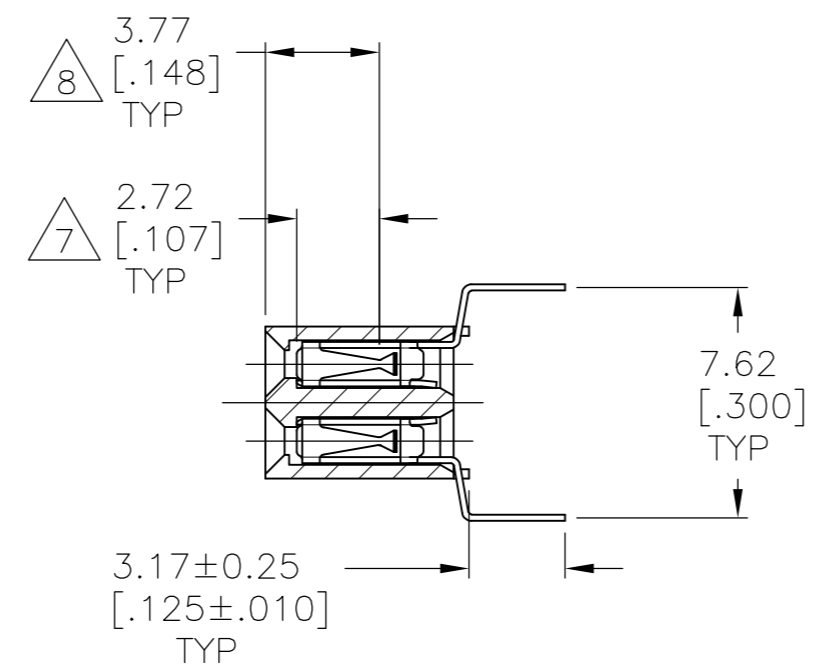
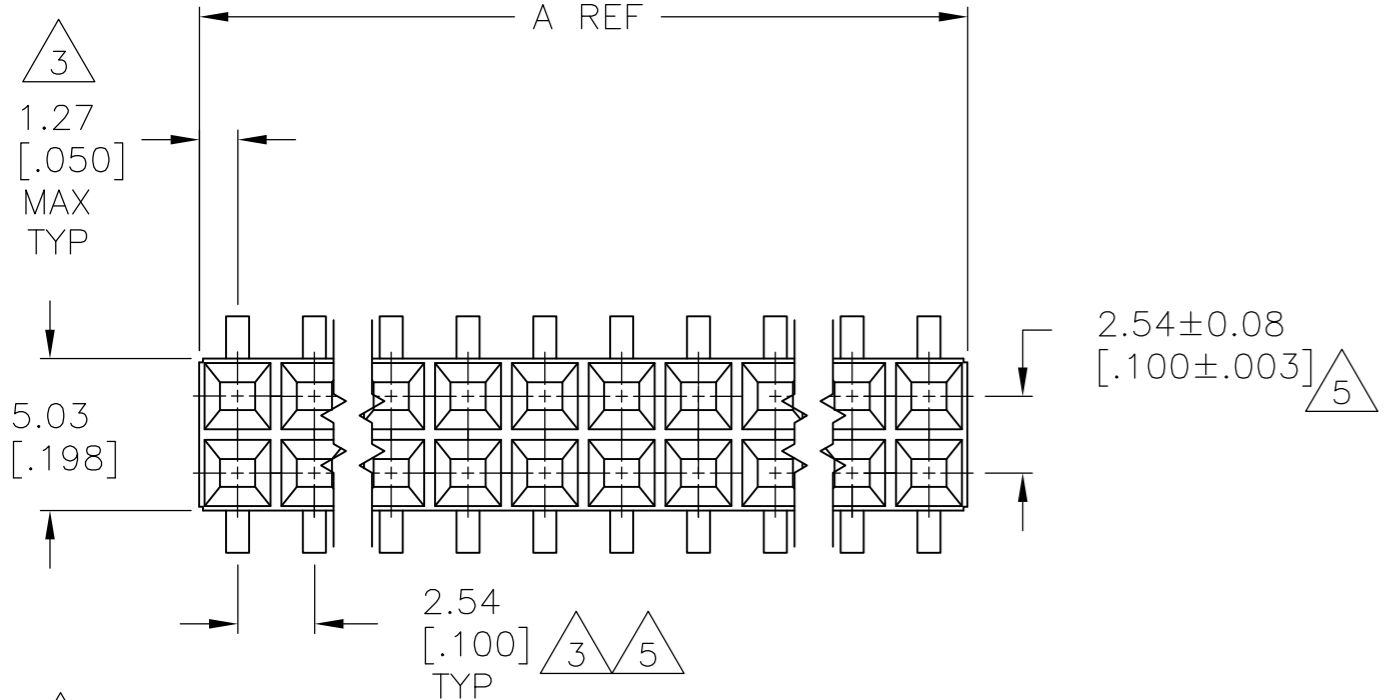


THIS DRAWING IS UNPUBLISHED. RELEASED FOR PUBLICATION
 © COPYRIGHT - By - ALL RIGHTS RESERVED.

LOC	DIST	REVISIONS					
AD	00	P	LTR	DESCRIPTION	DATE	DWN	APVD
		AB5		REVISED PER ECO-13-005565	02APR13	KH	JO



RECOMMENDED PC BOARD HOLE PATTERN
 PC BOARD THICKNESS 1.57 [.062]



12 ROHS 2002/95/EC COMPLIANT

REV	DESCRIPTION	DATE	DWN	APVD
1	96.52[3.800]	99.06[3.900]	78	4-534267-0
2	91.44[3.600]	93.98[3.700]	74	3-534267-9
2	88.90[3.500]	91.44[3.600]	72	3-534267-8
2	86.36[3.400]	88.90[3.500]	70	3-534267-7
2	83.82[3.300]	86.36[3.400]	68	3-534267-6
2	81.28[3.200]	83.82[3.300]	66	3-534267-5
2	78.74[3.100]	81.28[3.200]	64	3-534267-4
2	76.20[3.000]	78.74[3.100]	62	3-534267-3
2	71.12[2.800]	73.66[2.900]	58	3-534267-2
2	68.58[2.700]	71.12[2.800]	56	3-534267-1
2	66.04[2.600]	68.58[2.700]	54	3-534267-0
2	63.50[2.500]	66.04[2.600]	52	2-534267-9
2	55.88[2.200]	58.42[2.300]	46	2-534267-8
2	53.34[2.100]	55.88[2.200]	44	2-534267-7
2	50.80[2.000]	53.34[2.100]	42	2-534267-6
2	45.72[1.800]	48.26[1.900]	38	2-534267-5
2	40.64[1.600]	43.18[1.700]	34	2-534267-4
2	38.10[1.500]	40.64[1.600]	32	2-534267-3
2	33.02[1.300]	35.56[1.400]	28	2-534267-2
2	25.40[1.000]	27.94[1.100]	22	2-534267-1
2	12.70[.500]	15.24[.600]	12	2-534267-0
2	17.78[.700]	20.32[.800]	16	1-534267-9
2	60.96[2.400]	63.50[2.500]	50	1-534267-8
2	2.54[.100]	5.08[.200]	4	1-534267-7
2	93.98[3.700]	96.52[3.800]	76	1-534267-6
2	43.18[1.700]	45.72[1.800]	36	1-534267-5
2	5.08[.200]	7.62[.300]	6	1-534267-4
10	OBSELETE	2.54[.100]	2	1-534267-3
2	35.56[1.400]	38.10[1.500]	30	1-534267-2
2	58.42[2.300]	60.96[2.400]	48	1-534267-1
2	20.32[.800]	22.86[.900]	18	1-534267-0
2	27.94[1.100]	30.48[1.200]	24	534267-9
2	73.66[2.900]	76.20[3.000]	60	534267-8
2	48.26[1.900]	50.80[2.000]	40	534267-7
2	30.48[1.200]	33.02[1.300]	26	534267-6
10	7.62[.300]	10.16[.400]	8	534267-5
2	99.06[3.900]	101.60[4.000]	80	534267-4
10	10.16[.400]	12.70[.500]	10	534267-3
2	22.86[.900]	25.40[1.000]	20	534267-2
2	15.24[.600]	17.78[.700]	14	534267-1

- 1 HOUSING: FLAME RETARDANT, GLASS FILLED, POLYESTER, COLOR: BLACK. CONTACT: PHOSPHOR BRONZE
- 2 CONTACT: DUPLEX PLATED 0.76µm[.000030] GOLD IN CONTACT AREA, 3.81-7.62µm[.000150-.000300] BRIGHT TIN-LEAD ON LEADS, ALL OVER 1.27µm[.000050] MINIMUM NICKEL
- 3 THESE DIMENSIONS PERTAIN TO CAVITY CENTERLINES ONLY - NOT TO CONTACT LOCATIONS
- 4 PART NUMBER AND DATE CODE ARE MARKED IN APPROXIMATE LOCATION SHOWN,EITHER SIDE.
- 5 TOLERANCE IS NON-CUMULATIVE.
- 6 2 POSITION DATE CODE IS MARKED OPPOSITE SIDE OF TE CONNECTIVITY LOGO.
- 7 POINT-OF-MEASUREMENT DIMENSION FOR PLATING THICKNESS (INSIDE CONTACT BEAM).
- 8 POINT-OF-CONTACT DIMENSION.
- 9 TE CONNECTIVITY TRADEMARK AND CSA LOGO ARE MOLDED INTO HOUSING, THIS LOCATION.
- 10 NO PART NUMBER MARKING REQUIRED FOR THIS PART.
- 11 CONTACT:DUPLEX PLATED 0.76 MICROMETERS(.000030) MIN GOLD IN CONTACT AREA,3.81-7.62 MICROMETERS(.000150-.000300) MATTE TIN ON LEADS, ALL OVER 1.27 MICROMETERS (.000050) MINIMUM NICKEL.

THIS DRAWING IS A CONTROLLED DOCUMENT.

DWN: M.BINNER 06NOV2002
 CHK: J.OLSON 06NOV02
 APVD: J.OLSON 06NOV02

TE Connectivity

RECEPTACLE ASSEMBLY, MOD IV, DOUBLE ROW, DUAL ENTRY, .100X.100CL, VERTICAL MOUNT, AMPMODU

108-25022
 114-25018

SIZE: A2 CAGE CODE: 00779 DRAWING NO: 534267

SCALE: 4:1 SHEET: 1 OF 2 REV: AB5

THIS DRAWING IS UNPUBLISHED. RELEASED FOR PUBLICATION
 © COPYRIGHT - By - ALL RIGHTS RESERVED.

LOC	DIST	REVISIONS			
P	LTR	DESCRIPTION	DATE	DWN	APVD
-	-	SEE SHEET 1	-	-	-

△11	96.52[3.800]	99.06[3.900]	78	△12	9-534267-0
△11	91.44[3.600]	93.98[3.700]	74	△12	8-534267-9
△11	88.90[3.500]	91.44[3.600]	72	△12	8-534267-8
△11	86.36[3.400]	88.90[3.500]	70	△12	8-534267-7
△11	83.82[3.300]	86.36[3.400]	68	△12	8-534267-6
△11	81.28[3.200]	83.82[3.300]	66	△12	8-534267-5
△11	78.74[3.100]	81.28[3.200]	64	△12	8-534267-4
△11	76.20[3.000]	78.74[3.100]	62	△12	8-534267-3
△11	71.12[2.800]	73.66[2.900]	58	△12	8-534267-2
△11	68.58[2.700]	71.12[2.800]	56	△12	8-534267-1
△11	66.04[2.600]	68.58[2.700]	54	△12	8-534267-0
△11	63.50[2.500]	66.04[2.600]	52	△12	7-534267-9
△11	55.88[2.200]	58.42[2.300]	46	△12	7-534267-8
△11	53.34[2.100]	55.88[2.200]	44	△12	7-534267-7
△11	50.80[2.000]	53.34[2.100]	42	△12	7-534267-6
△11	45.72[1.800]	48.26[1.900]	38	△12	7-534267-5
△11	40.64[1.600]	43.18[1.700]	34	△12	7-534267-4
△11	38.10[1.500]	40.64[1.600]	32	△12	7-534267-3
△11	33.02[1.300]	35.56[1.400]	28	△12	7-534267-2
△11	25.40[1.000]	27.94[1.100]	22	△12	7-534267-1
△11	12.70[.500]	15.24[.600]	12	△12	7-534267-0
△11	17.78[.700]	20.32[.800]	16	△12	6-534267-9
△11	60.96[2.400]	63.50[2.500]	50	△12	6-534267-8
△10	△11 2.54[.100]	5.08[.200]	4	△12	6-534267-7
△11	93.98[3.700]	96.52[3.800]	76	△12	6-534267-6
△11	43.18[1.700]	45.72[1.800]	36	△12	6-534267-5
△10	△11 5.08[.200]	7.62[.300]	6	△12	6-534267-4
△10	△11 OBSOLETE	2.54[.100]	2	△12	6-534267-3
△11	35.56[1.400]	38.10[1.500]	30	△12	6-534267-2
△11	58.42[2.300]	60.96[2.400]	48	△12	6-534267-1
△11	20.32[.800]	22.86[.900]	18	△12	6-534267-0
△11	27.94[1.100]	30.48[1.200]	24	△12	5-534267-9
△11	73.66[2.900]	76.20[3.000]	60	△12	5-534267-8
△11	48.26[1.900]	50.80[2.000]	40	△12	5-534267-7
△11	30.48[1.200]	33.02[1.300]	26	△12	5-534267-6
△10	△11 7.62[.300]	10.16[.400]	8	△12	5-534267-5
△11	99.06[3.900]	101.60[4.000]	80	△12	5-534267-4
△10	△11 10.16[.400]	12.70[.500]	10	△12	5-534267-3
△11	22.86[.900]	25.40[1.000]	20	△12	5-534267-2
△11	15.24[.600]	17.78[.700]	14	△12	5-534267-1

FINISH	B	A	NO OF POSN	PART NUMBER
--------	---	---	------------	-------------

THIS DRAWING IS A CONTROLLED DOCUMENT.		DWN M.BINNER 06NOV2002	TE TE Connectivity	
DIMENSIONS: mm [INCHES]		CHK J.OLSON 06NOV02		
TOLERANCES UNLESS OTHERWISE SPECIFIED: 0 PLC ± - 1 PLC ± - 2 PLC ± 0.13[.005] 3 PLC ± - 4 PLC ± - ANGLES ± -		APVD J.OLSON 06NOV02	NAME RECEPTACLE ASSEMBLY, MOD IV, DOUBLE ROW, DUAL ENTRY, .100X.100CL, VERTICAL MOUNT, AMPMODU	
MATERIAL △1		PRODUCT SPEC 108-25022	SIZE A2	CAGE CODE 00779
FINISH △11 △12		APPLICATION SPEC 114-25018	DRAWING NO C=534267	RESTRICTED TO -
CUSTOMER DRAWING		WEIGHT -	SCALE 1:1	SHEET 2 OF 2
			REV AB5	

单击下面可查看定价，库存，交付和生命周期等信息

[>>TE Connectivity\(泰科\)](#)