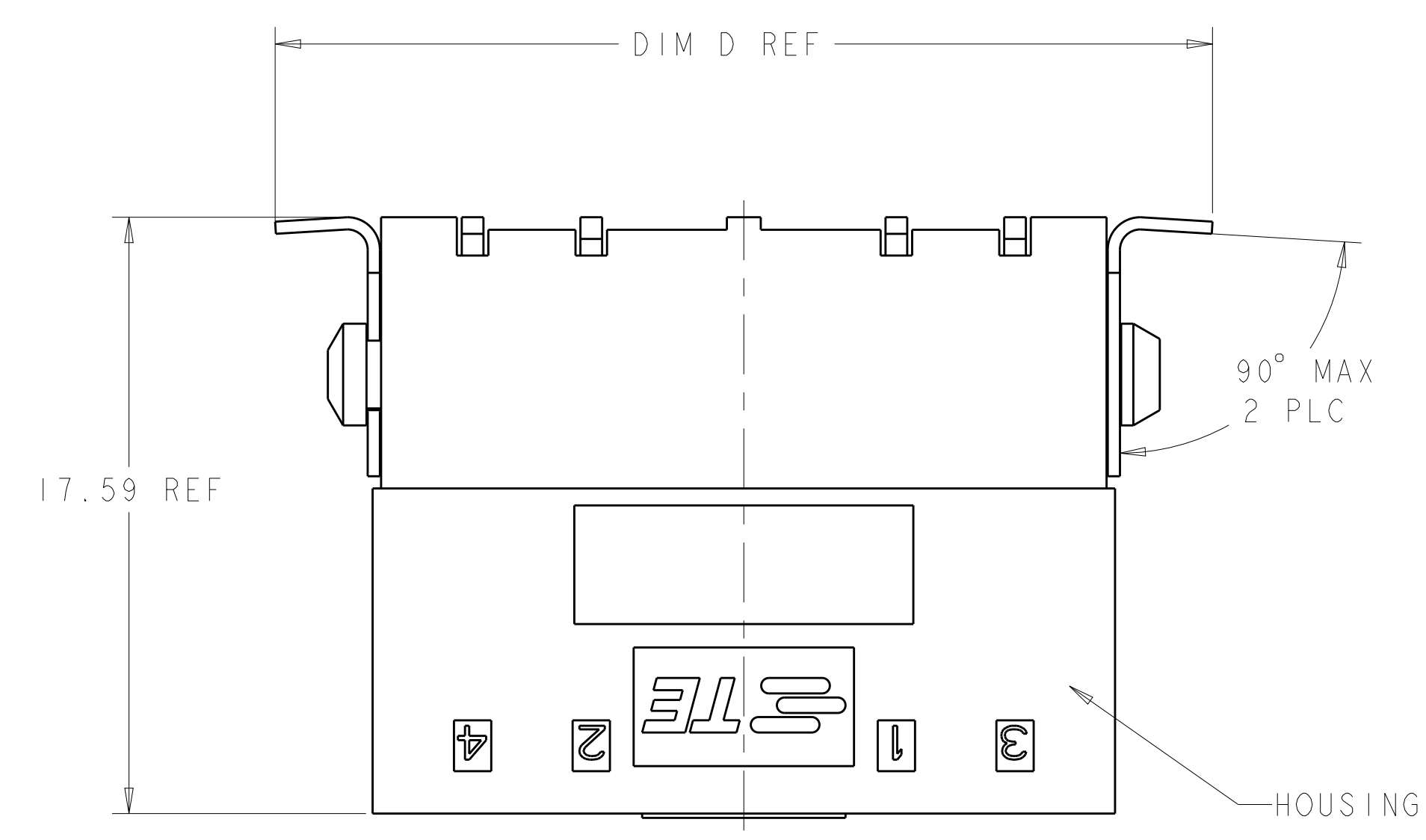
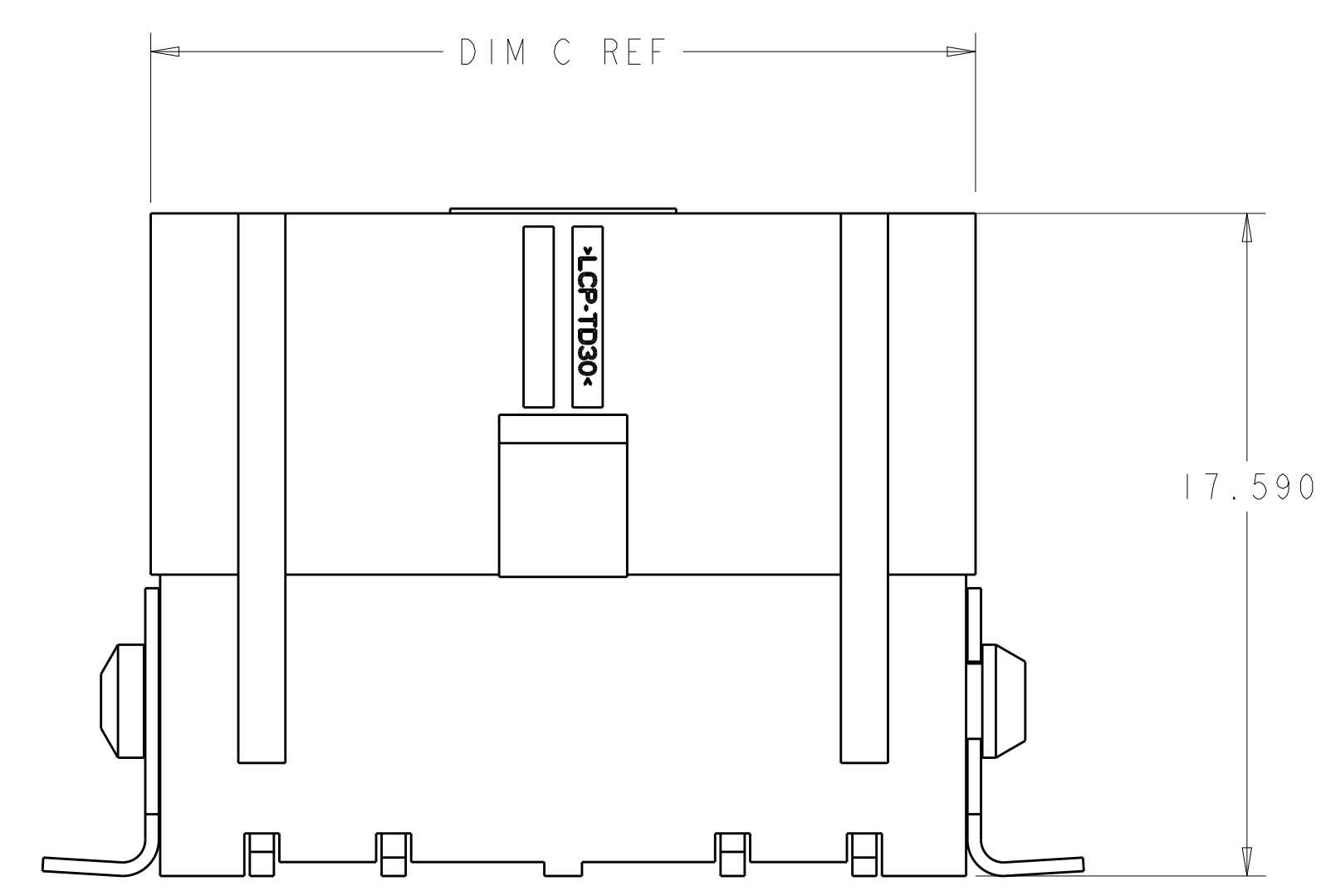
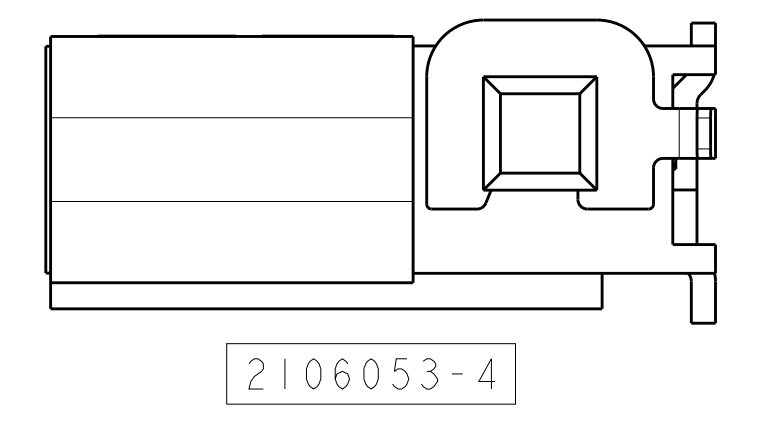
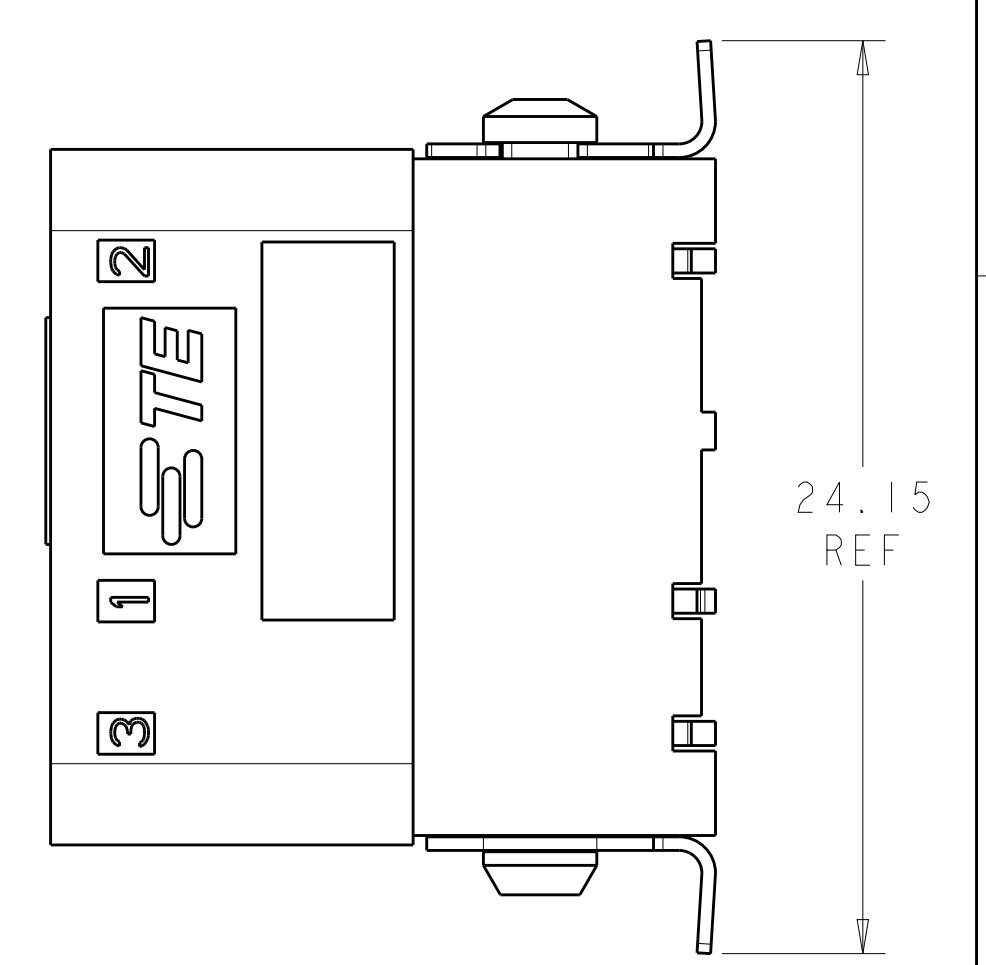
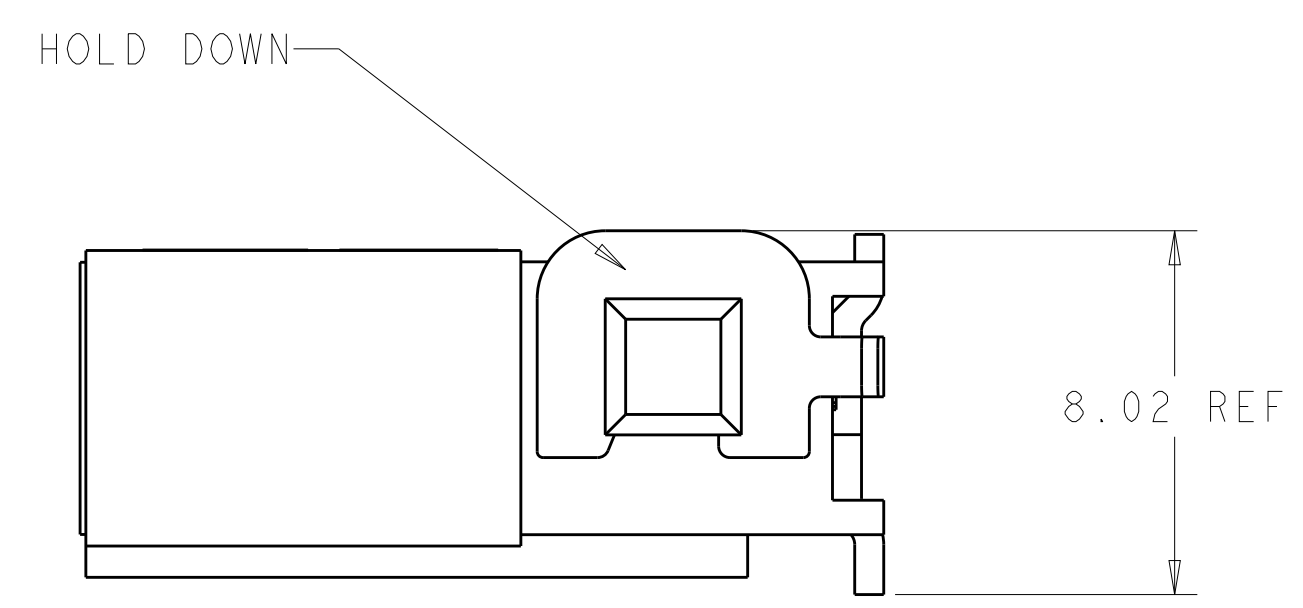
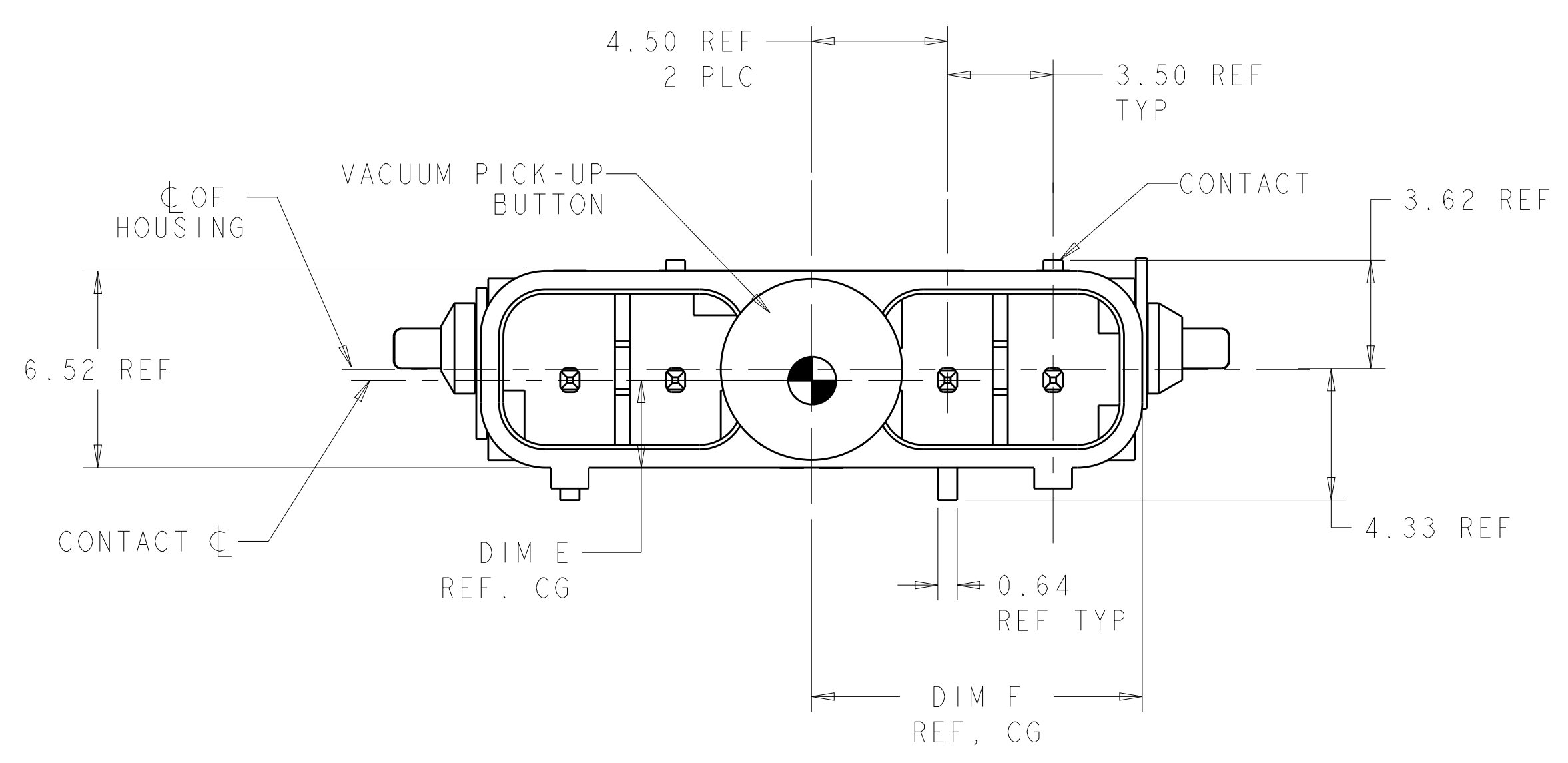
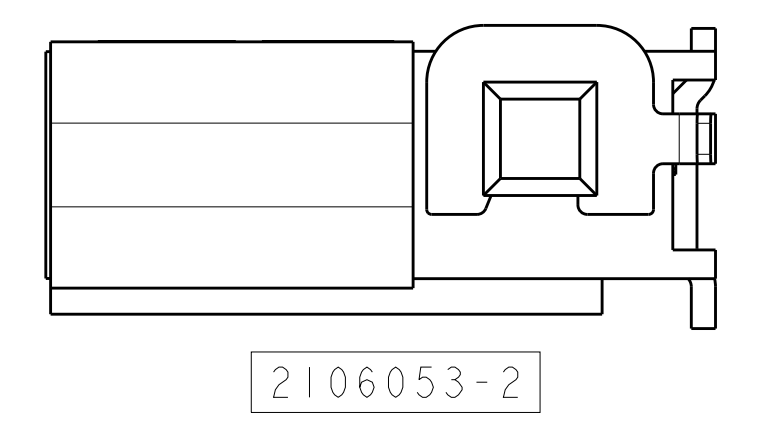
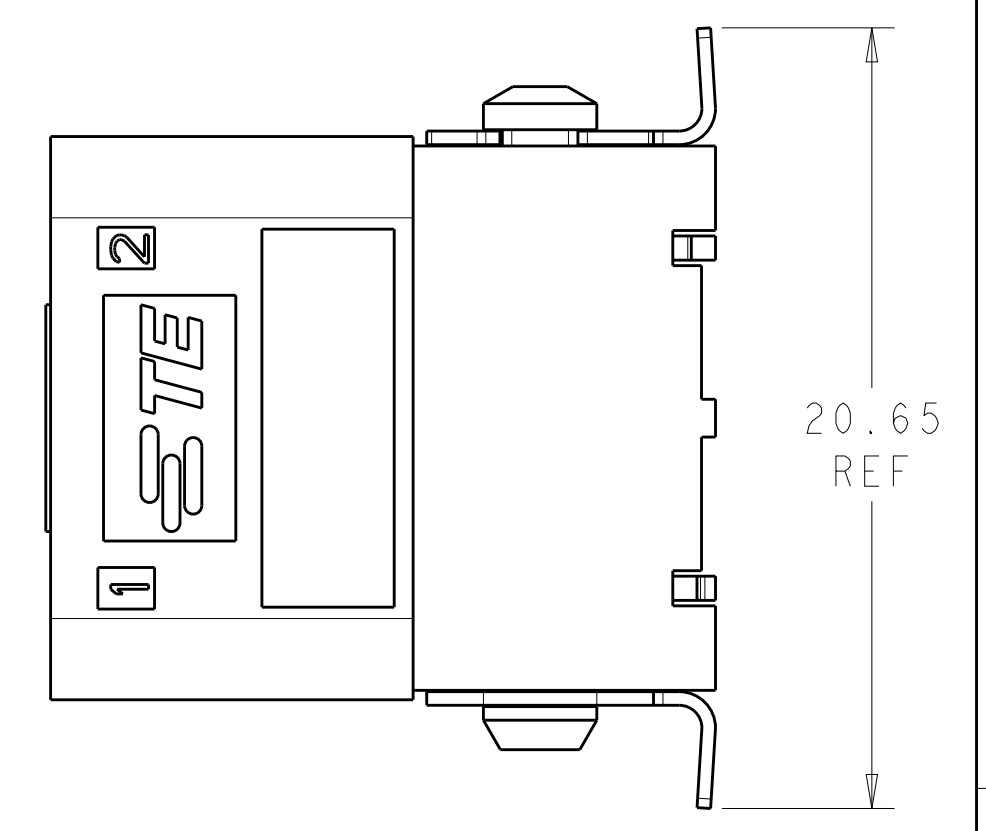


LOC		DIST		REVISIONS			
P	LTN	DESCRIPTION	DATE	DMN	APVD		
A2		REVISED PER ECO-12-003780	25FEB2012	HVG	DD		
B		REVISED PER ECR-13-008007	17SEP2013	RS	DD		
B1		REVISED PER ECR-19-010402	04JUL2019	SR	DD		
B2		REVISED PER ECR-19-019415	16DEC2019	SB	DD		



- 1 MATERIAL: HOUSING: LCP, COLOR: BLACK.
- 2 CONTACTS: BRASS.  
FINISH: 2.54µm MIN MATTE TIN OVER NICKEL (ENTIRE POST).  
HOLDDOWN: COPPER ALLOY.  
FINISH: 2.54µm MIN MATTE TIN OVER NICKEL.
- 3 VACUUM PICK-UP  
BUTTON: POLYIMIDE.
- 4 THIS PRODUCT HAS NOT COMPLETED VALIDATION TESTING.
- 5 RECOMMENDED PC BOARD THICKNESS OF 1.57.
- 6 TAPE AND REEL PACKAGING PER EIA-481 SPEC.
- 7 MUST COMPLY WITH DIRECTIVE 2002/95/EC (ROHS).



10.94	3.19	27.65	21.90	12.46	12.46	4	2106053-6
9.20	3.20	24.15	18.40	8.96	12.46	3	2106053-4
7.44	3.18	20.65	14.90	8.96	8.96	2	2106053-2
DIM F	DIM E	DIM D	DIM C	DIM B	DIM A	POSN	PART NUMBER

THIS DRAWING IS A CONTROLLED DOCUMENT. DMN: MM. VAN SCOYK 23JAN2009  
 CHK: A. BUCHER 23JAN2009  
 APVD: A. BUCHER 23JAN2009

**STE** TE Connectivity

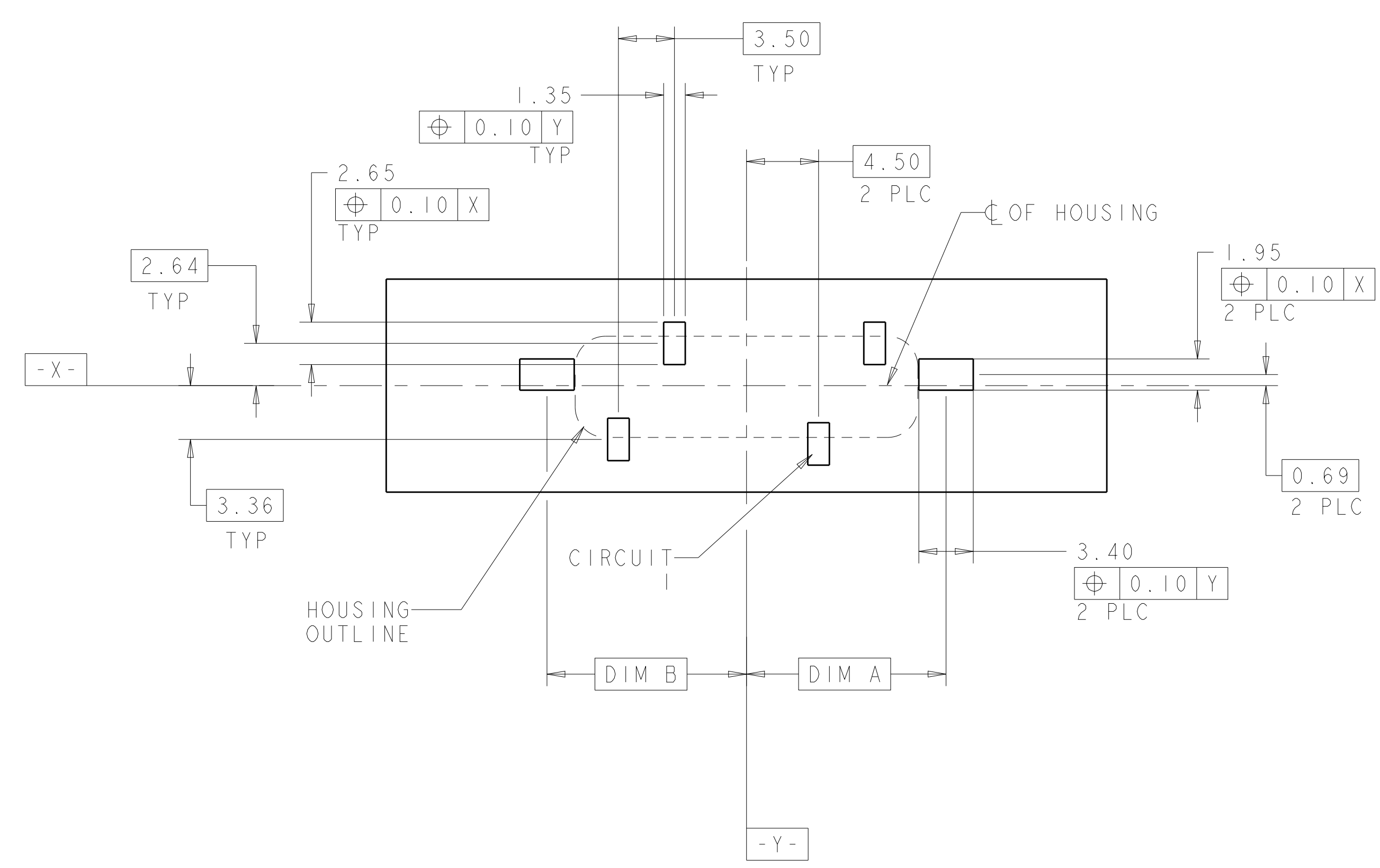
ASSEMBLY, VERTICAL SMT HEADER, SLIMSEAL SSL CONNECTOR

PRODUCT SPEC: 108-2391  
 APPLICATION SPEC: 114-13261  
 WEIGHT: -  
 CUSTOMER DRAWING

DIMENSIONS: mm  
 TOLERANCES UNLESS OTHERWISE SPECIFIED:  
 0 PLC ±0.2  
 1 PLC ±0.15  
 2 PLC ±0.15  
 3 PLC ±0.15  
 4 PLC ±0.15  
 ANGLES ±0.5°

SCALE: 4:1 SHEET 1 OF 2 REV: B2

LOC	DIST	REVISIONS			
P	LTN	DESCRIPTION	DATE	DWN	APVD
-	-	SEE SHEET 1	-	-	-



RECOMMENDED PC BOARD PAD LAYOUT, COMPONENT SIDE  
 DIMENSIONS APPLY TO ALL POSITIONS UNLESS OTHERWISE NOTED

RECOMMENDED SOLDER PASTE VOLUME 1.59 CUBIC MILLIMETERS FOR THE CONTACT AND 1.08 CUBIC MILLIMETERS FOR THE SMT HOLD DOWN WHEN USING 80% METALLIC SOLIDS SOLDER PASTE. THE SOLDER STENCIL THICKNESS SHOULD BE 0.16 mm OR GREATER.

THIS DRAWING IS A CONTROLLED DOCUMENT.		DWN: MM VAN SCOY 23JAN2009	TE Connectivity
DIMENSIONS: mm		CHK: A. BUCHER 23JAN2009	
TOLERANCES UNLESS OTHERWISE SPECIFIED: 0 PLC ±0.2 1 PLC ±0.15 2 PLC ±0.1 3 PLC ±0.1 4 PLC ±0.1 ANGLES ±0°		APVD: A. BUCHER 23JAN2009	NAME: ASSEMBLY, VERTICAL SMT HEADER, SLIMSEAL SSL CONNECTOR
MATERIAL: FINISH:		PRODUCT SPEC: 108-2391	RESTRICTED TO:
		APPLICATION SPEC: 114-13261	SIZE: A1
		WEIGHT: -	CAGE CODE: 2106053
		CUSTOMER DRAWING	SCALE: 4:1 SHEET 2 OF 2 REV: B2

单击下面可查看定价，库存，交付和生命周期等信息

[>>TE Connectivity\(泰科\)](#)