

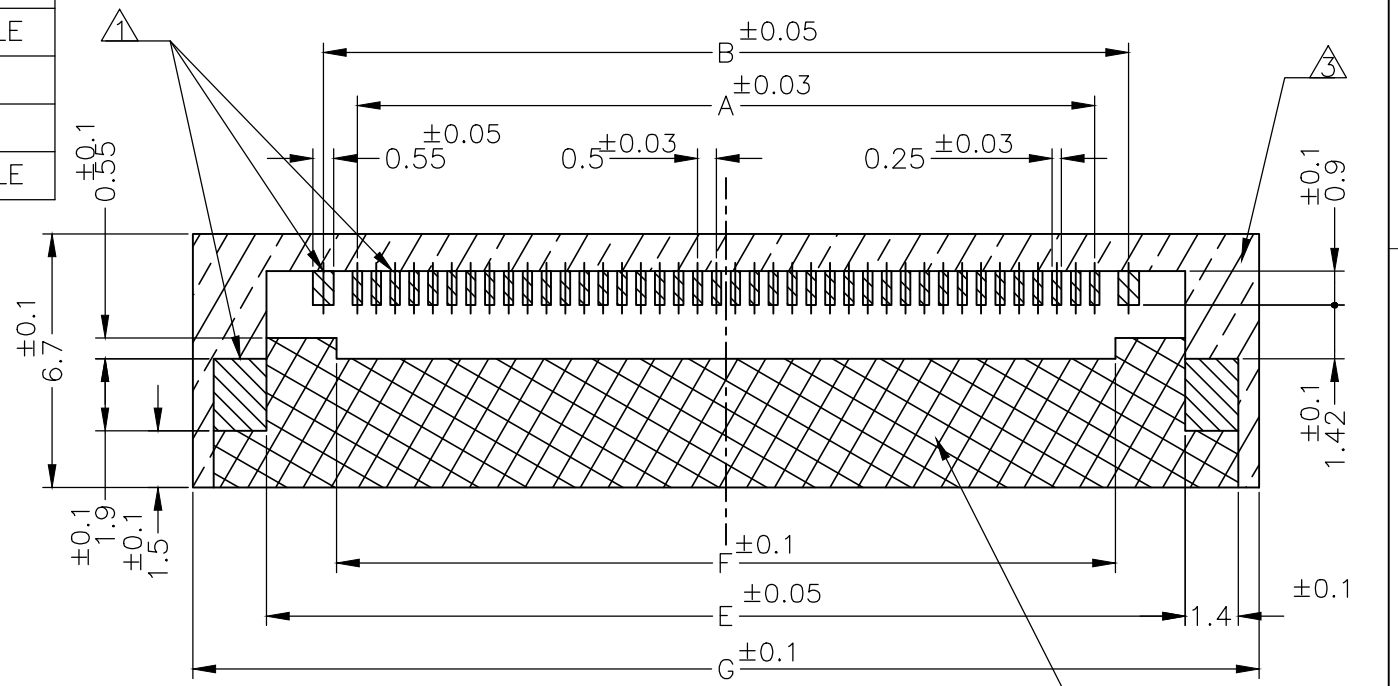
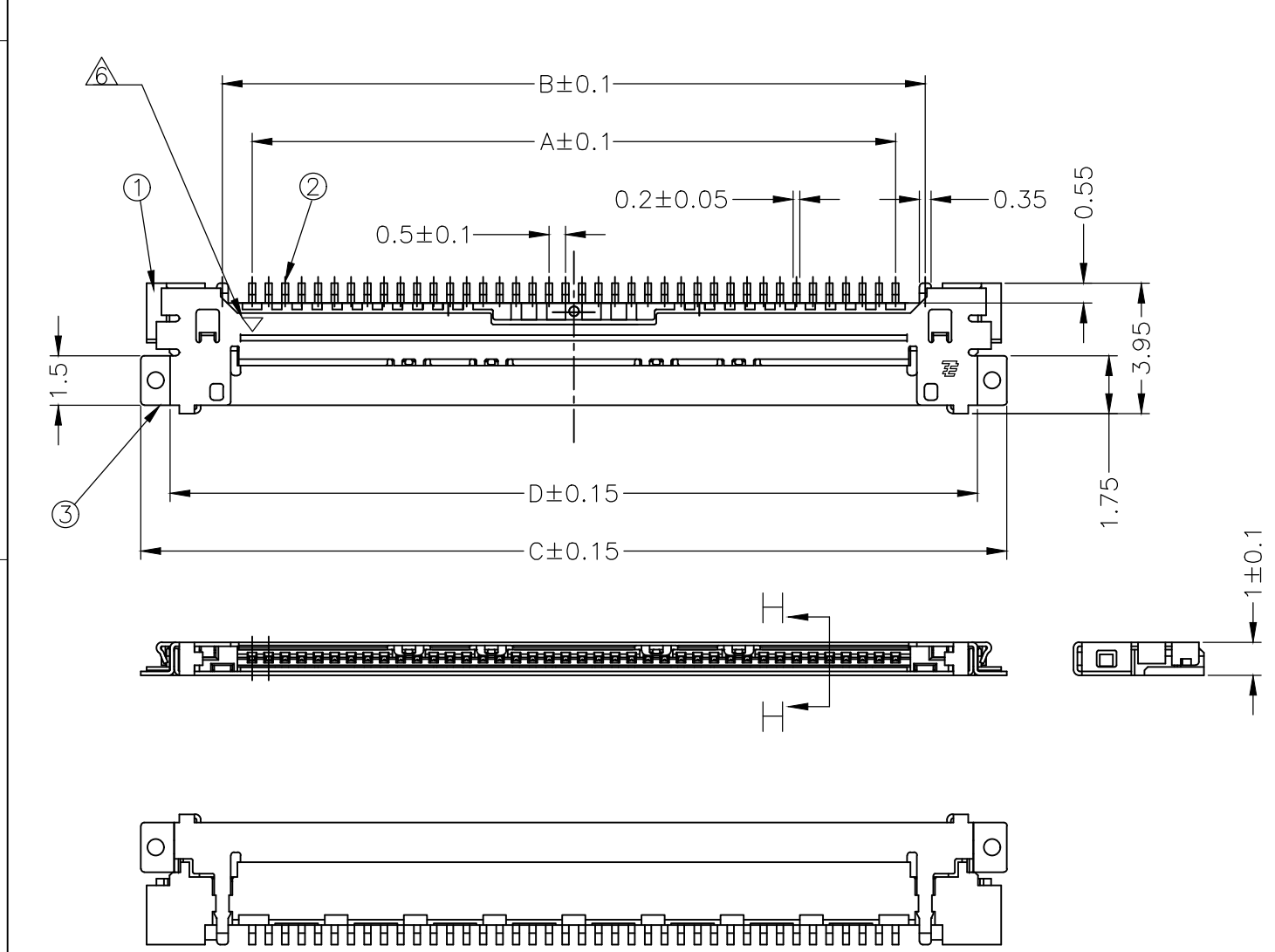
THIS DRAWING IS UNPUBLISHED. RELEASED FOR PUBLICATION

© COPYRIGHT - By - ALL RIGHTS RESERVED.

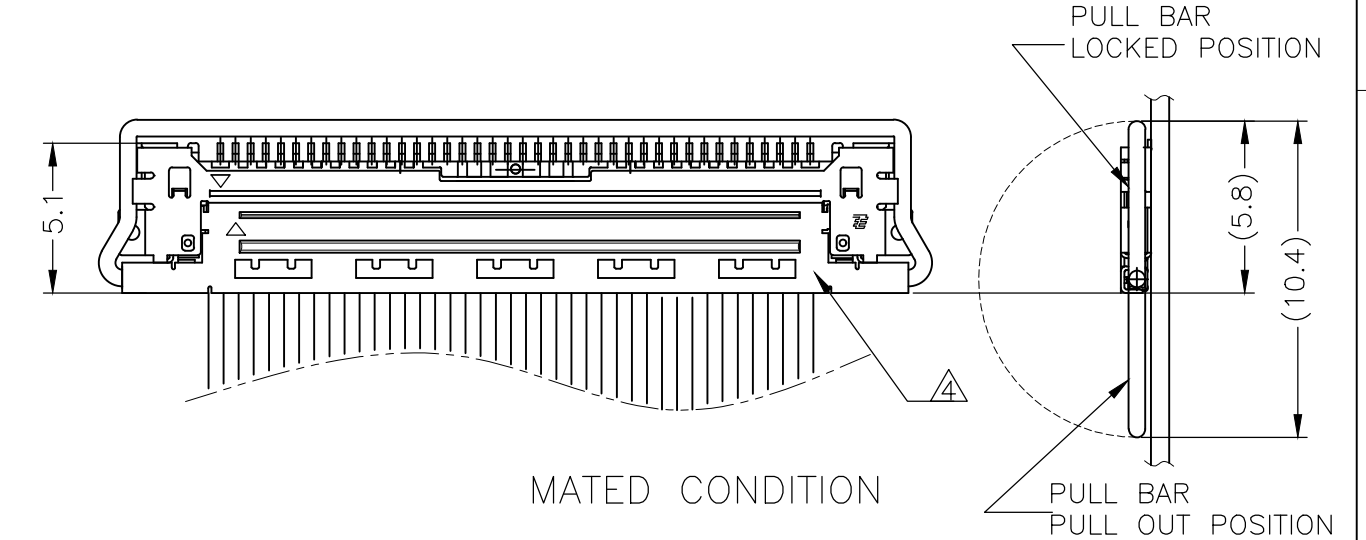
PART NO.	POS NO.	A	B	C	D	E	F	G	DATUM MARK \triangle	TOOLING STATUS
2069716-3	40	19.5	21.3	26.25	24.47	24.3	20.6	28.2	WITHOUT DATUM MARK	OBSOLETE
2069716-2	30	14.5	16.3	21.25	19.47	19.3	15.6	23.2		NOT AVAILABLE
2069716-1	20	9.5	11.3	16.25	14.47	14.3	10.6	18.2		NOT AVAILABLE
5-2069716-3	40	19.5	21.3	26.25	24.47	24.3	20.6	28.2	WITH DATUM MARK	OBSOLETE
5-2069716-2	30	14.5	16.3	21.25	19.47	19.3	15.6	23.2		OBSOLETE
5-2069716-1	20	9.5	11.3	16.25	14.47	14.3	10.6	18.2		NOT AVAILABLE

REVISIONS				
P	LTR	DESCRIPTION	DATE	APVD
	C	REVISED (ECO-19-000017)	14JAN2019	K.G W.H

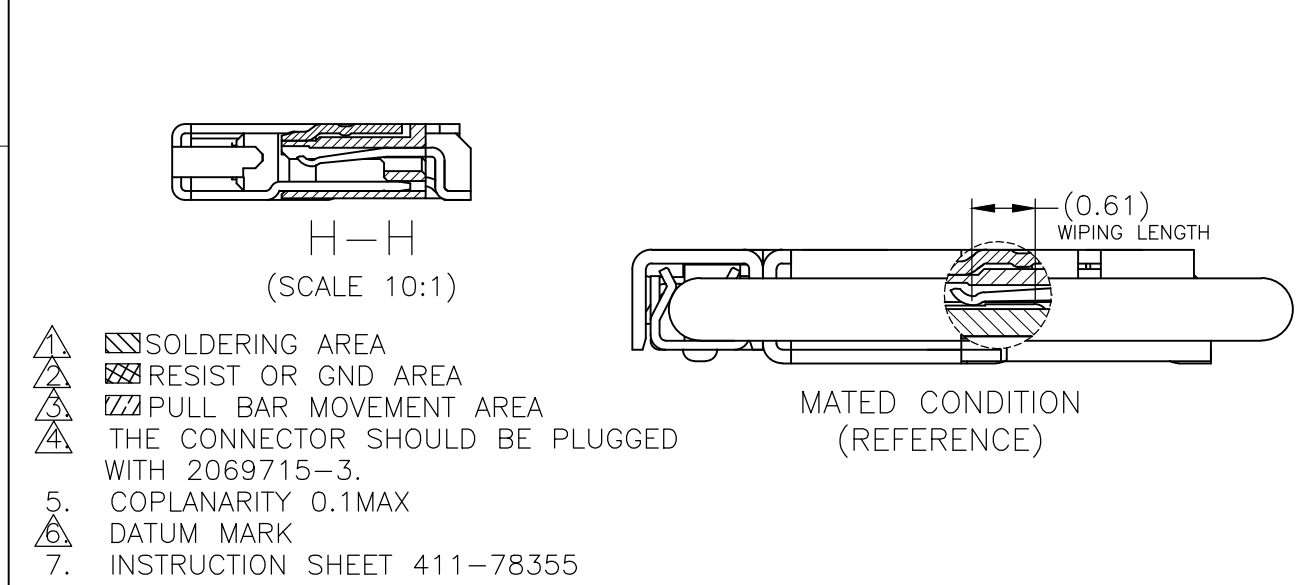
5-2069716-3 AS SHOWN



REFERENCE PWB LAYOUT



MATED CONDITION



ITEM	PART NAME	MATERIAL & FINISH
③	SHELL	COPPER ALLOY, Au OVER Ni
②	CONTACT	COPPER ALLOY, Au OVER Ni
①	HOUSING	HIGH TEMP. THERMOPLASTIC, UL94V-0, BLACK

THIS DRAWING IS A CONTROLLED DOCUMENT.

DWN	Y.SHINO	18SEP2009	 TE Connectivity	NAME LCD COAXIAL EMBEDDED DISPLAY INTERFACE (LCEDI) 0.5mm PITCH RECEPTACLE ASSEMBLY
CHK	S.KAJINUMA	18SEP2009		
APVD	S.KAJINUMA	18SEP2009		
PRODUCT SPEC	108-78659			
APPLICATION SPEC			SIZE	A3
WEIGHT			CAGE CODE	00779
CUSTOMER DRAWING			DRAWING NO	C-2069716
			RESTRICTED TO	
			SCALE	5:1
			SHEET	1 OF 2
			REV	C

THIS DRAWING IS UNPUBLISHED.

RELEASED FOR PUBLICATION

ALL RIGHTS RESERVED.

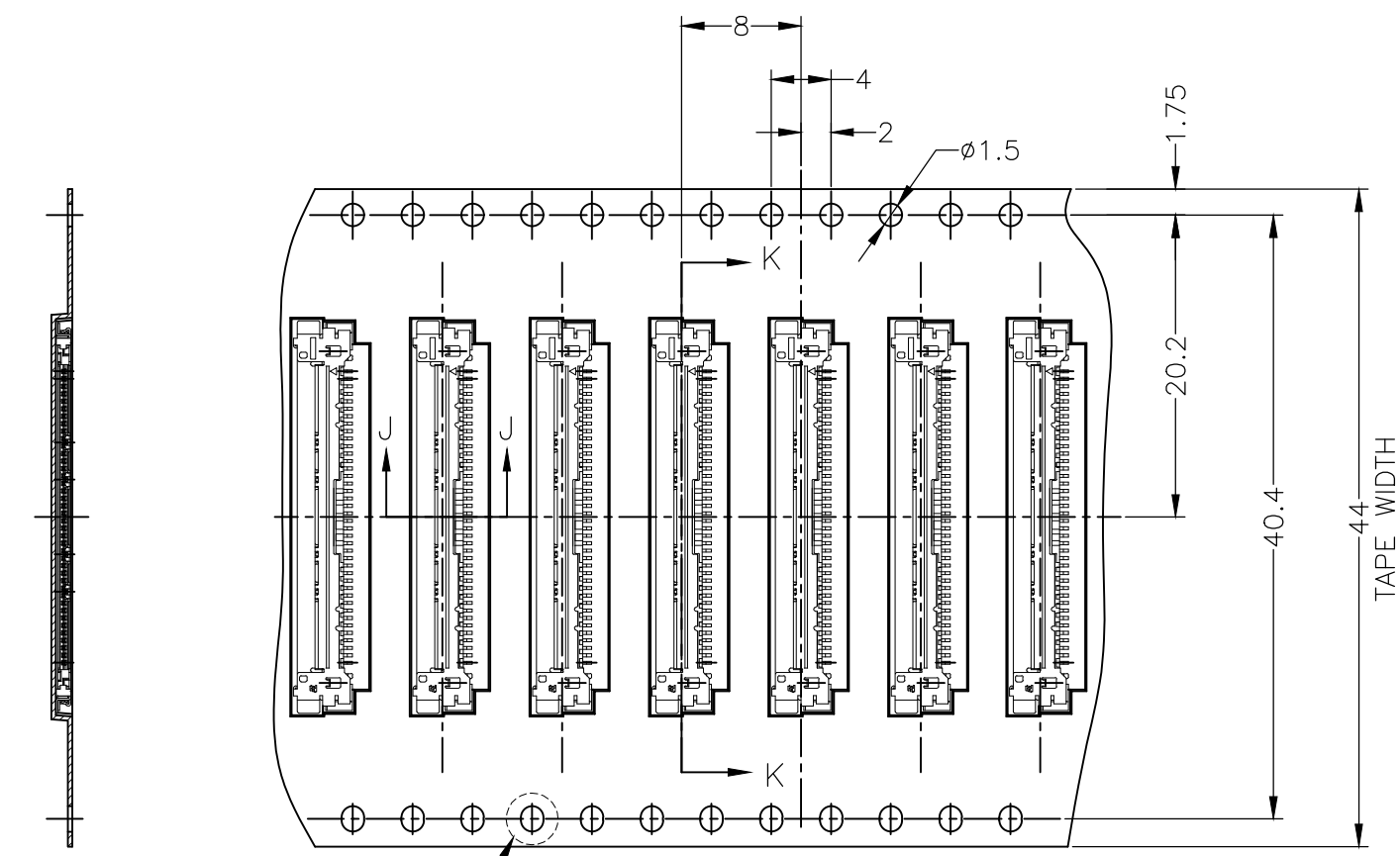
© COPYRIGHT - By -

REVISIONS

P	LTR	DESCRIPTION	DATE	DWN	APVD
-	-	SEE SHEET 1	-	-	-

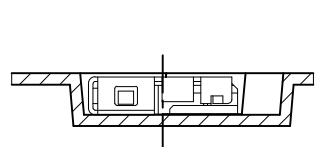
EMBOSS PACKING CONDITION

DIRECTION OF TOP OF REEL →

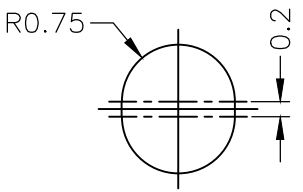


K-K

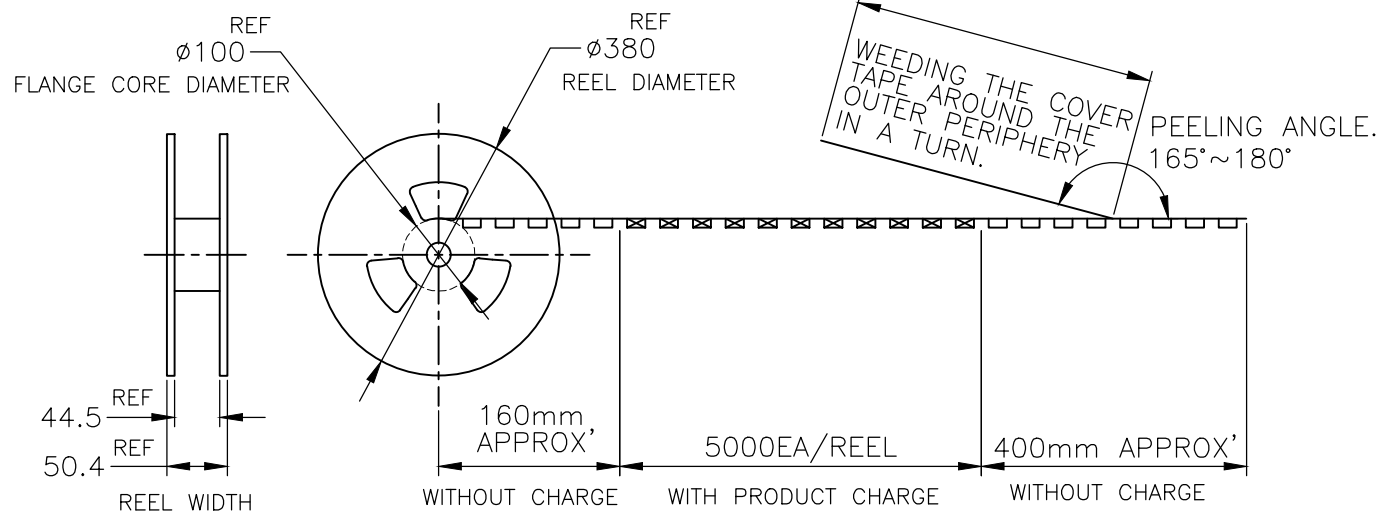
DETAIL L



J-J SCALE 5:1



DETAIL L SCALE 10:1



THIS DRAWING IS A CONTROLLED DOCUMENT.		DWN	-		
		CHK	-		
		APVD	-		
		PRODUCT SPEC	-		
		APPLICATION SPEC	-		
		WEIGHT	-		
		CUSTOMER DRAWING	-		
DIMENSIONS: mm		TOLERANCES UNLESS OTHERWISE SPECIFIED:			
		0 PLC	± 0.3		
		1 PLC	± 0.3		
		2 PLC	± 0.3		
		3 PLC	± 0.3		
		4 PLC ANGLES	$\pm 3'$		
MATERIAL		FINISH			
		-			
		TE Connectivity			
		NAME			
		LCD COAXIAL EMBEDDED DISPLAY INTERFACE (LCEDI) 0.5mm PITCH CONNECTOR RECEPTACLE ASSEMBLY			
SIZE	CAGE CODE	DRAWING NO	RESTRICTED TO		
A3	00779	C-2069716	-		
SCALE		SHEET	REV		
2:1		2 of 2	C		

单击下面可查看定价，库存，交付和生命周期等信息

[>>TE Connectivity\(泰科\)](#)