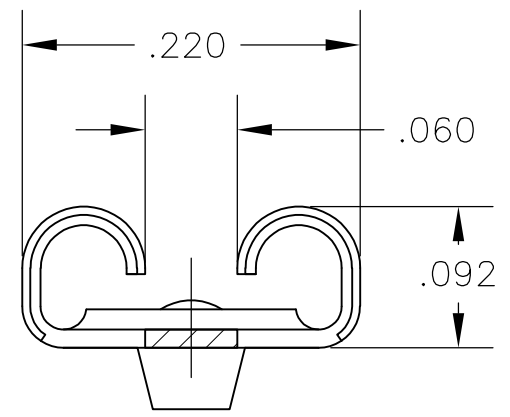
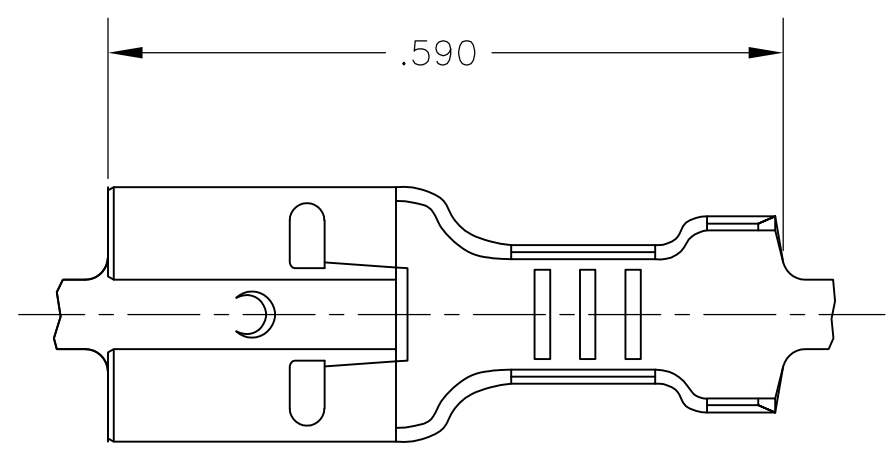
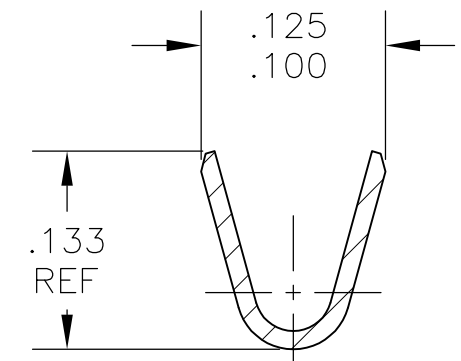
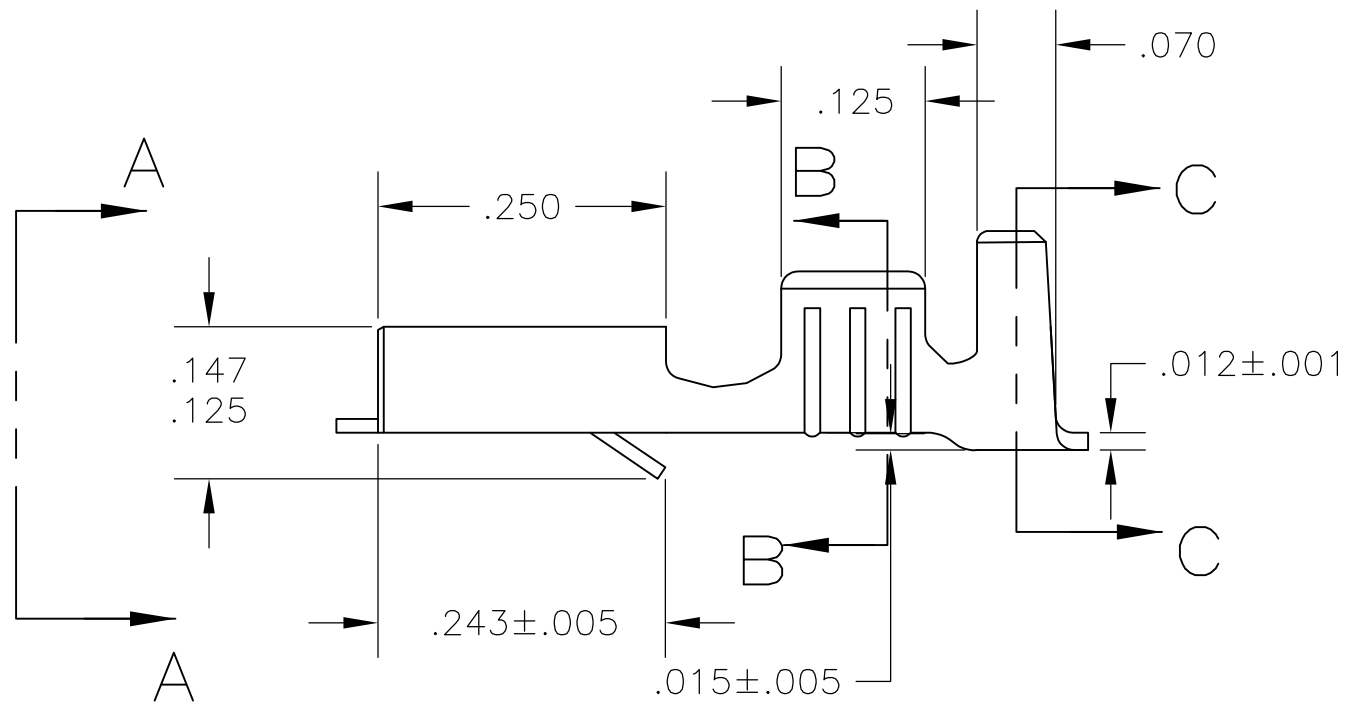


THIS DRAWING IS UNPUBLISHED. RELEASED FOR PUBLICATION
 © COPYRIGHT - By - ALL RIGHTS RESERVED.

LOC	DIST	REVISIONS					
AF	50	P	LTR	DESCRIPTION	DATE	DWN	APVD
		L		REVISED PER ECR-13-004074	27AUG2013	KH	PD

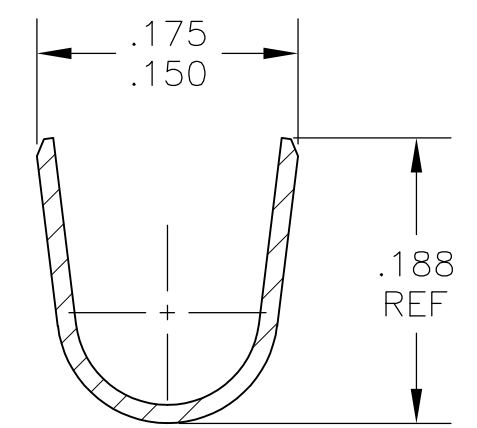


VIEW A-A
SCALE 8:1



SECTION B-B
SCALE 8:1

- 1 CONTINUOUS STRIP ON REELS.
- 2 WIRE SIZE IS #22-#16 AWG
- 3 INSULATION RANGE IS .090-.130 DIA.
- 4 MATING TAB THK IS .032±.001



SECTION C-C
SCALE 8:1

TIN	62802-2
-	62802-1
FINISH	PART NO.

THIS DRAWING IS A CONTROLLED DOCUMENT.		DWN	JR RUTH	10/31/89	TE Connectivity			
DIMENSIONS: INCHES		CHK	MS FEHER	10/31/89				
		APVD	J GILLESPIE	2/20/90				
TOLERANCES UNLESS OTHERWISE SPECIFIED:		PRODUCT SPEC		NAME				RECEPTACLE, FASTON-FASTON, .187 SERIES
MATERIAL: BRASS		FINISH: SEE TABLE		APPLICATION SPEC	SIZE	CAGE CODE	DRAWING NO	RESTRICTED TO
				WEIGHT	A3 00779		C-62802	
CUSTOMER DRAWING				SCALE	6:1	SHEET	1 OF 1	REV L

单击下面可查看定价，库存，交付和生命周期等信息

[>>TE Connectivity\(泰科\)](#)