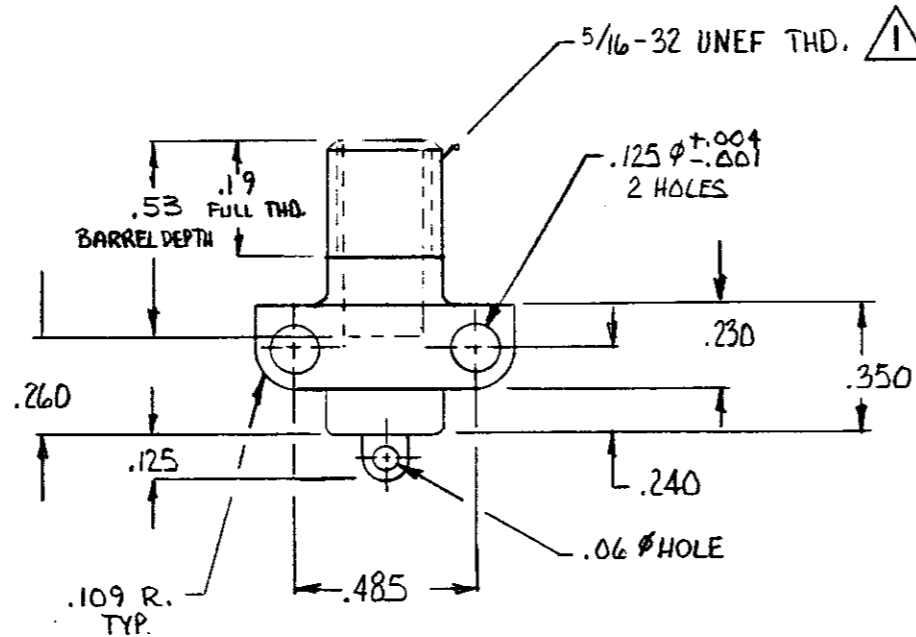
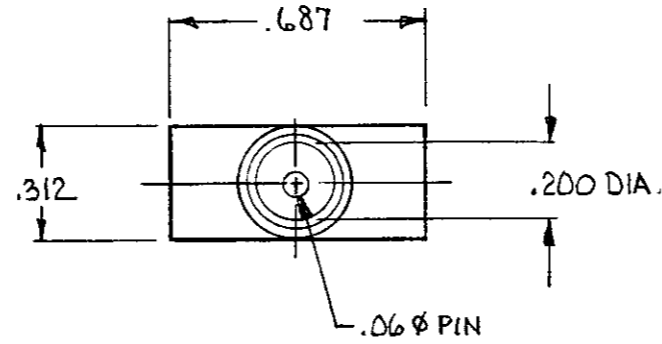


© COPYRIGHT 1980 BY AMP INCORPORATED, HARRISBURG, PA.  
 ALL INTERNATIONAL RIGHTS RESERVED. AMP INCORPORATED PRODUCTS  
 COVERED BY U.S. AND FOREIGN PATENTS AND/OR PATENTS PENDING.

REVISIONS						
P	F	ZONE	LTR	DESCRIPTION	DATE	APPROVED
			0	SK-01481-2		
	✓	A		REV PER ECN S-3960	4/16/87	RB



⚠ PER FEDERAL STANDARD H-28 3 WIRE METHOD.  
 DIMENSION OVER WIRES TO BE: .307-.318

866803-1 AS SHOWN

				UNLESS OTHERWISE SPECIFIED DIMENSIONS ARE IN INCHES. TOLERANCES: .00 ± .03 .000 ± .010 ANGLES ±		CONTRACT NO		AMP INCORPORATED Elizabethtown, Pa.	
				MATERIAL		DR <i>9/3/80</i>		NAME LGH 1/2 (RECEPTACLE WITH MOUNTING HOLES) LGH	
				FINISH		CHK		SIZE B	
				NEXT ASSY		APPD <i>[Signature]</i>		CODE IDENT NO 00779	
				FINAL ASSY		DESIGN APPD		DRAWING NO 866803	
				NEXT ASSY		OTHER APPD		SCALE <i>1x</i>	
				USED ON				SHEET 1 of 1	
QTY REQD		APPLICATION							

单击下面可查看定价，库存，交付和生命周期等信息

[>>TE Connectivity\(泰科\)](#)