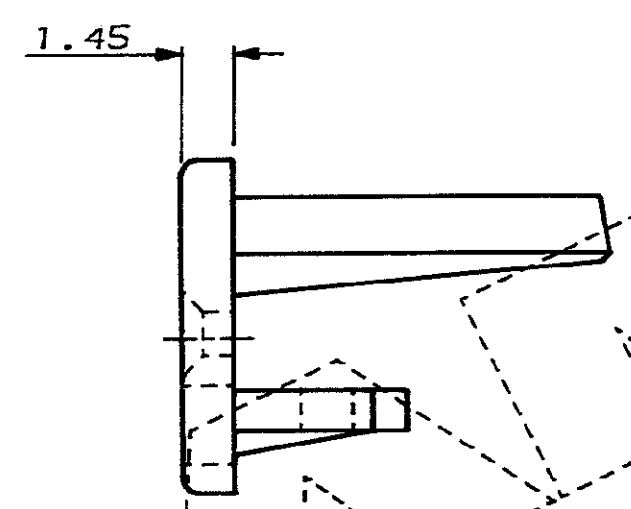
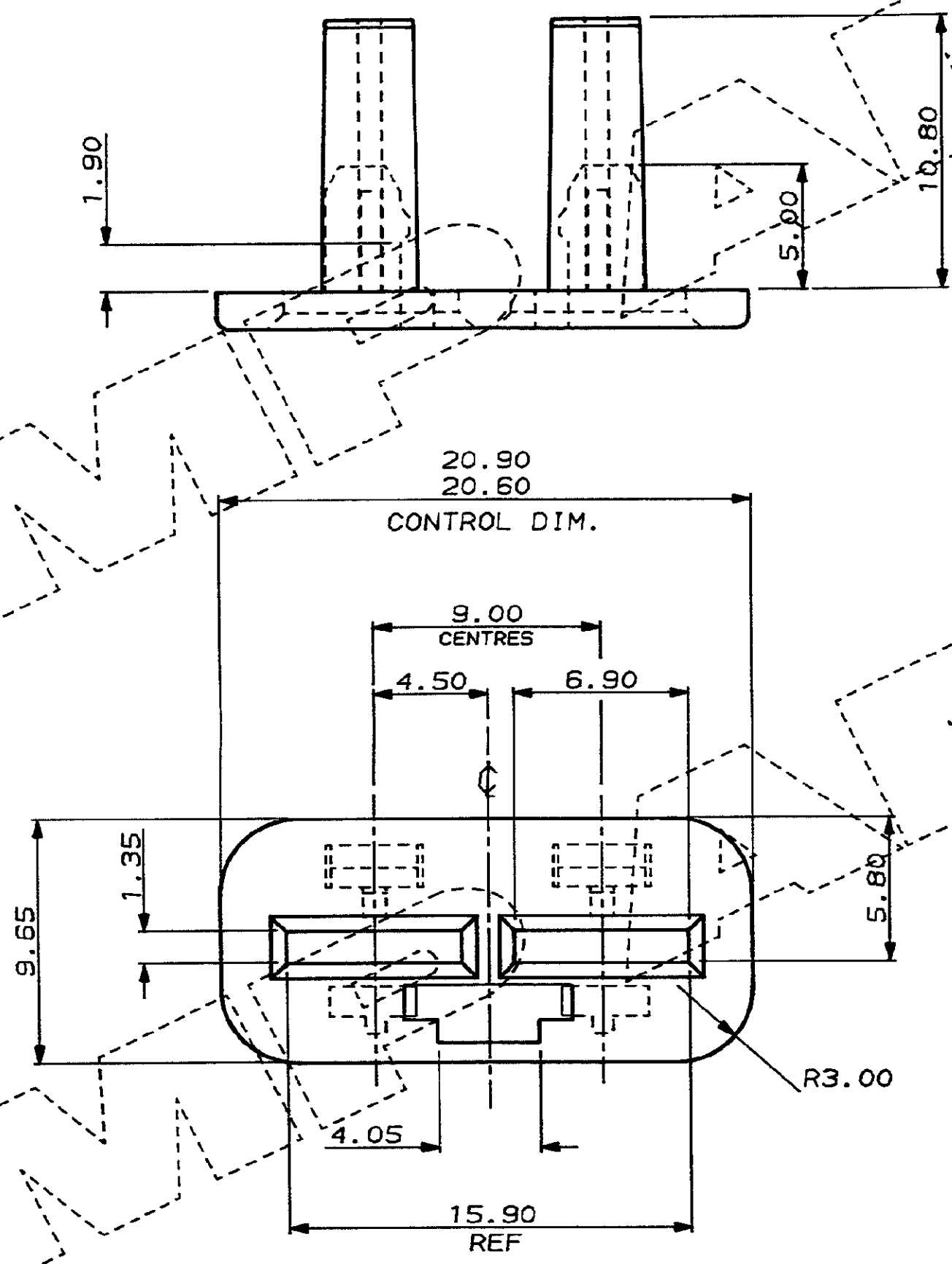
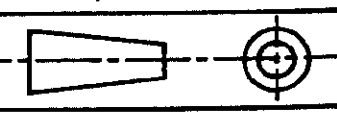


C.A.D. FILE CODE
S.C344089.B

DO NOT SCALE DIMENSIONS IN MM.



WHITE	NYLON 6.6	344089-1
FINISH	MATERIAL	PART NUMBER
CUSTOMER DWG FOR REFERENCE ONLY	© COPYRIGHT 1987 BY AMP OF GREAT BRITAIN LTD. ALL INTERNATIONAL RIGHTS RESERVED. ALL PRODUCTS MAY BE COVERED BY BRITISH AND FOREIGN PATENTS AND/OR PATENTS PENDING.	RELEASED FOR PUBLICATION 2.6.87
-	TOLERANCES UNLESS OTHERWISE STATED :	DR. R. J. S. 2.6.87
-	DEC ± 0.5	CH. R. S. 2.6.87
-	ANGLES ± 1°	APP. B. J. 2.6.87
B UPDATED	CS241 12.6.88	AMP TERMINAL HOUSE STANMORE MIDDX.
A UPDATED	C4888 12.7.88	
O REL. FOR PROD.	C4891 8/3/88	NAME A/BACK FOR 2 WAY REC. HSG. ECONOSEAL 3 HIGH CURRENT
REV APPROVED	ECN DATE	SCALE LOG SIZE DWG.No. REV SHEET
		5/1 E A2 C344089 B 1/1

单击下面可查看定价，库存，交付和生命周期等信息

[>>TE Connectivity\(泰科\)](#)