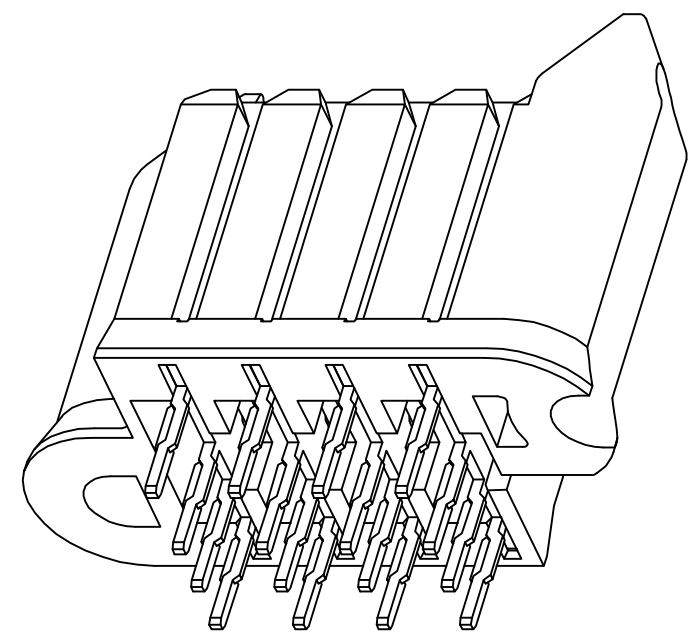
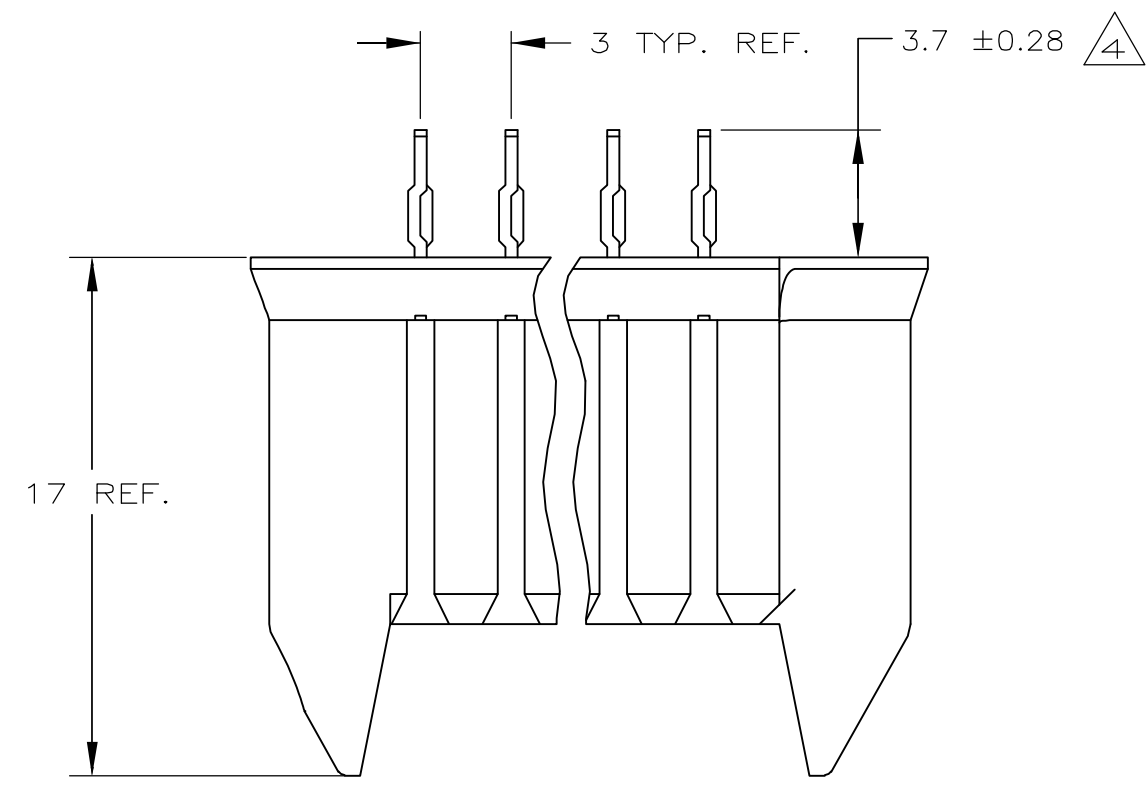
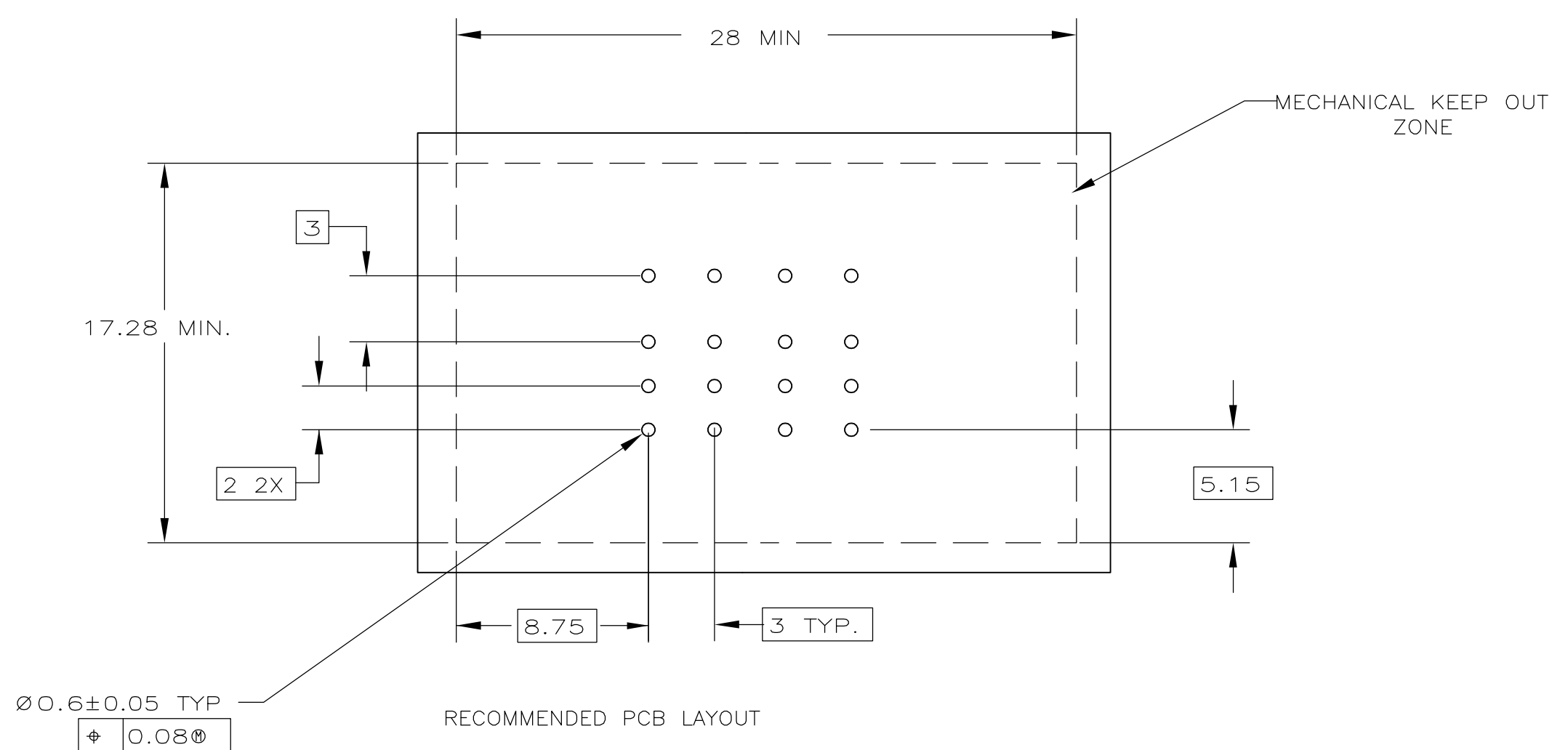
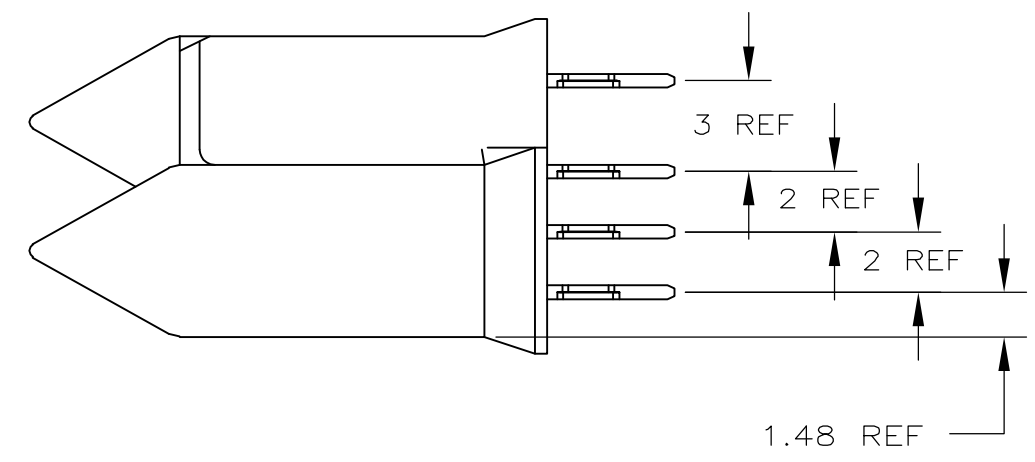
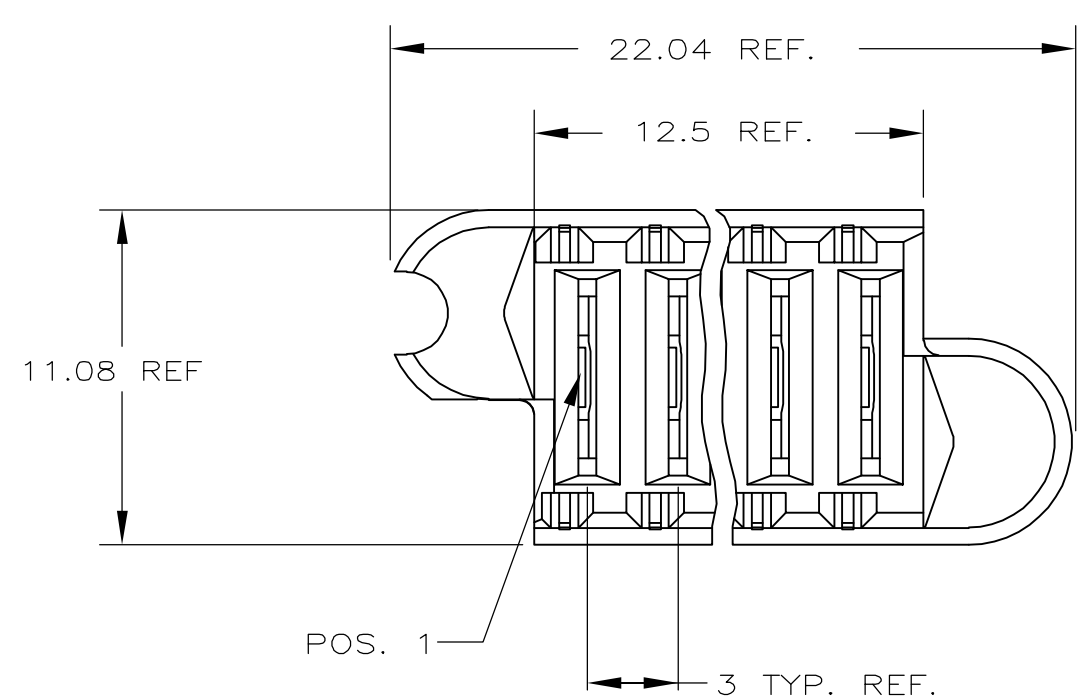


THIS DRAWING IS UNPUBLISHED. RELEASED FOR PUBLICATION
 © COPYRIGHT BY TYCO ELECTRONICS CORPORATION. ALL RIGHTS RESERVED.

LOC	DIST	REVISIONS			
P	LTR	DESCRIPTION	DATE	DWN	APVD
GP	00	A	RELEASE	20OCT05	RG AWF



- 1 MATERIAL: HOUSING - HIGH TEMP THERMO PLASTIC (UL 94 V-0), BLACK
- 2 CONTACT MATERIAL : HIGH - CONDUCTIVITY COPPER ALLOY
- 3 CONTACT PLATING: 1.27 μm MIN AU OVER 1.27 μm Ni ON CONTACT AREA. SnPb OVER Ni ON TAILS
- 4 DIMENSION APPLIES AFTER CONNECTOR IS APPLIED TO PCB.



THIS DRAWING IS A CONTROLLED DOCUMENT.		DWN	R.GRZYBOWSKI	20OCT05	 Tyco Electronics Corporation Harrisburg, PA 17105-3608	
DIMENSIONS: mm		CHK	A.FRANTUM	20OCT05		
TOLERANCES UNLESS OTHERWISE SPECIFIED:		APVD	S.FLICKINGER	20OCT05		
0 PLC ± - 1 PLC ± 0.25 2 PLC ± 0.13 3 PLC ± 0.05 4 PLC ± 0.025 ANGLES ± 2°		PRODUCT SPEC	108-1998			
MATERIAL		APPLICATION SPEC	114-13067		NAME	MINI POWER DRAWER RECEPTACLE ASSEMBLY PRESS FIT
FINISH		WEIGHT	-		SIZE	A2
CUSTOMER DRAWING		SCALE	1:1		CAGE CODE	00779
		SHEET	1 of 1		DRAWING NO	C=1888177
		REV	A		RESTRICTED TO	-

1888177

单击下面可查看定价，库存，交付和生命周期等信息

[>>TE Connectivity\(泰科\)](#)