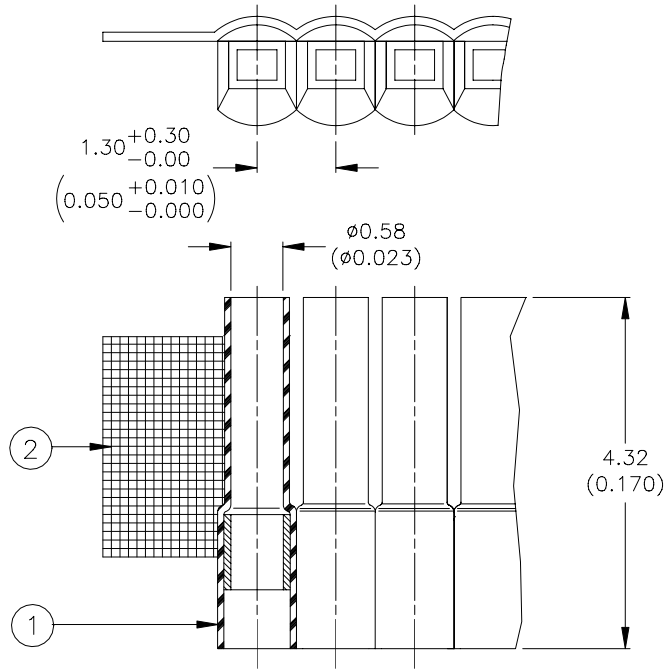


SPECIFICATION CONTROL DRAWING



MATERIALS

1. SOLDER SLEEVE WIRE TERMINATOR: D-141-0169, Quantity Per Assembly: 1000
2. CARRIER STRIP: Adhesive Coated High Temperature Tape

APPLICATION

1. This assembly is designed to be used on Raychem MTC50-YXX-015/-016 connectors. See Raychem Specification Control Drawing D-141-0169 for wire accommodation.
2. Wire terminators are to be inspected to Raychem Devices Specification Control Drawing D-141-0169.

tyco / Electronics / Raychem		Wire and Harnessing Products		TITLE: SOLDERPAK ASSEMBLY FOR MTC50 CONNECTORS					
307 Constitution Drive, Menlo Park, CA 94025, USA									
Unless otherwise specified dimensions are in millimeters. Inches dimensions are in between brackets.				DOCUMENT NO.: D-713-0006					
TOLERANCES: 0.00 N/A 0.0 N/A 0 N/A		ANGLES: N/A ROUGHNESS IN MICRON		Tyco Electronics reserves the right to amend this drawing at any time. Users should evaluate the suitability of the product for their application.		DCR NUMBER: D010442		REPLACES: N/A	
DRAWN BY: M. FORONDA		DATE: 18-July-01		PROD. REV. A		DOC ISSUE: 1	SCALE: None	SIZE: A	SHEET: 1 of 1

If this document is printed it becomes uncontrolled. Check for the latest revision.

单击下面可查看定价，库存，交付和生命周期等信息

[>>TE Connectivity\(泰科\)](#)