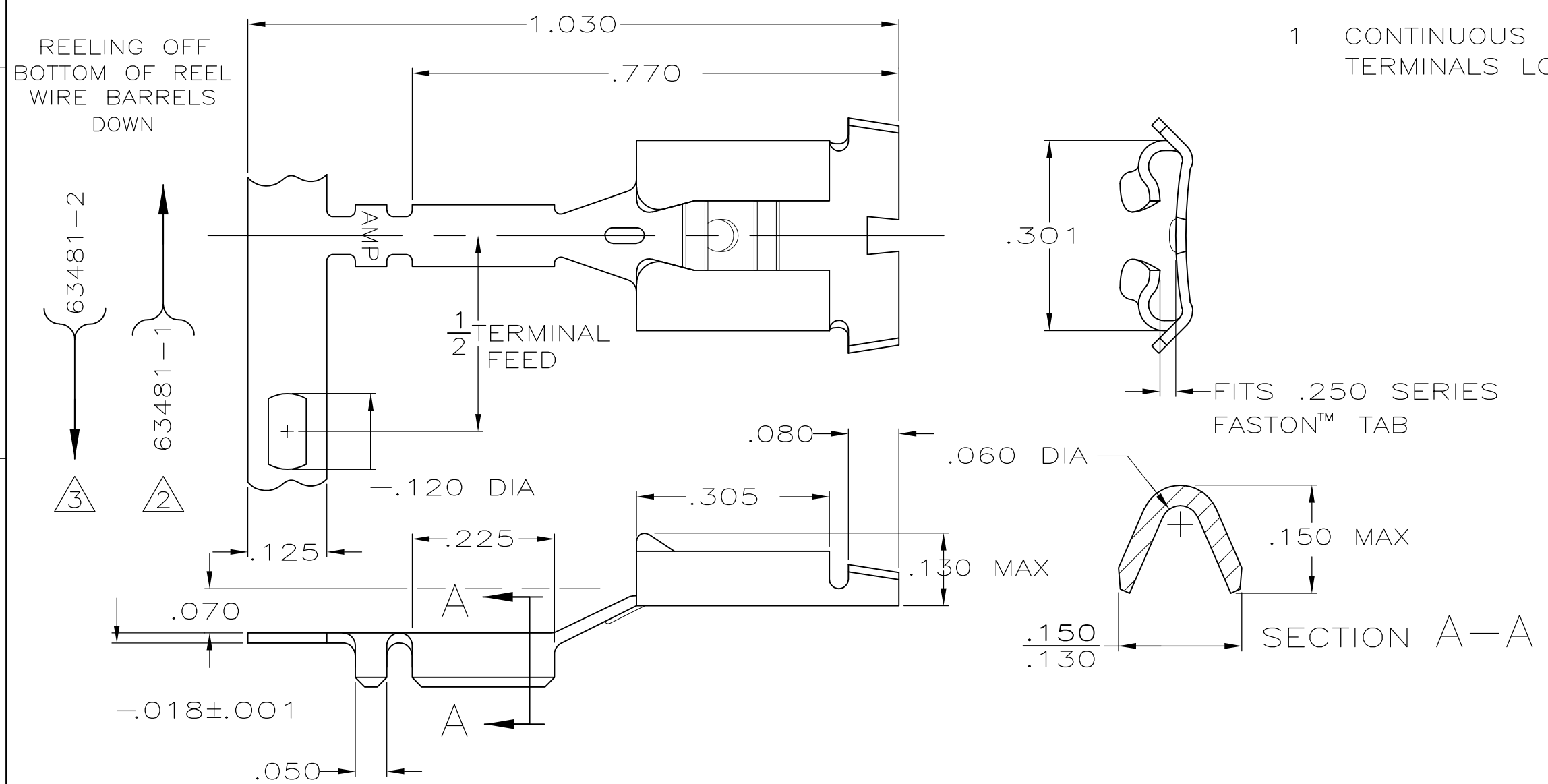
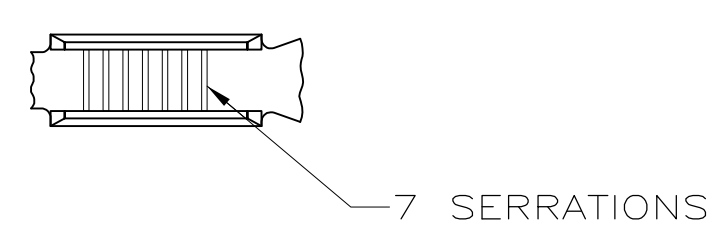


THIS DRAWING IS UNPUBLISHED. RELEASED FOR PUBLICATION
 © COPYRIGHT - By - ALL RIGHTS RESERVED.

LOC	DIST	REVISIONS			
P	LTR	DESCRIPTION	DATE	DWN	APVD
AF	50	E	REVISE PER ECR-13-013738	28AUG2014	GRZ JL



1 CONTINUOUS STRIP ON REELS WITH TERMINALS LOCATED ON .620 CENTERS.



3	.032	#21-#15 AWG	63481-2
2			63481-1
REELING	MATING TAB THK ±.001	MAGNET WIRE RANGE	PART NUMBER

THIS DRAWING IS A CONTROLLED DOCUMENT.		DWN - M.S. FEHER 1/24/87	TE Connectivity STATOR RECEPTACLE AMPLIVAR™			
DIMENSIONS: INCHES		CHK - G YETTER 1-24-86				
TOLERANCES UNLESS OTHERWISE SPECIFIED:		APVD - D SCHWENK 1-24-86				
0 PLC ± - 1 PLC ± - 2 PLC ± - 3 PLC ± .010 4 PLC ± - ANGLES ± -		PRODUCT SPEC - C G ATHERTON 1-24-86				
MATERIAL: BRASS	FINISH: PRE-TIN	APPLICATION SPEC	SIZE: A3	CAGE CODE: 00779	DRAWING NO: C-63481	RESTRICTED TO: -
CUSTOMER DRAWING			SCALE: 5:1	SHEET: 1 OF 1	REV: E	

单击下面可查看定价，库存，交付和生命周期等信息

[>>TE Connectivity\(泰科\)](#)