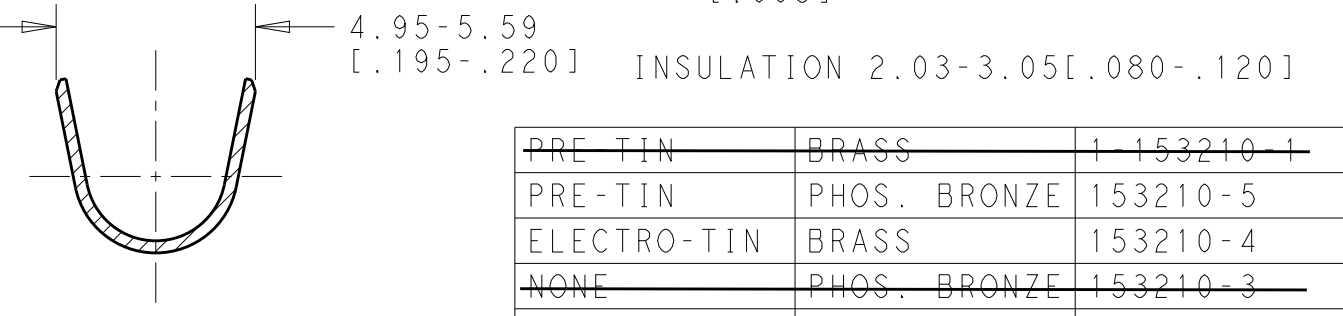
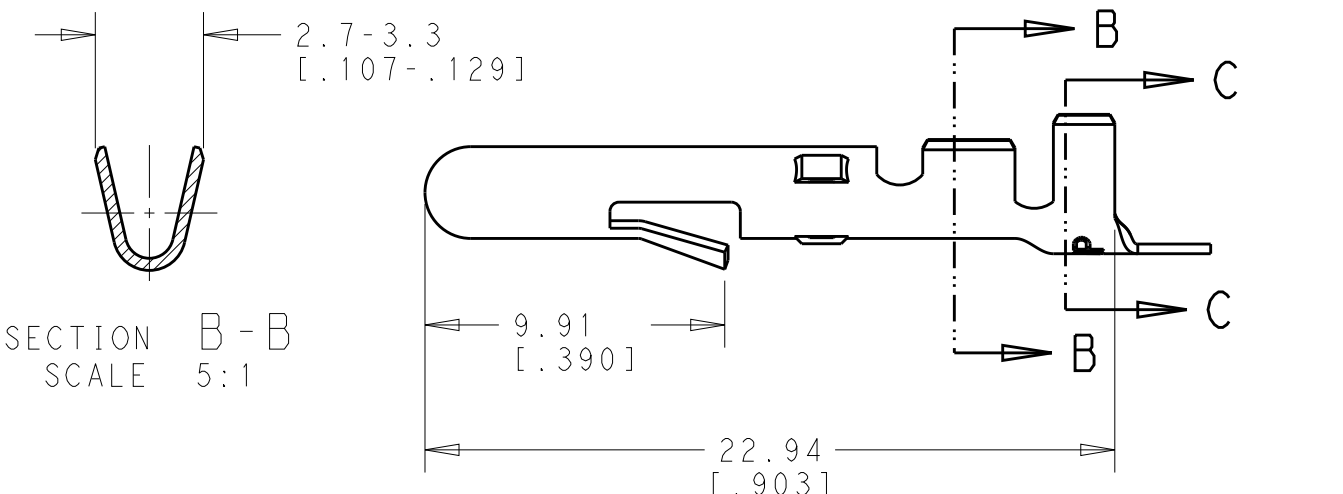
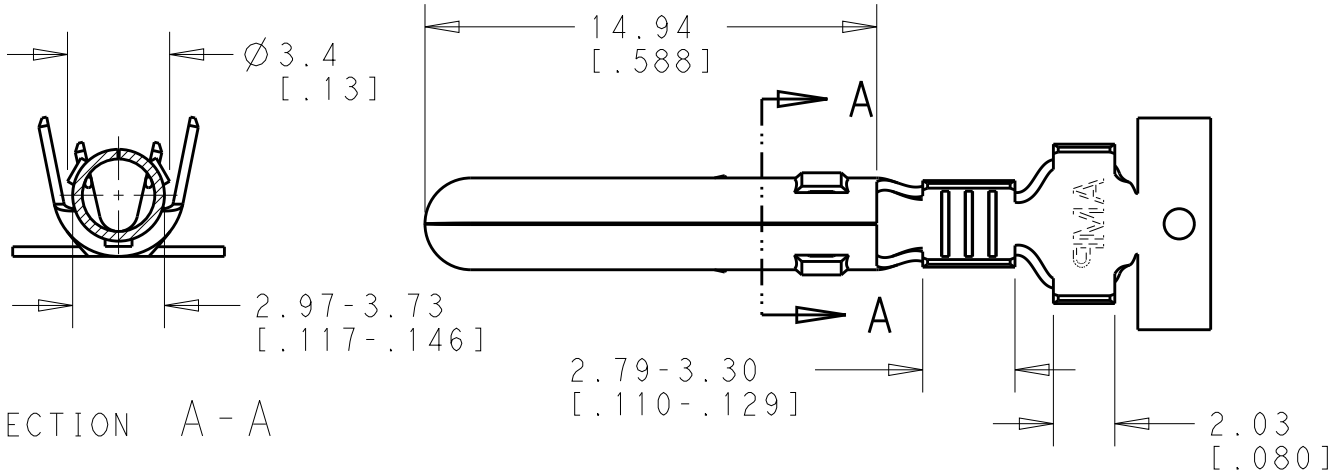


REVISIONS					
P	LTR	DESCRIPTION	DATE	DWN	APVD
	L1	REVISED PER ECR-18-015341	28SEP2018	BW	JB



PRE-TIN	BRASS	1-153210-1
PRE-TIN	PHOS. BRONZE	153210-5
ELECTRO-TIN	BRASS	153210-4
NONE	PHOS. BRONZE	153210-3
NONE	BRASS	153210-2
PRE-TIN	BRASS	153210-1
FINISH	MATERIAL	PART NUMBER

THIS DRAWING IS UNPUBLISHED. BY - TE CONNECTIVITY ALL RIGHTS RESERVED. COPYRIGHT 2018

DIMENSIONS:	
mm [INCHES]	
TOLERANCES UNLESS OTHERWISE SPECIFIED:	
0 PLC	±-
1 PLC	±-
2 PLC	±-
3 PLC	±-
4 PLC	±-
ANGLES	±-

DWN	28SEP2018
BASVESH WARAD	
CHK	28SEP2018
JYOTIRMAYA	
APVD	28SEP2018
DANIEL ZHANG	
PRODUCT SPEC	108-1000
APPLICATION SPEC	114-1012
WEIGHT	-
CUSTOMER DRAWING	

MATERIAL		FINISH	
-		-	
NAME .118 [3] DIA LANCED PIN			
SIZE	CAGE CODE	DRAWING NO	RESTRICTED TO
A4	00779	C-153210	-
SCALE 4:1		SHEET 1 OF 1	REV L1

单击下面可查看定价，库存，交付和生命周期等信息

[>>TE Connectivity\(泰科\)](#)