

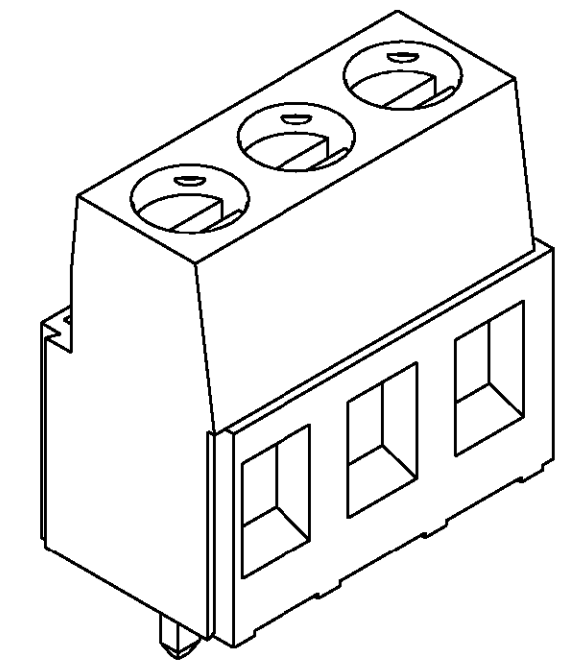
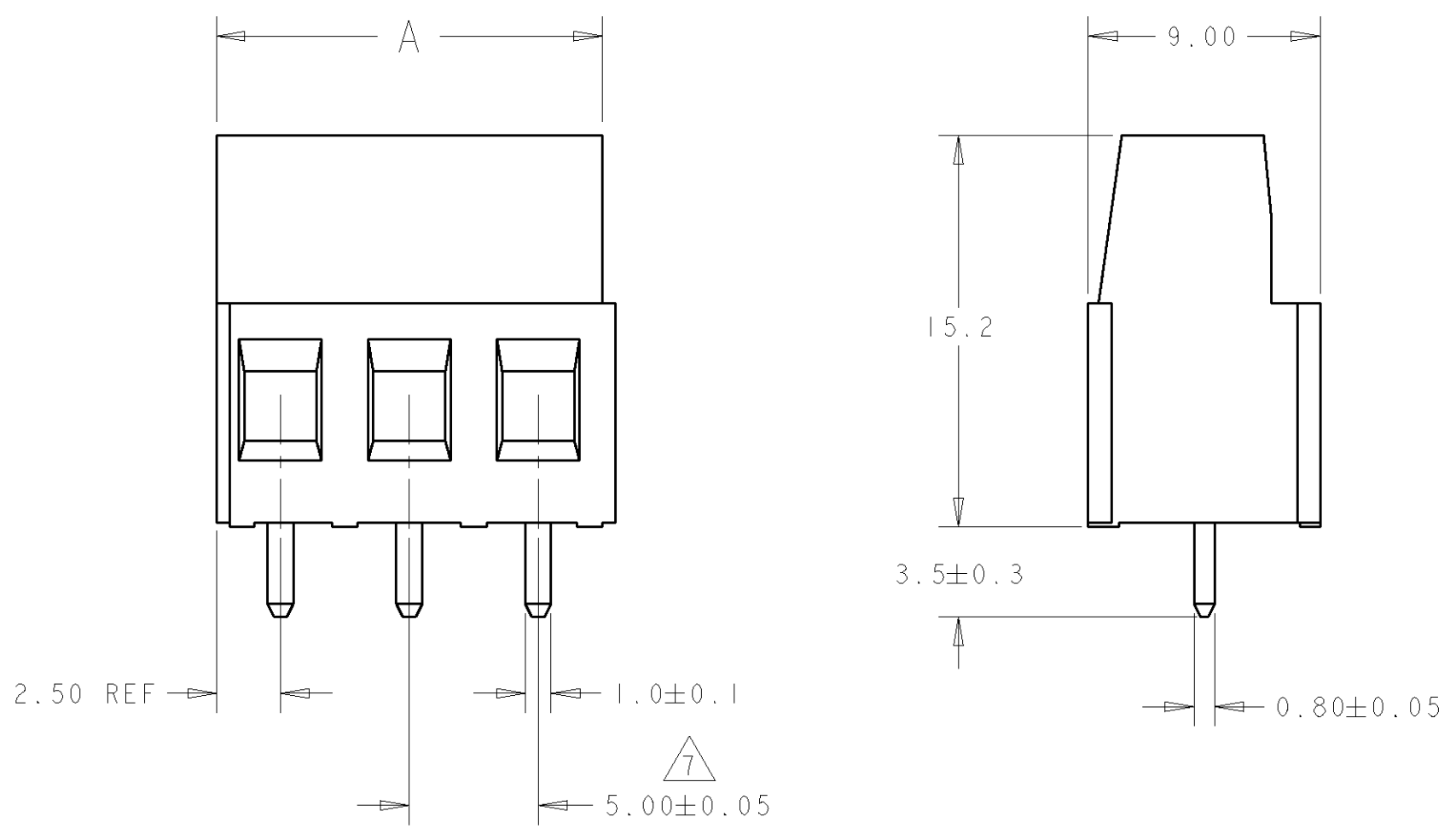
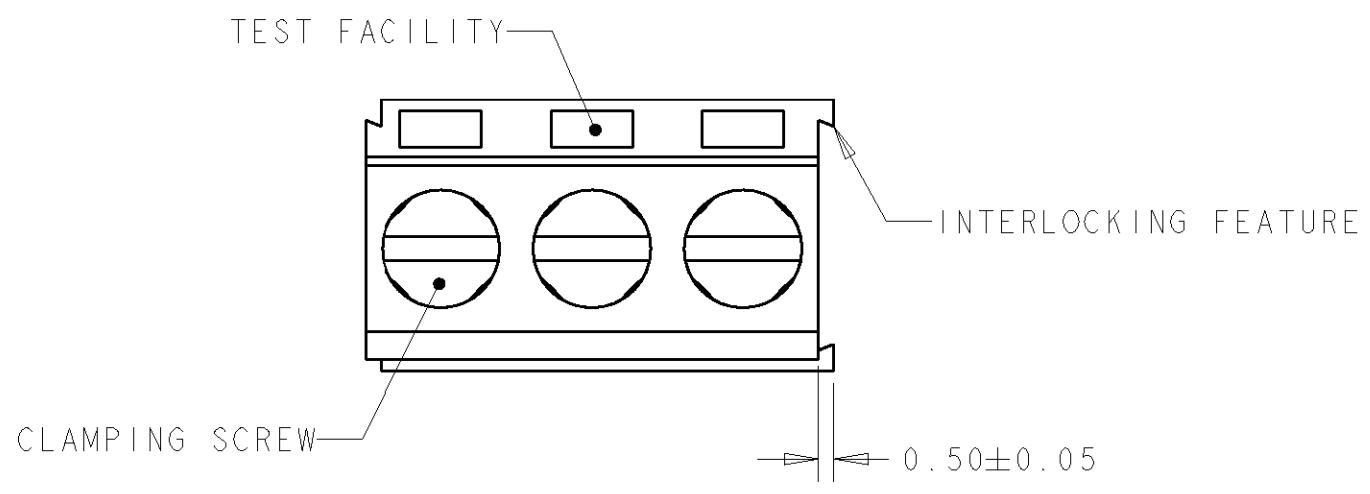
THIS DRAWING IS UNPUBLISHED. RELEASED FOR PUBLICATION  
 © COPYRIGHT ALL RIGHTS RESERVED.

LOC	DIST	REVISIONS			
P	LTR	DESCRIPTION	DATE	DWN	APVD
FT	0	C1 REVISED PER ECO-11-005294	20APR11	RK	HMR

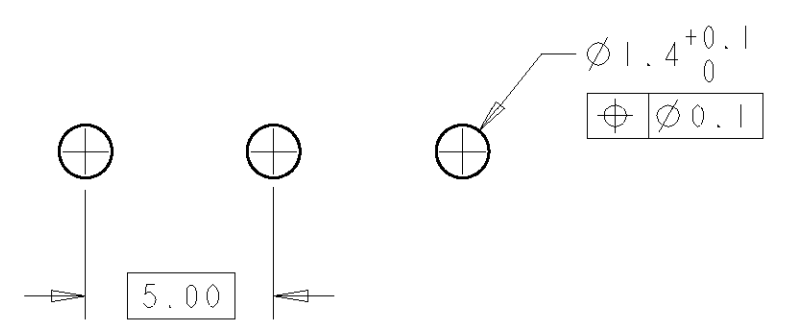
- ⚠ MATERIALS AND FINISH:  
 HOUSING: PA 6-6, UL 94-V0, COLOR:BLUE.  
 CLAMP: BRASS, NICKEL PLATED.  
 TERMINAL: BRASS, TIN PLATED.  
 CLAMPING SCREW: M3, BRASS, NICKEL PLATED.

- SUITABLE FOR 1,6-2,4mm. PCB THICKNESS.
- END-TO-END STACKABLE W/INTERLOCK WITHOUT LOSS OF CENTERLINE SPACING.
- WIRE SIZE RANGE: 12-30 AWG
- RECOGNIZED UNDER THE COMPONENT PROGRAM OF UNDERWRITERS LABORATORIES INC. FILE No E60677.
- IMQ CERTIFICATE WITH SURVEILLANCE IN CONFORMITY WITH IEC 998-1/998-2-1.

- ⚠ NOT CUMULATIVE TOLERANCE.
- BUCHANAN LOGO TO APPEAR ON HOUSING, LOCATION OPTIONAL, WHERE SPACE PERMITS.
  - PARTS INK MARKED OR HOT STAMPED WHITE.



796681-3 AS SHOWN



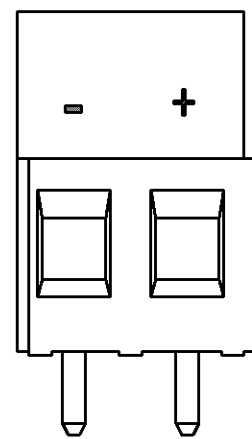
RECOMMENDED PC BOARD LAYOUT  
 SCALE 5:1

SEE SHEET 3	80.00	16	4-796681-3
SEE SHEET 3	80.00	16	4-796681-2
SEE SHEET 3	80.00	16	4-796681-1
SEE SHEET 3	80.00	16	4-796681-0
SEE SHEET 3	80.00	16	3-796681-9
SEE SHEET 3	80.00	16	3-796681-8
SEE SHEET 2	60.00	12	3-796681-7
SEE SHEET 2	60.00	12	3-796681-6
SEE SHEET 2	60.00	12	3-796681-5
SEE SHEET 2	60.00	12	3-796681-4
SEE SHEET 2	45.00	9	3-796681-3
SEE SHEET 2	45.00	9	3-796681-2
SEE SHEET 2	10.00	2	3-796681-1
SEE SHEET 2	10.00	2	3-796681-0
-	125.00	25	2-796681-5
-	120.00	24	2-796681-4
-	115.00	23	2-796681-3
-	110.00	22	2-796681-2
-	105.00	21	2-796681-1
-	100.00	20	2-796681-0
-	95.00	19	1-796681-9
-	90.00	18	1-796681-8
-	85.00	17	1-796681-7
-	80.00	16	1-796681-6
-	75.00	15	1-796681-5
-	70.00	14	1-796681-4
-	65.00	13	1-796681-3
-	60.00	12	1-796681-2
-	55.00	11	1-796681-1
-	50.00	10	1-796681-0
-	45.00	9	796681-9
-	40.00	8	796681-8
-	35.00	7	796681-7
-	30.00	6	796681-6
-	25.00	5	796681-5
-	20.00	4	796681-4
-	15.00	3	796681-3
-	10.00	2	796681-2
MARKING ⚠	A	POSN	PART NUMBER

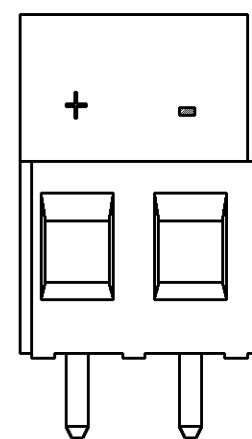
DIMENSIONS: mm 		TOLERANCES UNLESS OTHERWISE SPECIFIED: 0 PLC ±0 1 PLC ±.3 2 PLC ±.25 3 PLC ±0 4 PLC ±0 ANGLES ±2° FINISH ⚠		DWN S. WELDON 22AUG2001 CHK D. BIEVENOUR 22AUG2001 APVD D. BIEVENOUR 22AUG2001 PRODUCT SPEC - APPLICATION SPEC - WEIGHT -	<b>TE</b> TE Connectivity NAME TERMINAL BLOCK PCB MOUNT W/INTERLOCK, 5.0mm PITCH SIZE A2 CAGE CODE 00779 DRAWING NO. 796681 RESTRICTED TO -	
MATERIAL			CUSTOMER DRAWING			
SCALE 4:1			SHEET 1 OF 3 REV C1			

THIS DRAWING IS UNPUBLISHED. RELEASED FOR PUBLICATION  
 © COPYRIGHT ALL RIGHTS RESERVED.

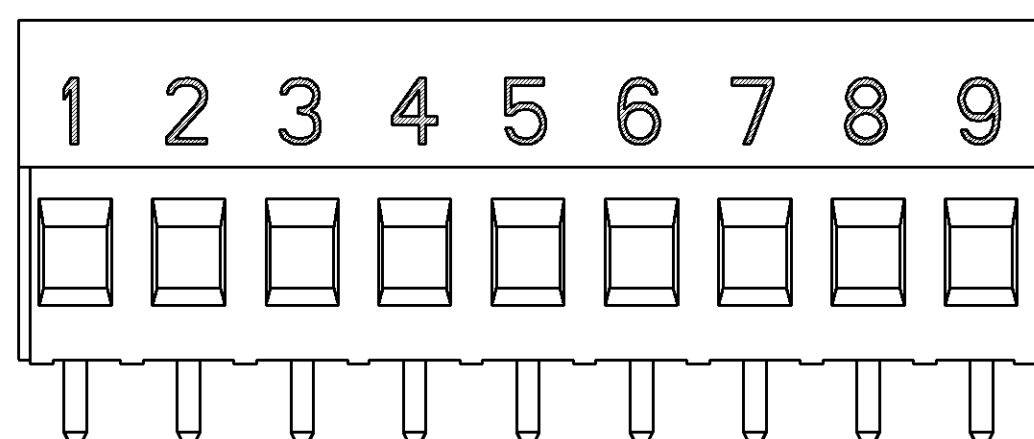
LOC	DIST	REVISIONS			
P	LTR	DESCRIPTION	DATE	DWN	APVD
FT	0	-	SEE SHEET 1	-	-



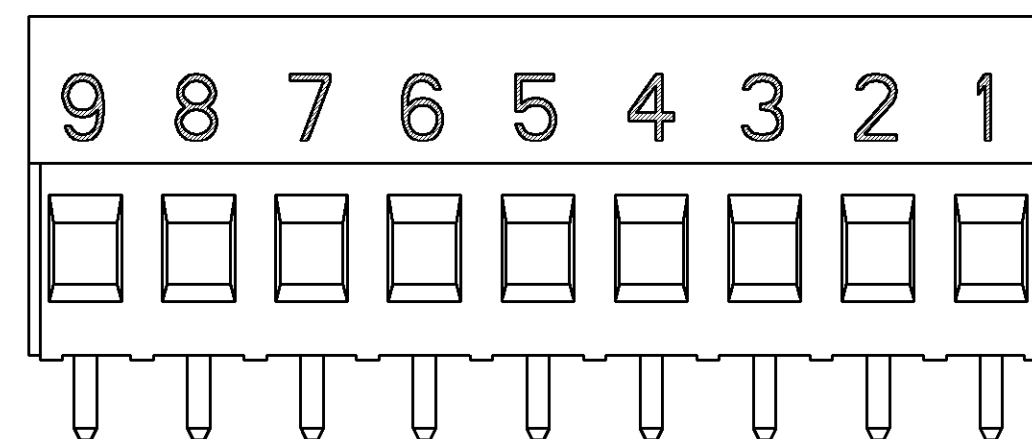
3-796681-0 AS SHOWN  
SCALE 3:1



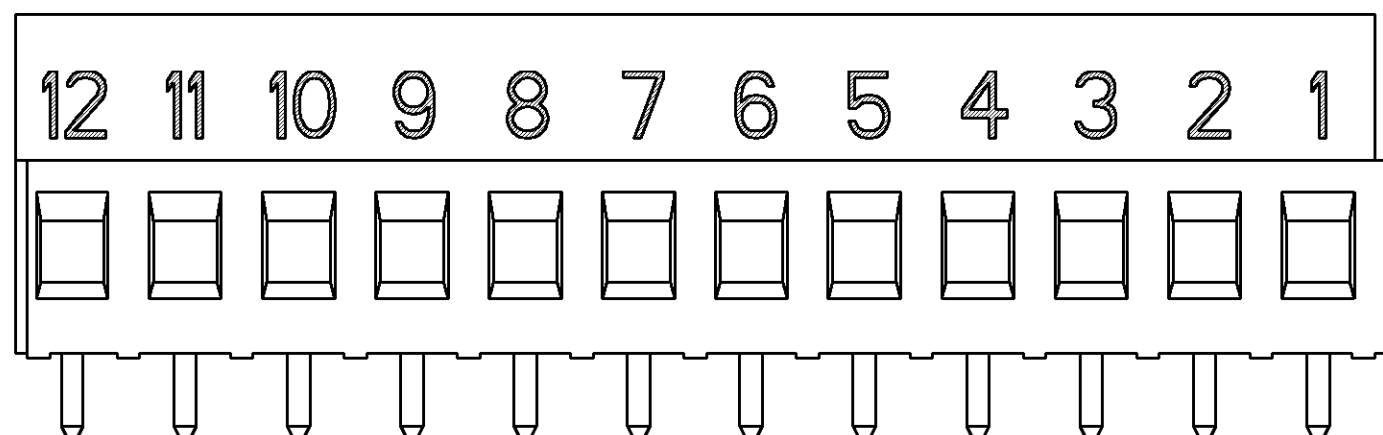
3-796681-1 AS SHOWN  
SCALE 3:1



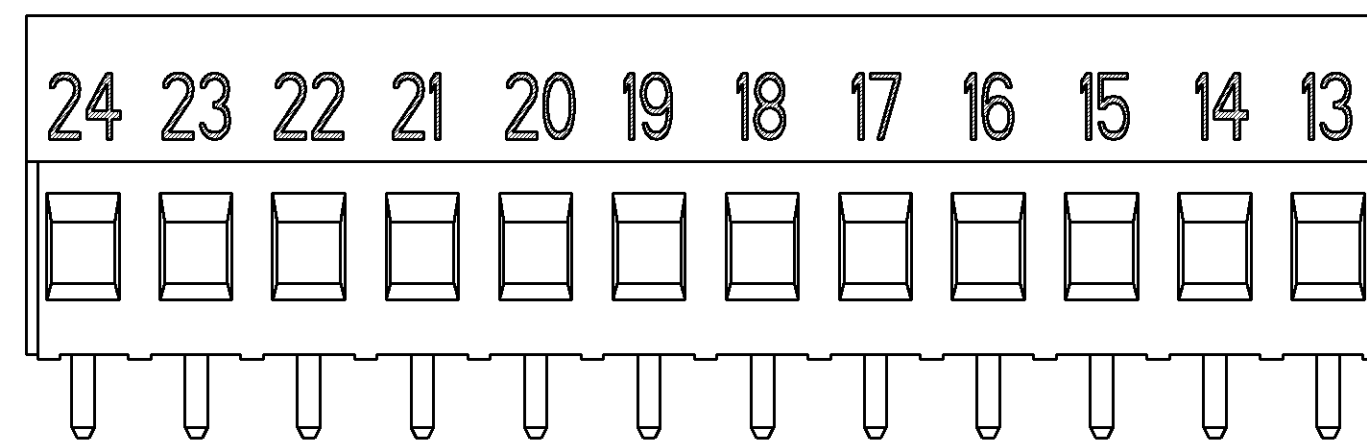
3-796681-2 AS SHOWN  
SCALE 3:1



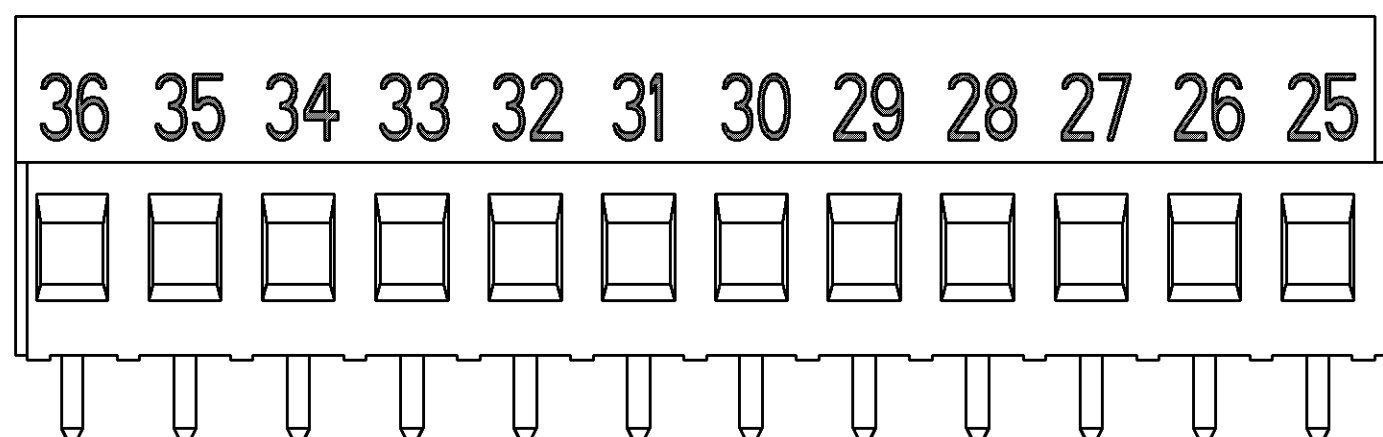
3-796681-3 AS SHOWN  
SCALE 3:1



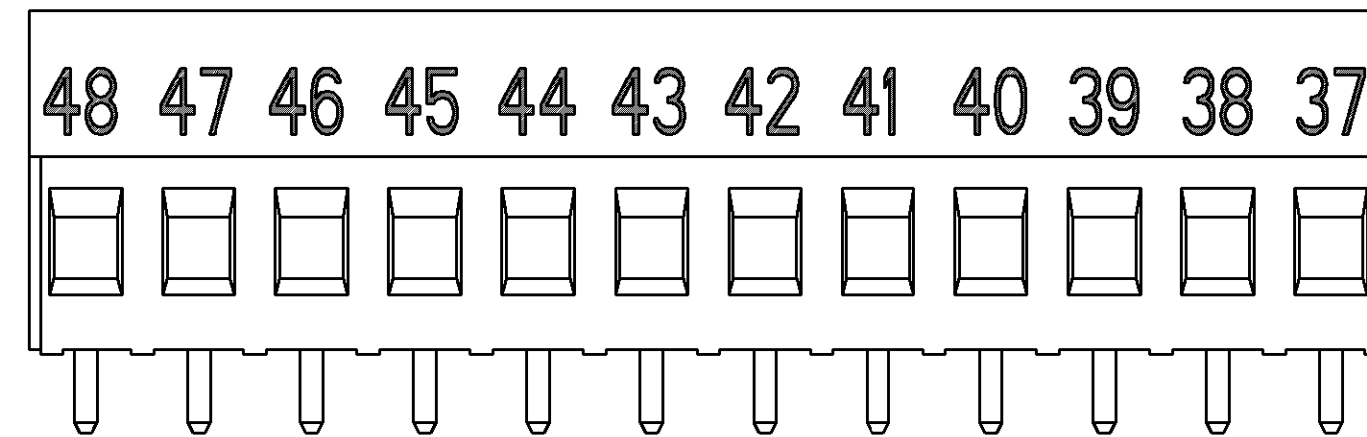
3-796681-4 AS SHOWN  
SCALE 3:1



3-796681-5 AS SHOWN  
SCALE 3:1



3-796681-6 AS SHOWN  
SCALE 3:1

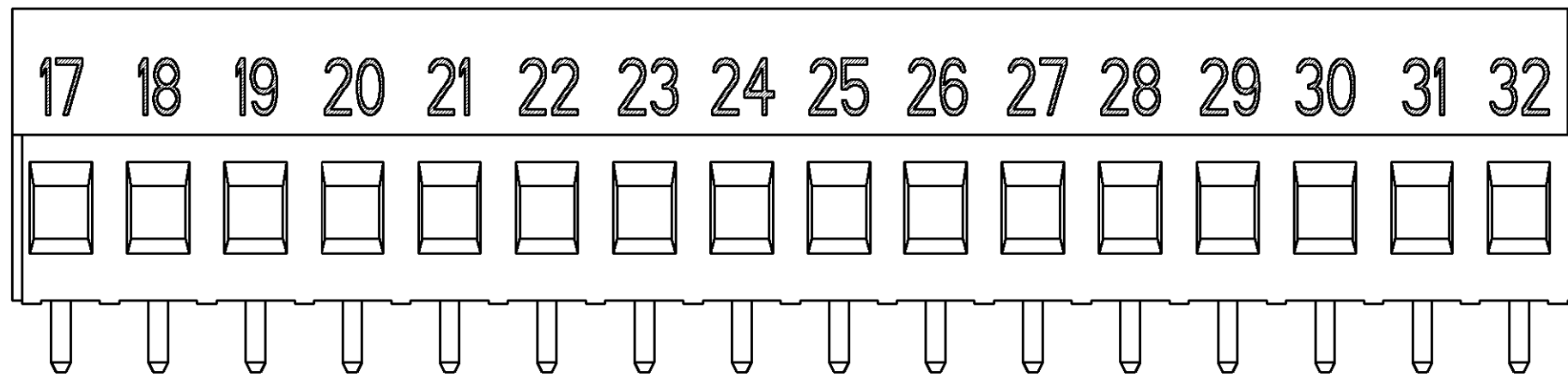


3-796681-7 AS SHOWN  
SCALE 3:1

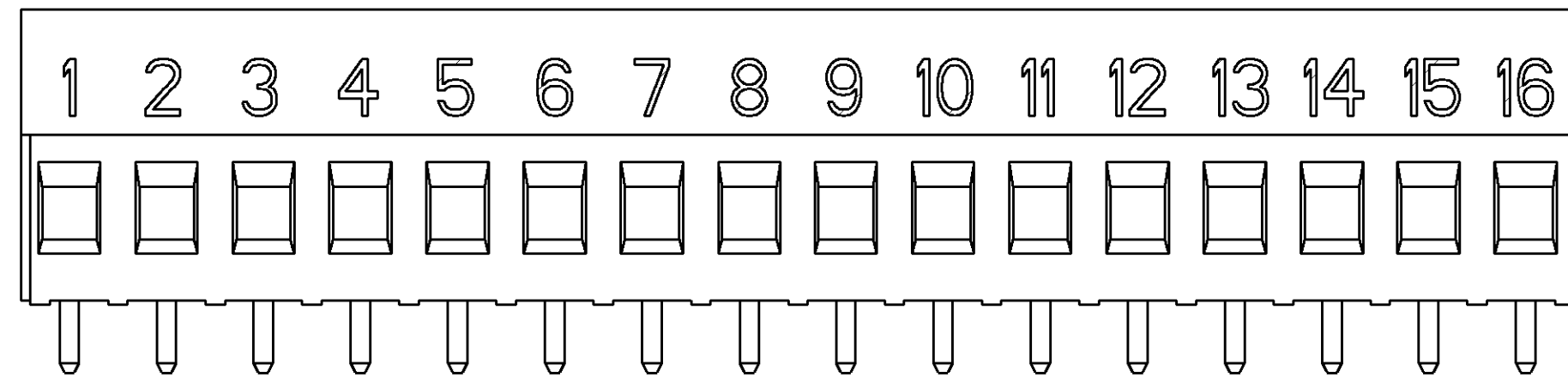
DIMENSIONS: mm 		TOLERANCES UNLESS OTHERWISE SPECIFIED: 0 PLC ±0 1 PLC ±.3 2 PLC ±.25 3 PLC ±0 4 PLC ±0 ANGLES ±2° FINISH -		DWN S. WELDON 22AUG2001 CHK D. BIEVENOUR 22AUG2001 APVD D. BIEVENOUR 22AUG2001 PRODUCT SPEC - APPLICATION SPEC - WEIGHT -			
MATERIAL -				NAME TERMINAL BLOCK PCB MOUNT W/INTERLOCK, 5.0mm PITCH		SIZE A2 CAGE CODE 00779 DRAWING NO. 796681	
CUSTOMER DRAWING				SCALE 4:1		SHEET 2 OF 3 REV C1	

THIS DRAWING IS UNPUBLISHED.      RELEASED FOR PUBLICATION  
 © COPYRIGHT      ALL RIGHTS RESERVED.

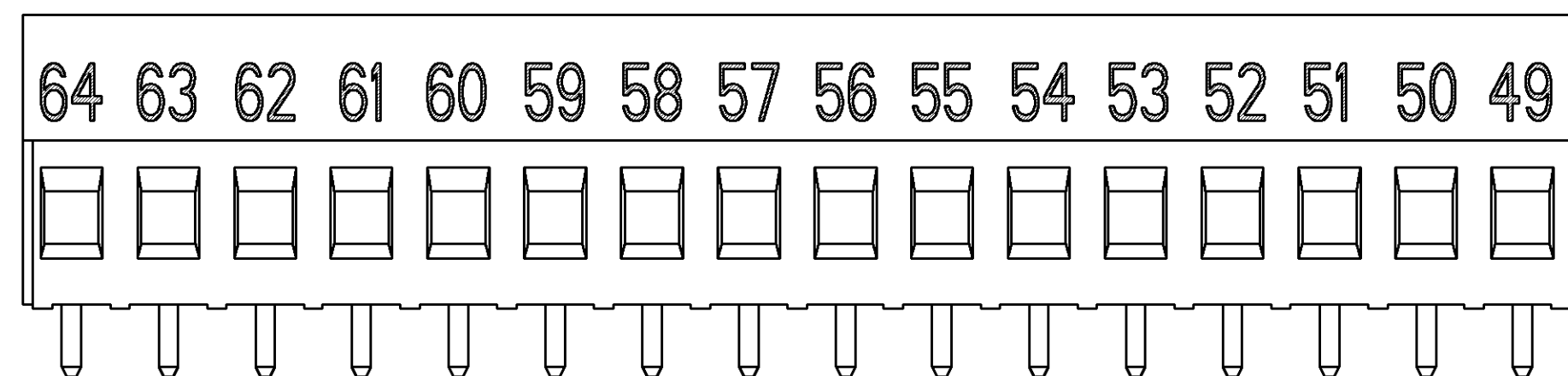
LOC	DIST	REVISIONS			
P	LTR	DESCRIPTION	DATE	DWN	APVD
FT	0	-	SEE SHEET 1	-	-



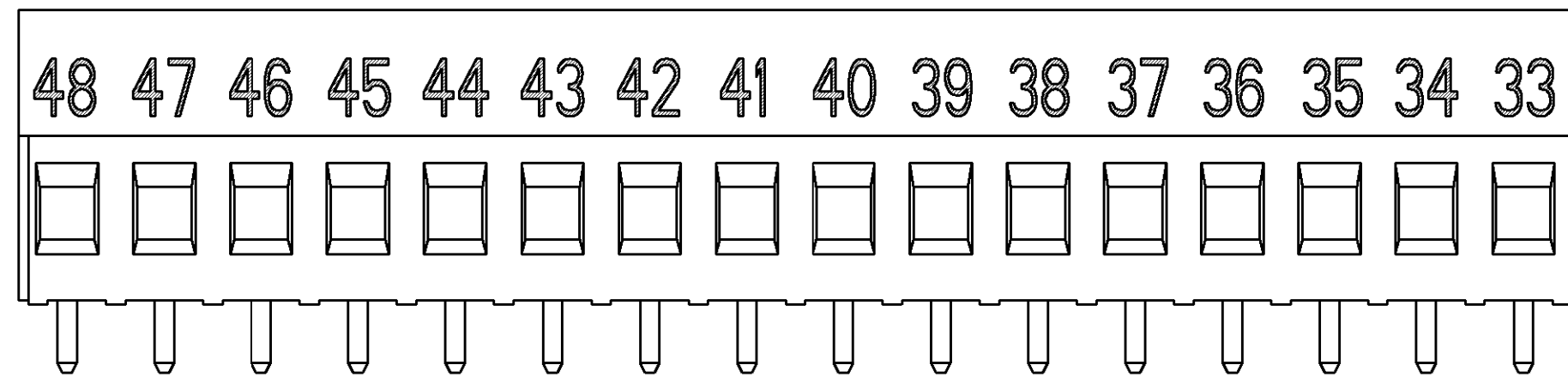
3-796681-8 AS SHOWN  
SCALE 3:1



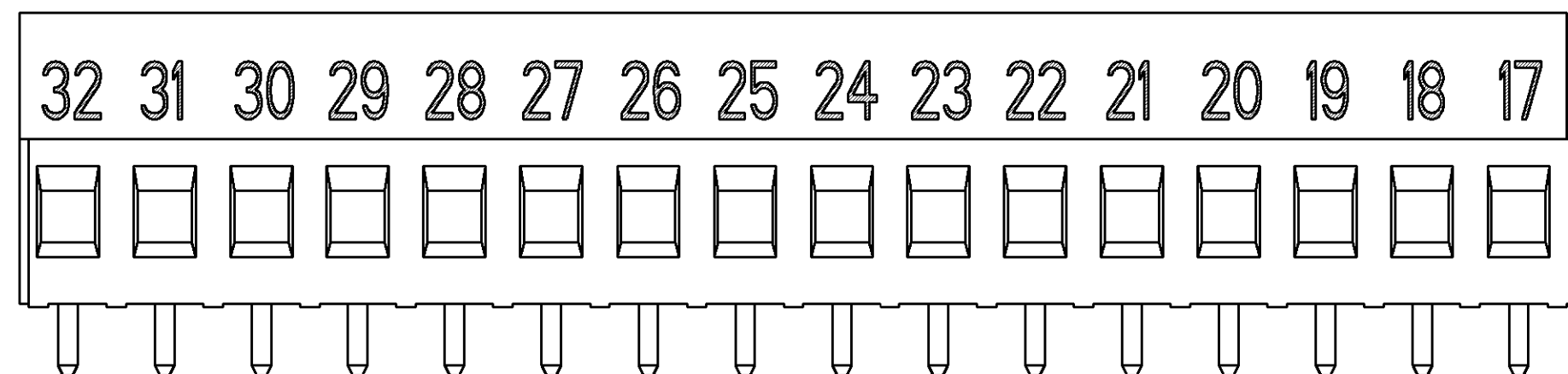
3-796681-9 AS SHOWN  
SCALE 3:1



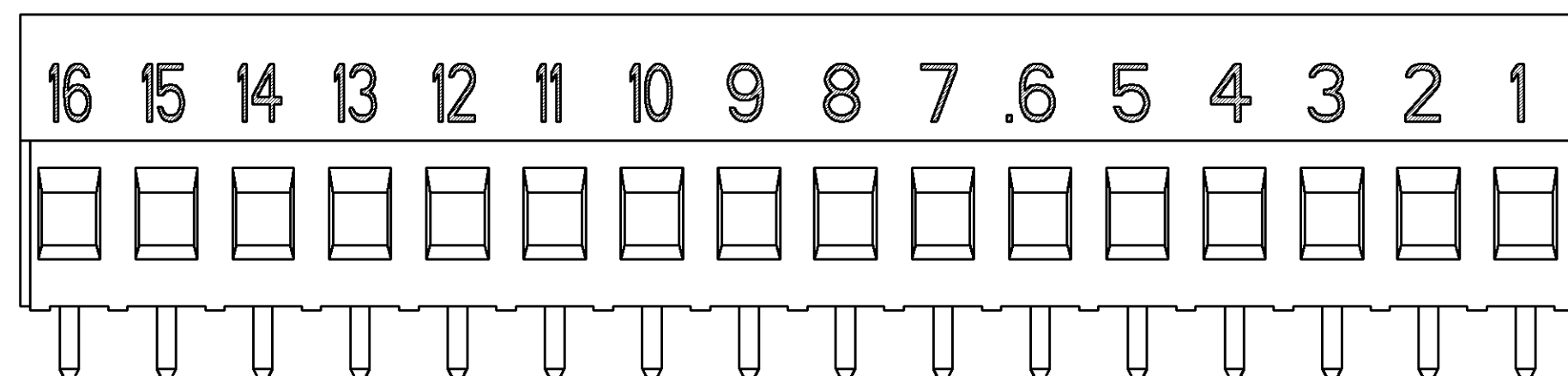
4-796681-0 AS SHOWN  
SCALE 3:1



4-796681-1 AS SHOWN  
SCALE 3:1



4-796681-2 AS SHOWN  
SCALE 3:1



4-796681-3 AS SHOWN  
SCALE 3:1

DIMENSIONS: mm 	TOLERANCES UNLESS OTHERWISE SPECIFIED: 0 PLC ±0 1 PLC ±.3 2 PLC ±.25 3 PLC ±0 4 PLC ±0 ANGLES ±2° FINISH -	DWN S. WELDON 22AUG2001	TE Connectivity
		CHK D. BIEVENOUR 22AUG2001	
MATERIAL -		APVD D. BIEVENOUR 22AUG2001	TERMINAL BLOCK PCB MOUNT W/INTERLOCK, 5.0mm PITCH
		PRODUCT SPEC -	SIZE A2
		APPLICATION SPEC -	CAGE CODE 00779
		WEIGHT -	DRAWING NO. 796681
		CUSTOMER DRAWING	RESTRICTED TO -
			SCALE 4:1 SHEET 3 OF 3 REV C1

单击下面可查看定价，库存，交付和生命周期等信息

[>>TE Connectivity\(泰科\)](#)