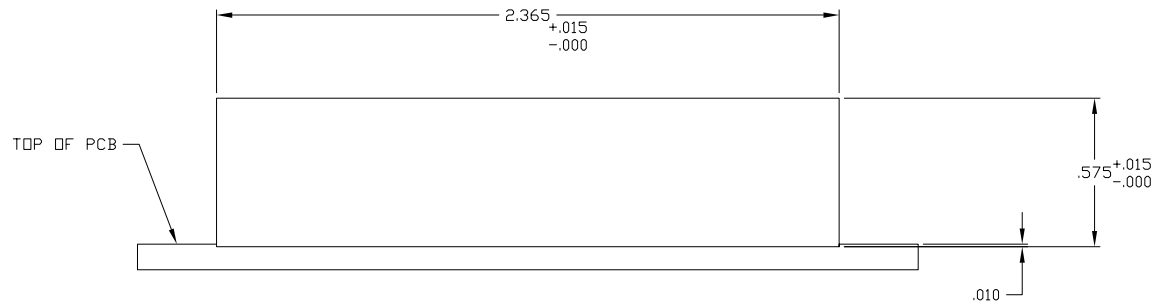
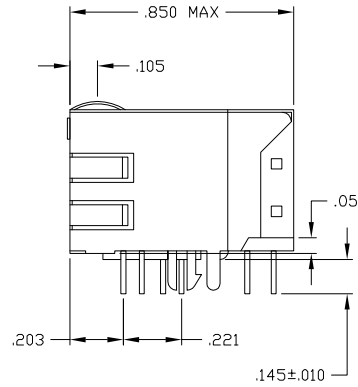
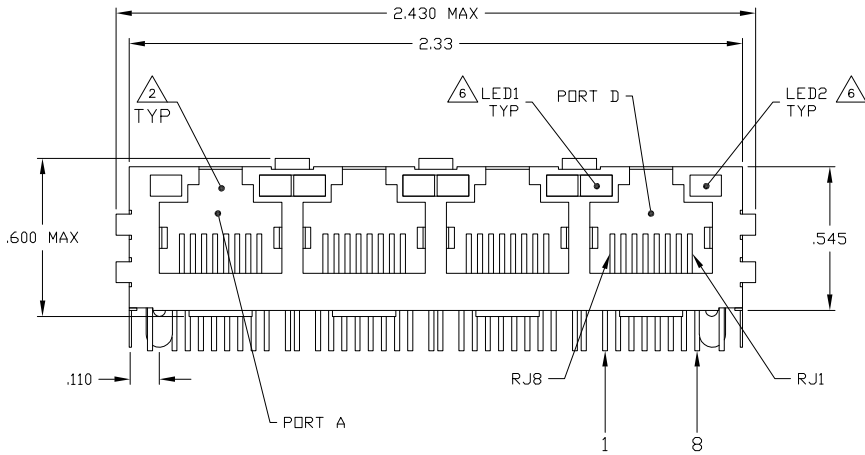
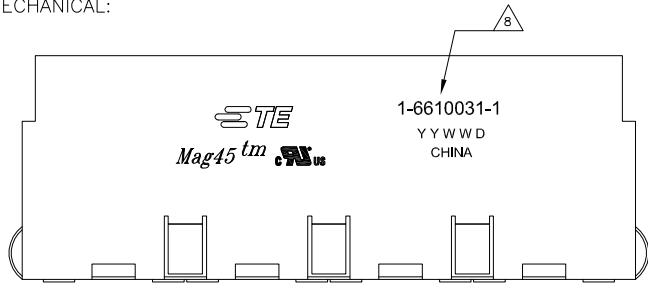


MECHANICAL:



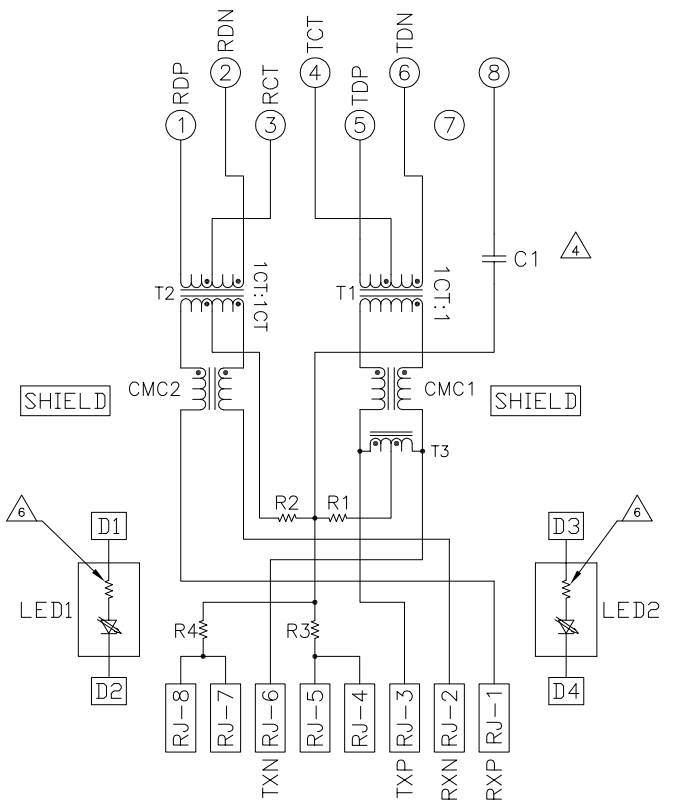
1X4 SUGGESTED PANEL CUTOUT

1. MATERIALS:
  - HOUSING - THERMOPLASTIC PET POLYESTER FLAMMABILITY RATING UL 94V-0.
  - SHIELD - .010" THICK, C26800 BRASS PREPLATED WITH 30μINCH MIN SEMI-BRIGHT NICKEL.
  - SOLDER TABS POST DIPPED WITH 100μINCH MIN SAC SOLDER.
  - MOD JACK CONTACTS - 0.0157 X 0.018" PHOSPHOR BRONZE, 50μINCH MIN OVERALL NICKEL UNDERPLATE WITH SELECT 50μINCH MIN HARD GOLD FINISH PLATE. SOLDERTAILS WITH 100μINCH MIN MATTE TIN AND/OR SAC SOLDER DIP.
  - LIGHT EMITTING DIODE(LED) - DIFFUSED EPOXY LENS, .020" X .020" CARBON STEEL WIREFRAME LEADS PRE-PLATED WITH 90μINCH SILVER OVER 40μINCH NICKEL UNDERPLATE OVER 40μINCH COPPER UNDERPLATE. POST-PLATED WITH 100μINCH MATTE TIN AND/OR SAC SOLDER DIP OR PURE TIN SOLDER DIP.
2. RJ45 JACK CAVITY CONFORMS TO FCC RULES AND REGULATIONS PART 68, SUB PART F.
3. MAGNETICS
  - IMPEDANCE: 100 OHMS
  - TURNS RATIO (CHIP CABLE): TX = 11, RX = 11
  - OPEN CIRCUIT INDUCTANCE (OCL): 350μH MIN @100kHz, 0.1VRMS, 8mADC BIAS FROM 0iΩ TO 70iΩ, TX AND RX
  - PERFORMANCE @ 25iΩ:
    - INSERTION LOSS (IL): 1.1dB MAX FROM 0.5MHz TO 100MHz
    - RETURN LOSS (RL): 18dB MIN FROM 0.5MHz TO 30MHz
    - 18-20LOG(f/30dB) MIN FROM 30.1MHz TO 60MHz
    - 12dB MIN FROM 60.1MHz TO 80MHz
    - CROSSTALK ATTENUATION: 35dB MIN FROM 0.5MHz TO 40MHz
    - 33-20\*LOG(f/50dB) MIN FROM 40.1MHz TO 100MHz
    - COMMON MODE REJECTION RATIO (CMRR): 30dB MIN FROM 0.5MHz TO 100MHz
    - ISOLATION VOLTAGE: 2250VDC (MAX) FOR 60 SECONDS WITH A RISE TIME OF 500V/SEC AND WITH ALL PORTS CONNECTED.
4. C1 IS AN OPTIONAL CAPACITOR. IF NO CAPACITOR, TRACE IS CONTINUOUS. SEE TABLE FOR PRESENCE OF CAPACITOR IN DIFFERENT CONFIGURATIONS.
5. OPERATING TEMPERATURE: FROM 0iΩ TO +70iΩC
6. THE 250 OHM LED RESISTORS ARE OPTIONAL. PLEASE SEE CHART FOR PRESENCE OR ABSENCE OF LED RESISTORS. IF THE LED WITHOUT 250 OHM RESISTORS, LED IS DRIVEN WITH CONSTANT CURRENT AT APPROX 20mA.
  - LED COLOR : DOMINANT WAVELENGTH (iAD): GREEN 568 nm TYP. @ IF=20mA
  - FORWARD VOLTAGE (VF): GREEN 2.2V TYP. @ IF=20mA
  - DOMINANT WAVELENGTH (iAD): YELLOW 588 nm TYP. @ IF=20mA
  - FORWARD VOLTAGE (VF): YELLOW 2.1V TYP. @ IF=20mA
  - DOMINANT WAVELENGTH (iAD): ORANGE 605 nm TYP. @ IF=20mA
  - FORWARD VOLTAGE (VF): ORANGE 2.05V TYP. @ IF=20mA
  - IF THE LED WITH 250 OHM RESISTORS, LED IS DRIVEN WITH 5V VOLTAGE AND THE MAX OPERATING CURRENT IS 20mA.
  - LED COLOR : DOMINANT WAVELENGTH (iAD): GREEN 568 nm TYP. @ VF=5V
  - FORWARD CURRENT (IF): GREEN 12 mA TYP. @ VF=5V
  - DOMINANT WAVELENGTH (iAD): YELLOW 588 nm TYP. @ VF=5V
  - FORWARD CURRENT (IF): YELLOW 13 mA TYP. @ VF=5V
7. INDICATED CONNECTIONS ARE FOR HUB CONFIGURATION. THE MAGNETICS ARE ASYMMETRICAL AND DO NOT SUPPORT AUTO-MDI/MDIX.
8. TE CONNECTIVITY LOGO, PART NUMBER, DATE CODE, COUNTRY OF ORIGIN AND AGENCY APPROVAL MARKING IN APPROXIMATE LOCATION SHOWN.
9. THESE PARTS ARE RECOMMENDED FOR WAVE SOLDERING PROCESS, PEAK WAVE SOLDERING TEMPERATURE IS 265iΩC, 10SECONDS MAX.
10. OBSOLETE PARTS: OBSOLETE CIS STREAMLINING PER D.RENAUD/D.SINISI

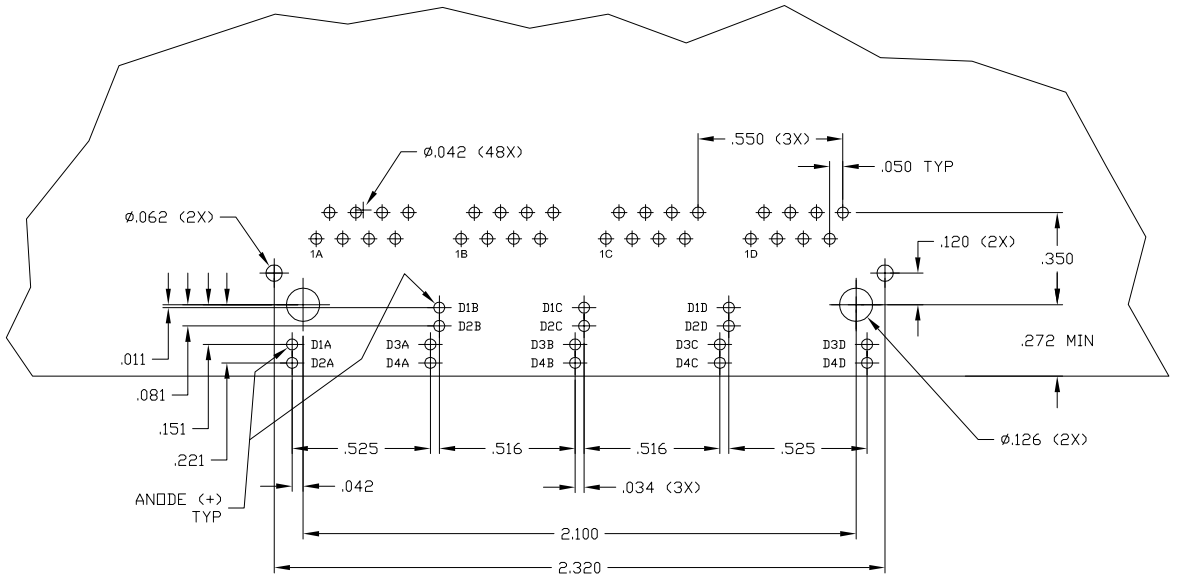
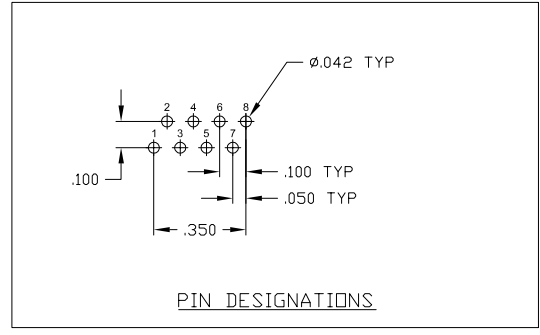
OBSOLETE	YES	YES	GREEN	GREEN	6-6610031-1
	NO	YES	GREEN	GREEN	5-6610031-7
OBSOLETE	YES	YES	YELLOW	GREEN	5-6610031-2
	YES	YES	GREEN	YELLOW	5-6610031-1
OBSOLETE	YES	NO	GREEN	GREEN	4-6610031-1

THIS DRAWING IS A CONTROLLED DOCUMENT.		DWG. NO. VARELA - 00000000		REV. NO. 00000000	
DIMENSIONS:		D. FAROLE		D. FAROLE	
INCHES:		D. FAROLE		D. FAROLE	
MATERIAL:		D. FAROLE		D. FAROLE	
FINISH:		D. FAROLE		D. FAROLE	
SCALE:		D. FAROLE		D. FAROLE	
DATE:		D. FAROLE		D. FAROLE	
DRAWING NO:		D. FAROLE		D. FAROLE	
CUSTOMER DRAWING:		D. FAROLE		D. FAROLE	

754 SERIES MAGNETIC CIRCUIT  $\Delta 3 \nabla 7$



C1 = 1000pF. 2kV DECOUPLING CAPACITOR  
 R1-R4 = 75 OHMS, 1/16W, 5% RESISTORS



SUGGESTED PCB LAYOUT  
 (Component Side)

THIS DRAWING IS A CONTROLLED DOCUMENT.		REV	1	VARELA	10MAR2005	CHK	1	FAROLE	10MAR2005	TE Connectivity	
DIMENSIONS:		UNLESS OTHERWISE SPECIFIED:		NAME		DRAWING NO		SCALE		SHEET	
INCHES		FRACTIONS		1'X4 MAG45(TW) MODULAR JACK, 7HS SCHEMATIC,		108-2100		4:1		2 OF 2	
0 P.C. ± - 1 P.C. ± .010 2 P.C. ± .008 3 P.C. ± .005 4 P.C. ± .003 ANGLES ± .5°		1/16 FRACTIONS 1/32 FRACTIONS 1/64 FRACTIONS 1/128 FRACTIONS 1/256 FRACTIONS		1'X4 MAG45(TW) MODULAR JACK, 7HS SCHEMATIC, 54 SERIES CIRCUIT, OPTIONAL DECOUPLING CAPACITOR, SHIELDED, WITH LEADS		SIZE A1		DRAWING NO C-6610031		RESTRICTED TO REV C	
MATERIAL		FINISH		WEIGHT		CUSTOMER DRAWING		SCALE		SHEET	
								4:1		2 OF 2	

单击下面可查看定价，库存，交付和生命周期等信息

[>>TE Connectivity\(泰科\)](#)