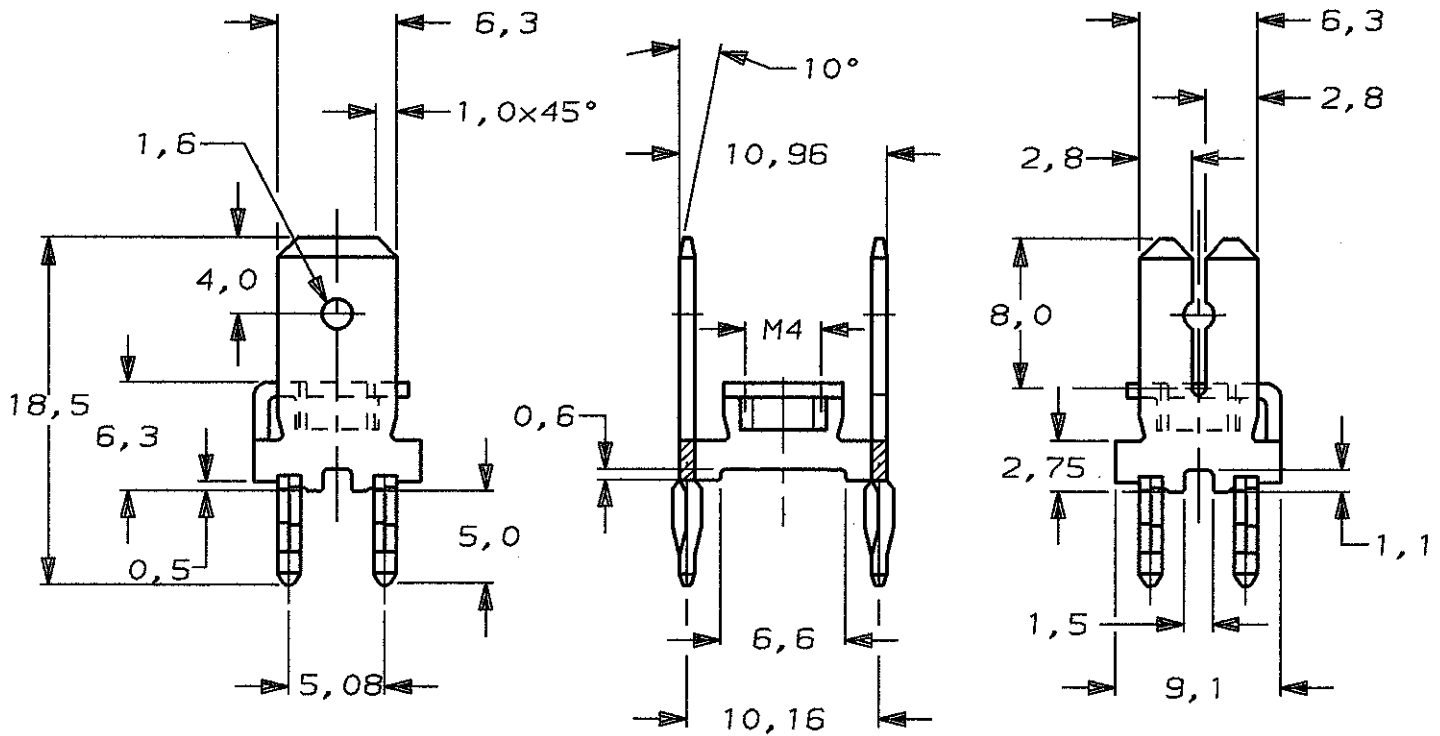


DO NOT SCALE

DIMENSIONS IN mm

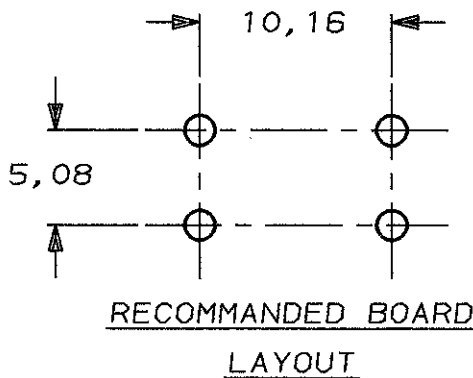
METRIC

THIRD ANGLE  
PROJECTION



NOTES :

- 1 PLATING : 2,54  $\mu$ m SnPb (93/7) MIN. ALL OVER  
UNDERLAYER 1,25  $\mu$ m Ni ALL OVER.
- 2 MATERIAL THICKNESS 0,8 mm .



PLATED THROUGH HOLE SPECIFICATION	
DRILLED HOLE	1,6 $\pm$ 0,025
Cu- THICKNESS	25-75 $\mu$ m
SnPb-THICKNESS	4-10 $\mu$ m
FINISHED HOLE	1,39 $^{+0,15}$ <sub>-0</sub>
FINISHED HOLE (AFTER REFLOW)	1,36 $^{+0,18}$ <sub>-0</sub>

	PHOSPHORBRONZE	216905-1
FINISH	MATERIAL	PARTNUMBER

**CUSTOMER DRAWING**

FOR REFERENCE ONLY  
WILL NOT BE UPDATED

**AMP** AMP-HOLLAND B.V.  
's-Hertogenbosch, The Netherlands.

THIS DRAWING IS UNPUBLISHED RELEASED FOR PUBLICATION - , 19

© COPYRIGHT 19- BY AMP-HOLLAND B.V.  
ALL INTERNATIONAL RIGHTS RESERVED.  
AMP PRODUCTS MAY BE COVERED BY U.S. AND FOREIGN PATENTS AND/OR PATENTS PENDING.

DR. S.MEEUWSEN	DATE 15-02-90	WIRE RANGE -	NAME POWER TERMINAL FOR POSITIVE LOCK RECEPTACLE (1,6 P.C.BOARD THICKNESS)	REV. DATE D M Y
CHK. R.V.LOKVEN	DATE 03-04-90	INSUL. RANGE -		19 02 91
APP. L.V.SOEST	DATE 03-04-90	SIZE A4	SHEET DWG. No. C-216905	REV. LTR. B

单击下面可查看定价，库存，交付和生命周期等信息

[>>TE Connectivity\(泰科\)](#)