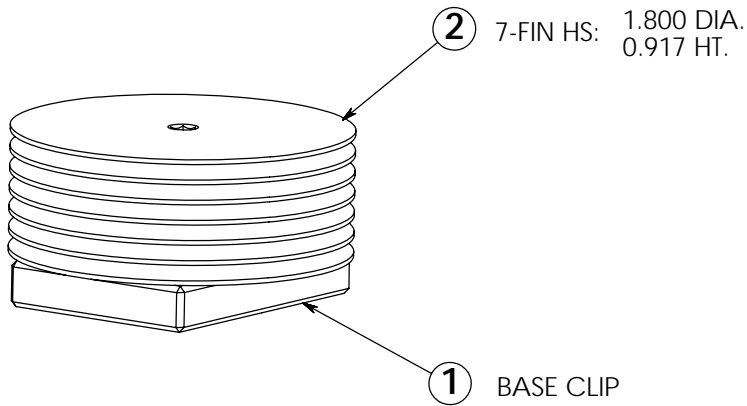


REVISION(S)			
LTR	DESCRIPTION	INIT	APP'D
O	ECN: OS60-0086-05	E.T 4/22/05	B.P 5/26/05
A	ECR-06-013921	E.T 6/20/06	V.K 6/20/06

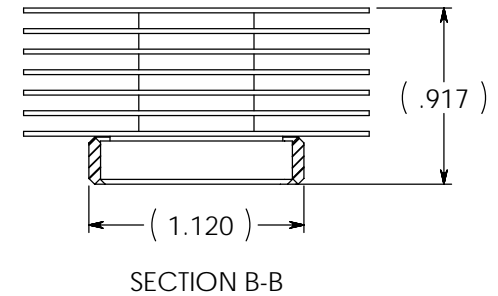
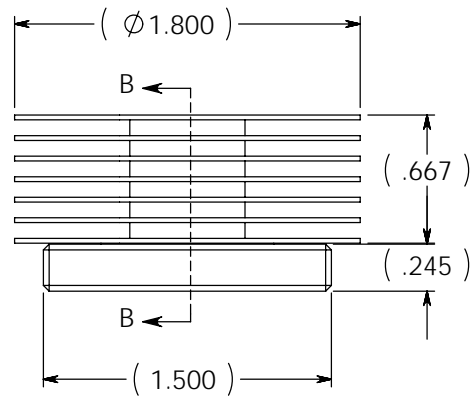


NOTE:

1. MATERIAL:

HEAT SINK: ALUM. (CLEAR IRIDITE)
CLIP: ALUM. (CLEAR IRIDITE)

2. RoHS COMPLIANT AND CERTIFIED.



CUSTOMER DRAWING
SPECIFICATIONS ARE SUBJECT TO CHANGE WITHOUT NOTICE

ITEM	DESCRIPTION	QTY	DO NOT SCALE	tyco / <i>Electronics</i> Attleboro Falls Massachusetts 02763			CONFIDENTIAL PROPERTY OF TYCO ELECTRONICS. NOT TO BE DISCLOSED TO OTHERS. REPRODUCED OR USED FOR ANY PURPOSES EXCEPT AS AUTHORIZED IN WRITING BY AN AUTHORIZED OFFICIAL OF TYCO. MUST BE RETURNED TO TYCO ON DEMAND, ON COMPLETION OF ORDERS OR OTHER PURPOSES FOR WHICH LENT.		TITLE: 42X32mm HEATSINK ASSEMBLY (HTS698-A)		
1	BASE CLIP	1		UNLESS OTHERWISE SPECIFIED TOLERANCES ARE: .XX ± .XXX ± .XXXX ± ANGLES ± °	DRAWN BY: E.TAO	DATE 4/22/05			MATERIAL: SEE NOTE	DIMENSIONS ARE IN: INCHES	SCALE: 1:1
2	HEAT SINK	1			ENGINEER: B.PETROCELLI	DATE 5/26/05	FINISH: SEE NOTE	SIZE: A	DWG. NO. 9-1542003-7	REV: A	
--	-----	--			FILENAME	PROJECT	SYSTEM	TNRD ANGLE PROJECTION			

单击下面可查看定价，库存，交付和生命周期等信息

[>>TE Connectivity\(泰科\)](#)