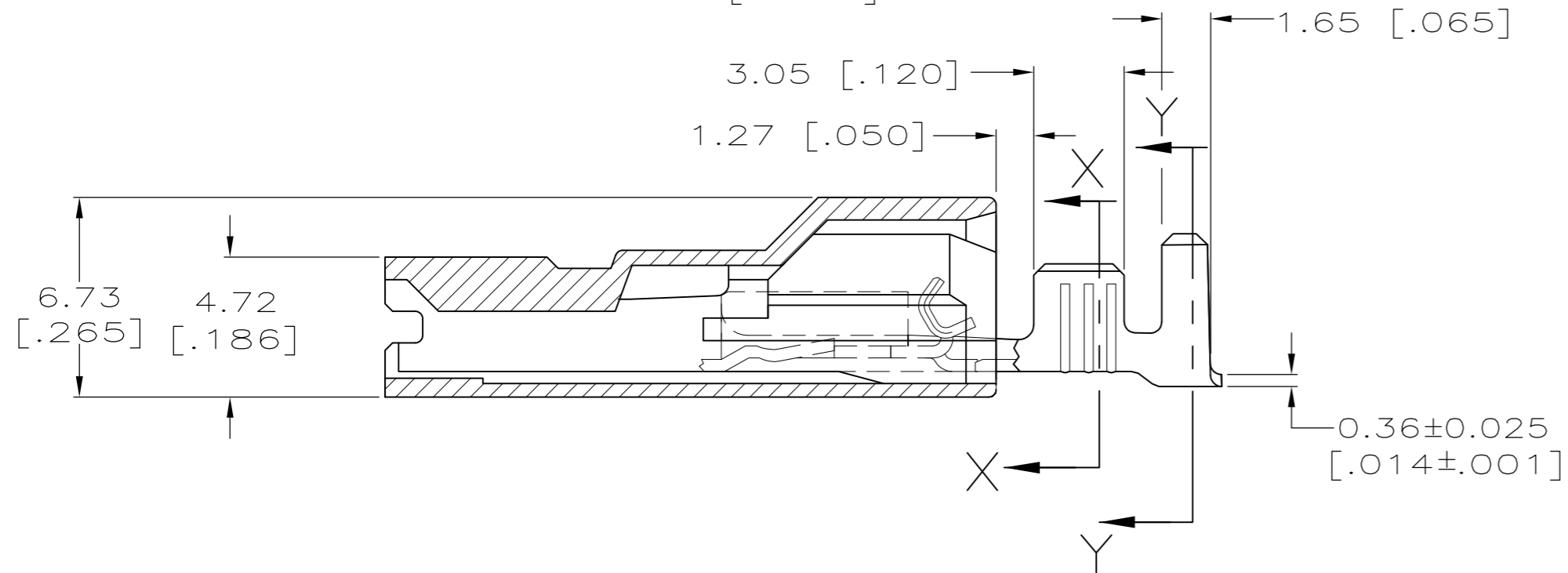
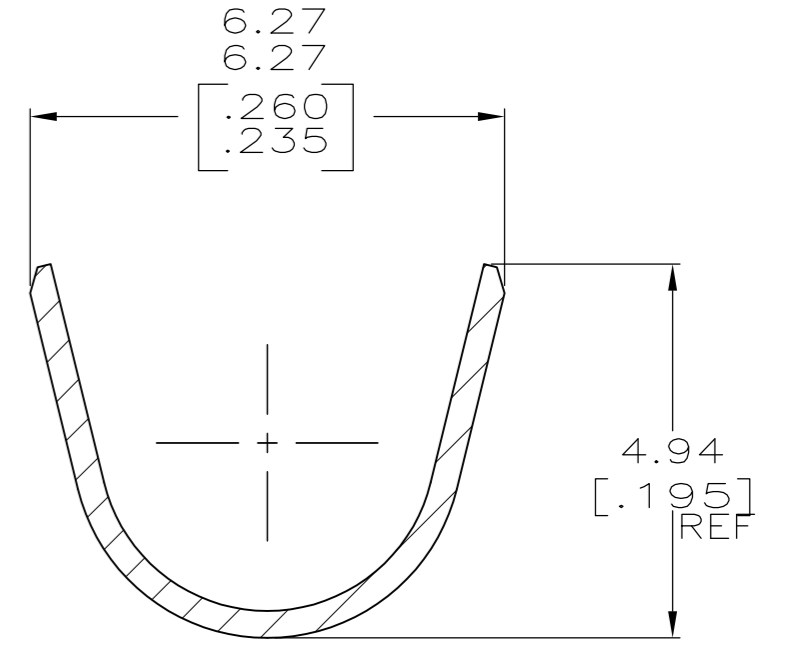
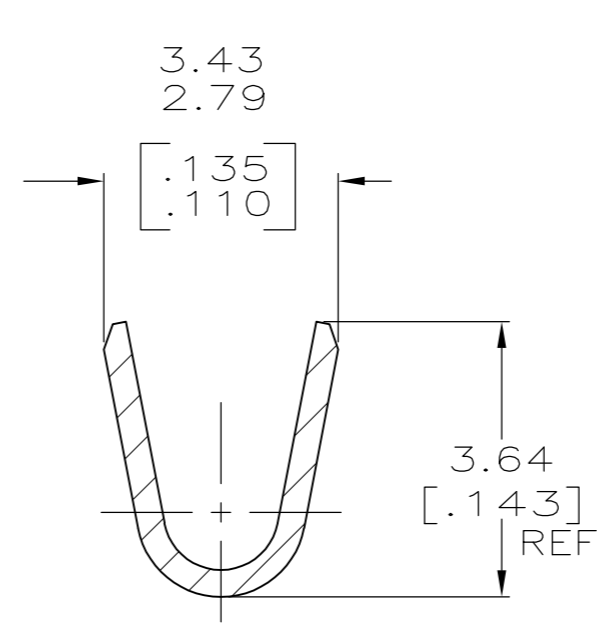
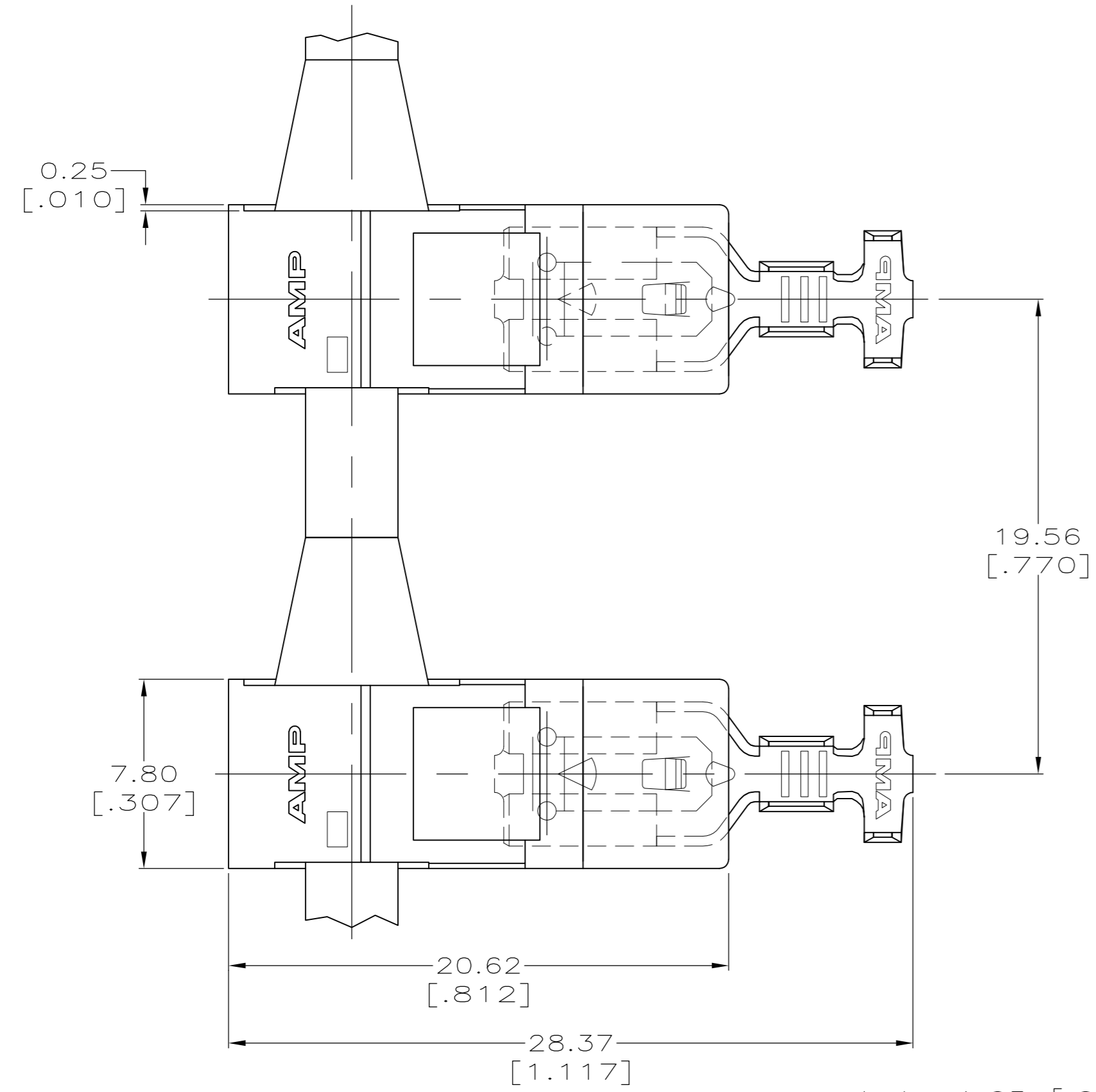


THIS DRAWING IS UNPUBLISHED. RELEASED FOR PUBLICATION
 © COPYRIGHT - By - ALL RIGHTS RESERVED.

| LOC | DIST | REVISIONS | | | |
|-----|------|-----------------------------|---------|-----|------|
| P | LTR | DESCRIPTION | DATE | DWN | APVD |
| AF | 50 | | | | |
| | | E REVISED PER ECR-12-013219 | 08JAN13 | KH | KR |

- 1 WIRE SIZE IS [#18-#14] AWG.
- 2 INSULATION RANGE IS 2.79-4.57[.110-.180] DIA.
 2.79-3.56 [.110-.140] DIA - CRIMP WIDTH 4.57 [.180], F TYPE
 3.56-4.57 [.140-.180] DIA - CRIMP WIDTH 4.57 [.180], O TYPE
- 3 MATING TAB THK TO BE 0.51±0.025[.020±.001]



SECTION X-X
SCALE 10:1

SECTION Y-Y
SCALE 10:1

| | |
|----------------------------|----------|
| 0.001016 [.000040] MIN TIN | 521271-2 |
| - | 521271-1 |
| TERMINAL / MATERIAL | PART NO. |

| | | | | | | | | |
|---|--|----------------------|------------------|---------|-----------|--|------------|---------------|
| THIS DRAWING IS A CONTROLLED DOCUMENT. | | DWN | JR RUTH | 24FEB00 | | TE Connectivity | | |
| DIMENSIONS: mm [INCHES] | | CHK | MS FEHER | 24FEB00 | | NAME | | |
| TOLERANCES UNLESS OTHERWISE SPECIFIED: | | APVD | J HUMMEL | 24FEB00 | | ASSEMBLY, RECEPT, POSI-LOCK, ULTRA-POD, 4.75 [.187] SERIES | | |
| 0 PLC ± - 1 PLC ± - 2 PLC ± 0.25 [.010] 3 PLC ± - 4 PLC ± - ANGLES ± - | | PRODUCT SPEC | - | | | SIZE | A2 | |
| MATERIAL | | FINISH | WEIGHT | | CAGE CODE | | DRAWING NO | RESTRICTED TO |
| TERMINAL - BRASS | | TERMINAL - SEE TABLE | - | | 00779 | | C=521271 | - |
| HOUSING - 6/6 NYLON, V2 | | HOUSING - NATURAL | CUSTOMER DRAWING | | SCALE | | 5:1 | SHEET |
| | | | | | 1 OF 1 | | REV | E |

单击下面可查看定价，库存，交付和生命周期等信息

[>>TE Connectivity\(泰科\)](#)