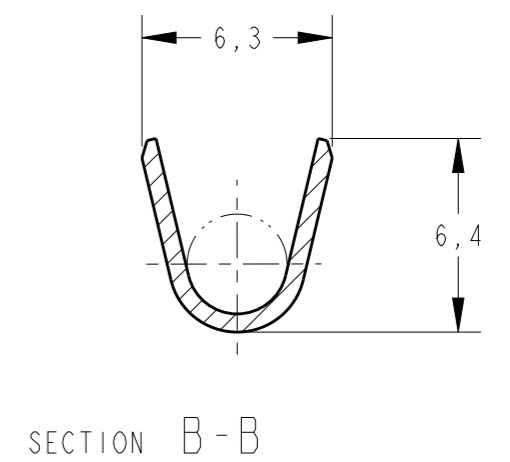
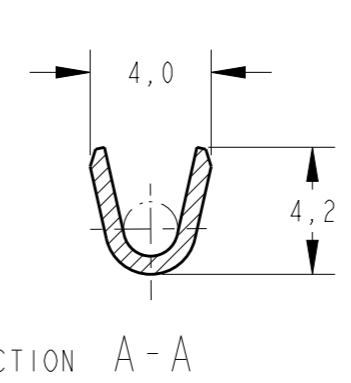
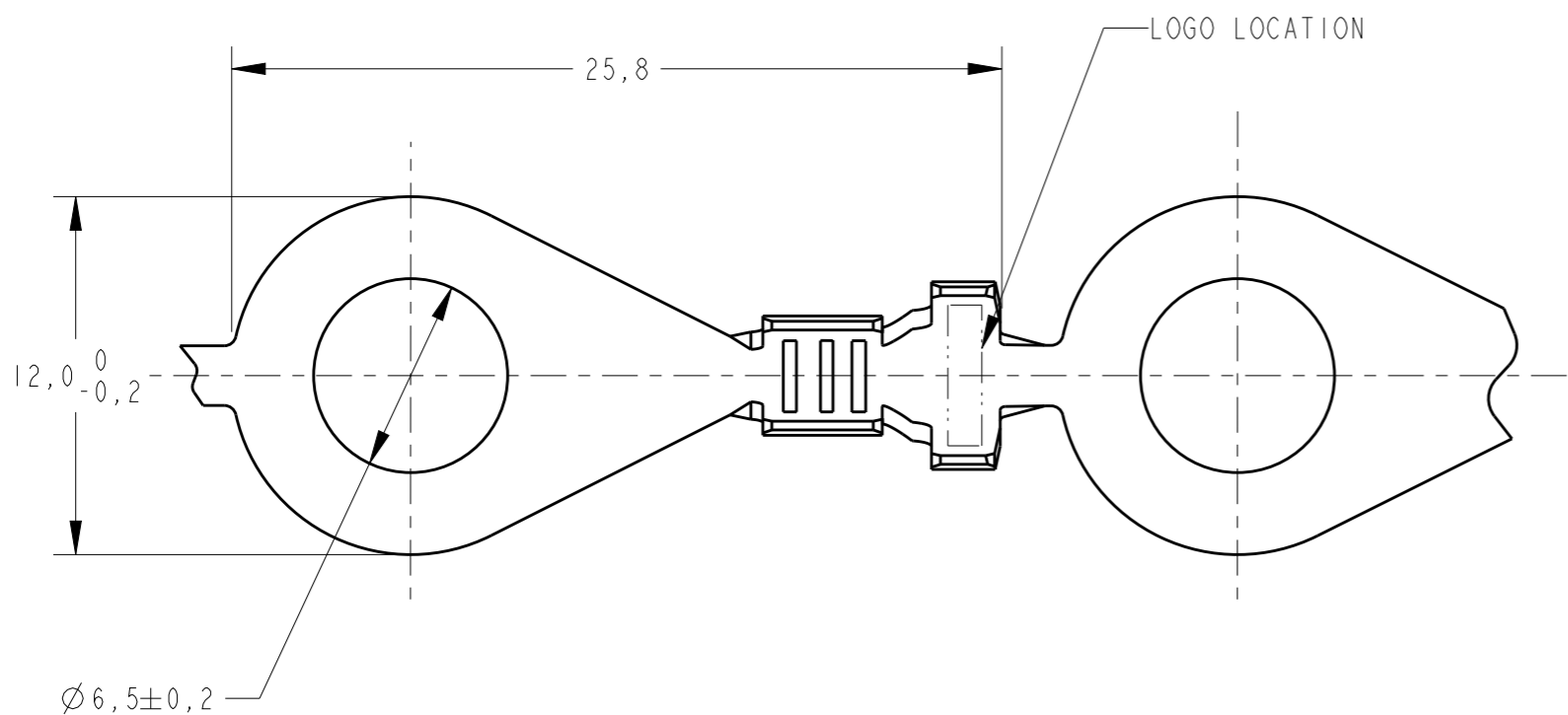
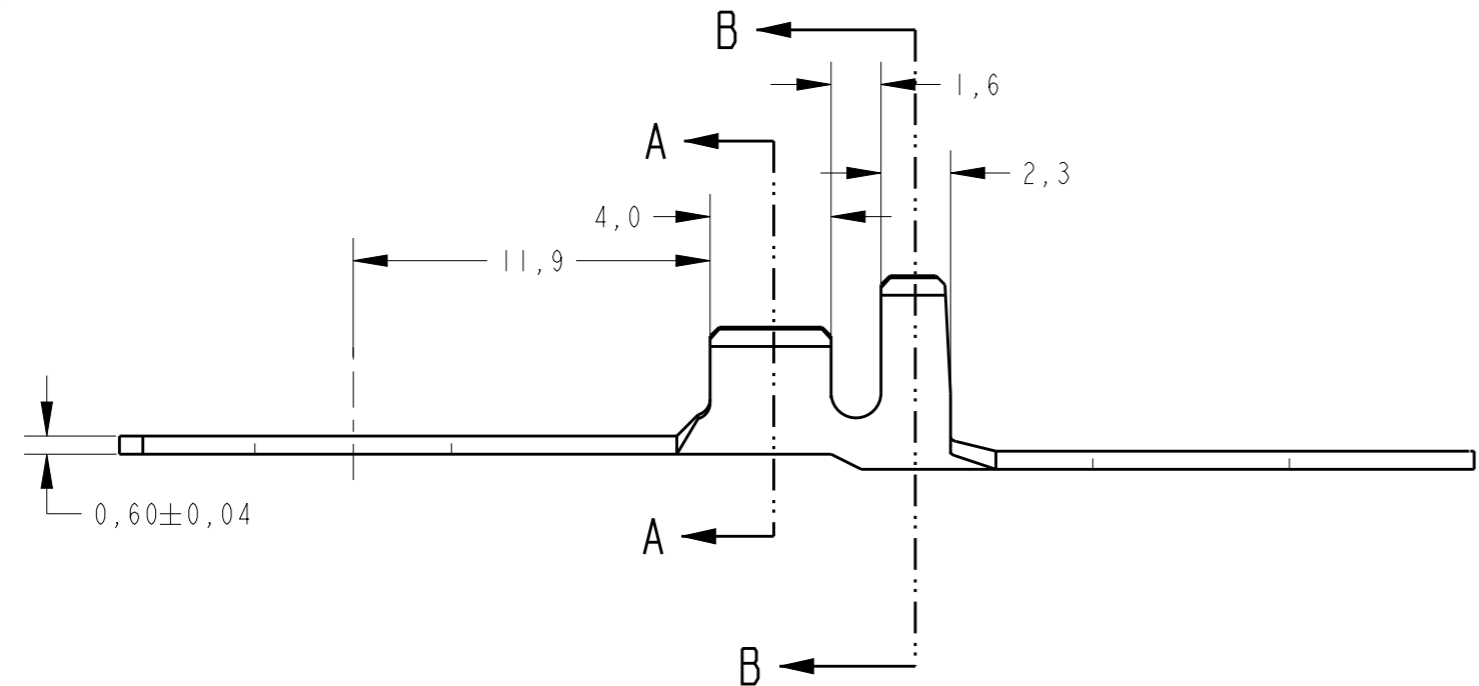


THIS DRAWING IS UNPUBLISHED. RELEASED FOR PUBLICATION 20  
 © COPYRIGHT 20 BY - ALL RIGHTS RESERVED.

LOC	DIST	REVISIONS					
AP	-	P	LTR	DESCRIPTION	DATE	DWN	APVD
			A3	REV. BY ECO 14-018353	10DEC2014	HC	WLS
			A4	REVISED BY ECO 16-005813	30JUN2016	HC	WLS
			-	-	-	-	-
			-	-	-	-	-



△ - C.A 272  
 2- REBOBINAR INTERCALADO COM PAPEL REELING WITH PAPER INTERLEAVE.



<b>OBSOLETE</b>	ESTANHADO/TIN PLATED	LATÃO/BRASS	880627-5
	ESTANHADO/TIN PLATED	BRONZE F./PHOS.BRONZE	880627-4
<b>OBSOLETE</b>	—	BRONZE F./PHOS.BRONZE	880627-3
	ESTANHADO/TIN PLATED	LATÃO/BRASS	880627-2
	—	LATÃO/BRASS	880627-1
	FINISH	MATERIAL △	PART NUMBER

THIS DRAWING IS A CONTROLLED DOCUMENT.		DWN 10DEC2014 H. CANTERI	TE Connectivity	
DIMENSIONS: mm		CHK 10DEC2014 W.L. STEFANI		
TOLERANCES UNLESS OTHERWISE SPECIFIED:		APVD -	NAME RING TONGUE	
0 PLC ± -	1 PLC ± 0,3	PRODUCT SPEC -	SIZE A3	
2 PLC ± -	3 PLC ± -	APPLICATION SPEC -	CAGE CODE 00779	DRAWING NO C=880627
4 PLC ± -	ANGLES ± 0° 30'	WEIGHT -	RESTRICTED TO -	
MATERIAL -	FINISH -	Customer Drawing		
WIRE RANGE >1,0-2,5mm <sup>2</sup>		SCALE 4/1		
INSUL. RANGE Ø 2,7/4,0mm		SHEET 1 OF 1		
		REV A4		

单击下面可查看定价，库存，交付和生命周期等信息

[>>TE Connectivity\(泰科\)](#)