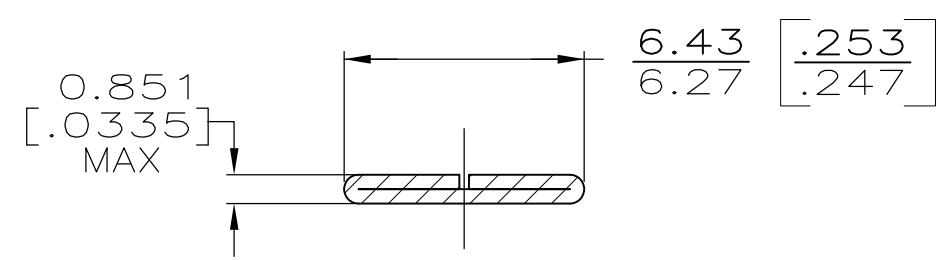
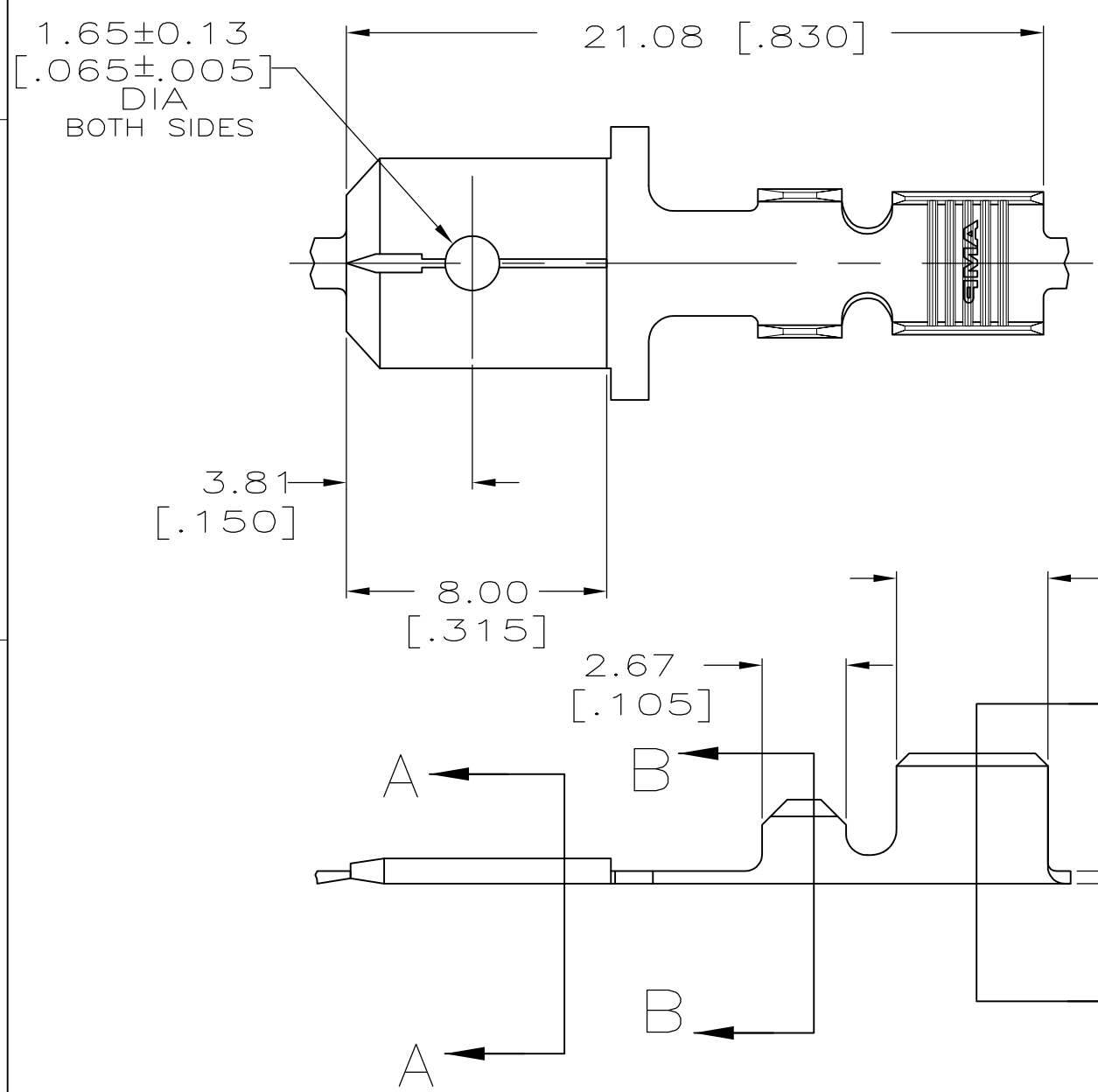


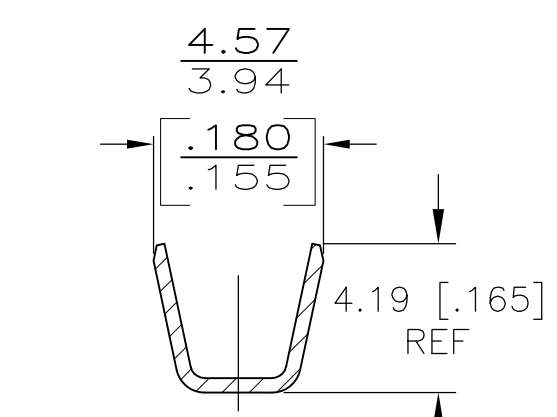
THIS DRAWING IS UNPUBLISHED. RELEASED FOR PUBLICATION
 © COPYRIGHT - By - ALL RIGHTS RESERVED.

LOC	DIST	REVISIONS			
P	LTR	DESCRIPTION	DATE	DWN	APVD
AF	50	C2	REV PER ECR 13-010339	26JUN13	JR PD

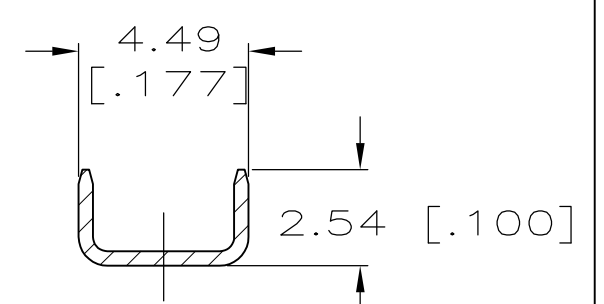
1 CONTINUOUS STRIP ON REELS.
 2 TIN PLATE 0.002032 [.000080] WITH VARNISH RESIST.



SECTION A-A



SECTION C-C



SECTION B-B

[14-12 (2) #16]	63657-1
WIRE SIZE	PART NO.

THIS DRAWING IS A CONTROLLED DOCUMENT.		DWN JR RUTH 8/11/92	TE Connectivity NAME TAB, AMPLIVAR, 6.35 [.250] SERIES				
DIMENSIONS: MM [INCHES]		CHK MS FEHER 8/11/92					
TOLERANCES UNLESS OTHERWISE SPECIFIED:		APVD C MEYERS 8/11/92					
0 PLC ± - 1 PLC ± - 2 PLC ± 0.25 [.010] 3 PLC ± - 4 PLC ± - ANGLES ± -		PRODUCT SPEC -					
MATERIAL 082 BRASS		FINISH 2	APPLICATION SPEC -	SIZE A3	CAGE CODE 00779	DRAWING NO C-63657	RESTRICTED TO -
CUSTOMER DRAWING			WEIGHT -	SCALE 5:1	SHEET 1 OF 1	REV C2	

单击下面可查看定价，库存，交付和生命周期等信息

[>>TE Connectivity\(泰科\)](#)