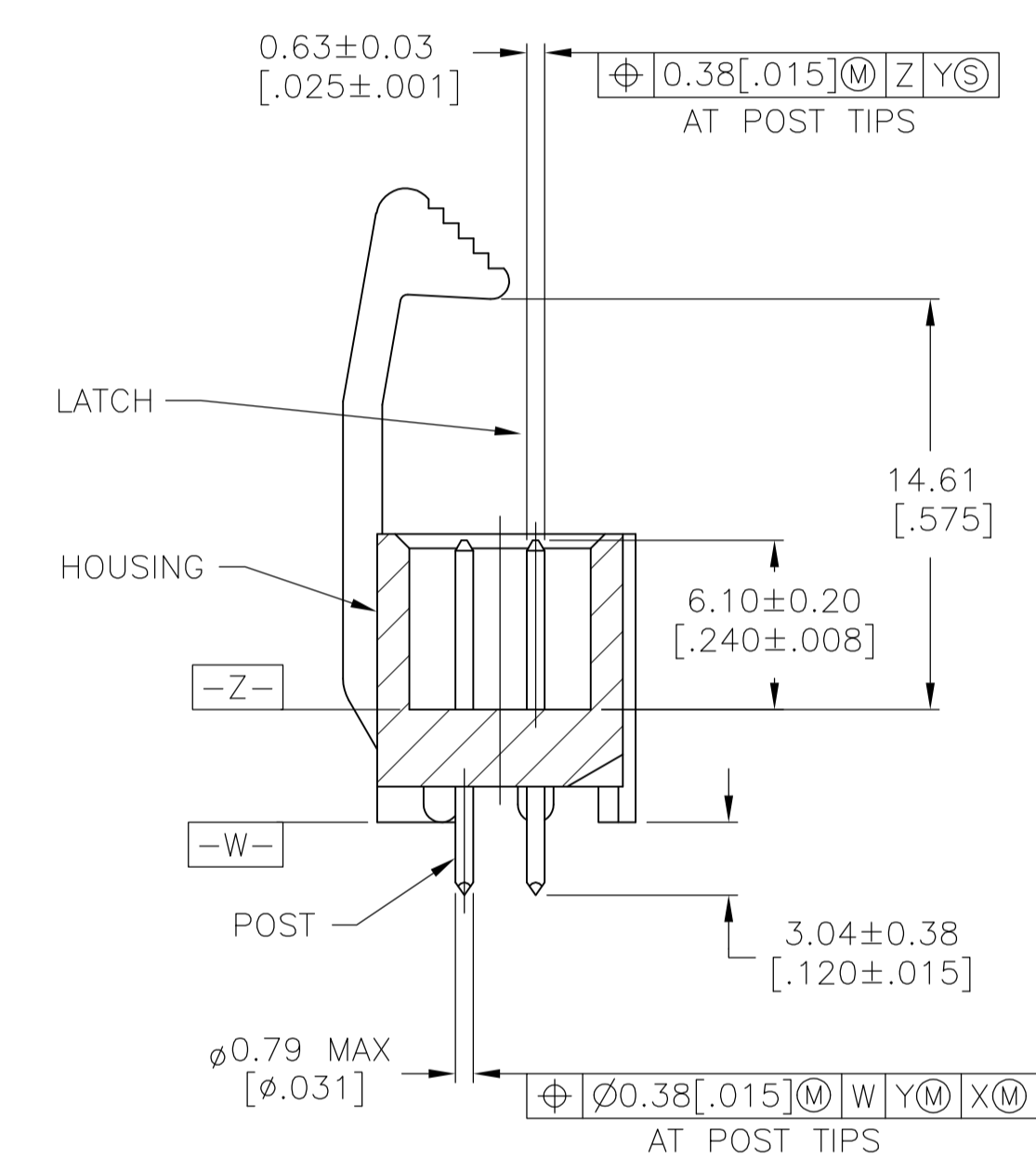
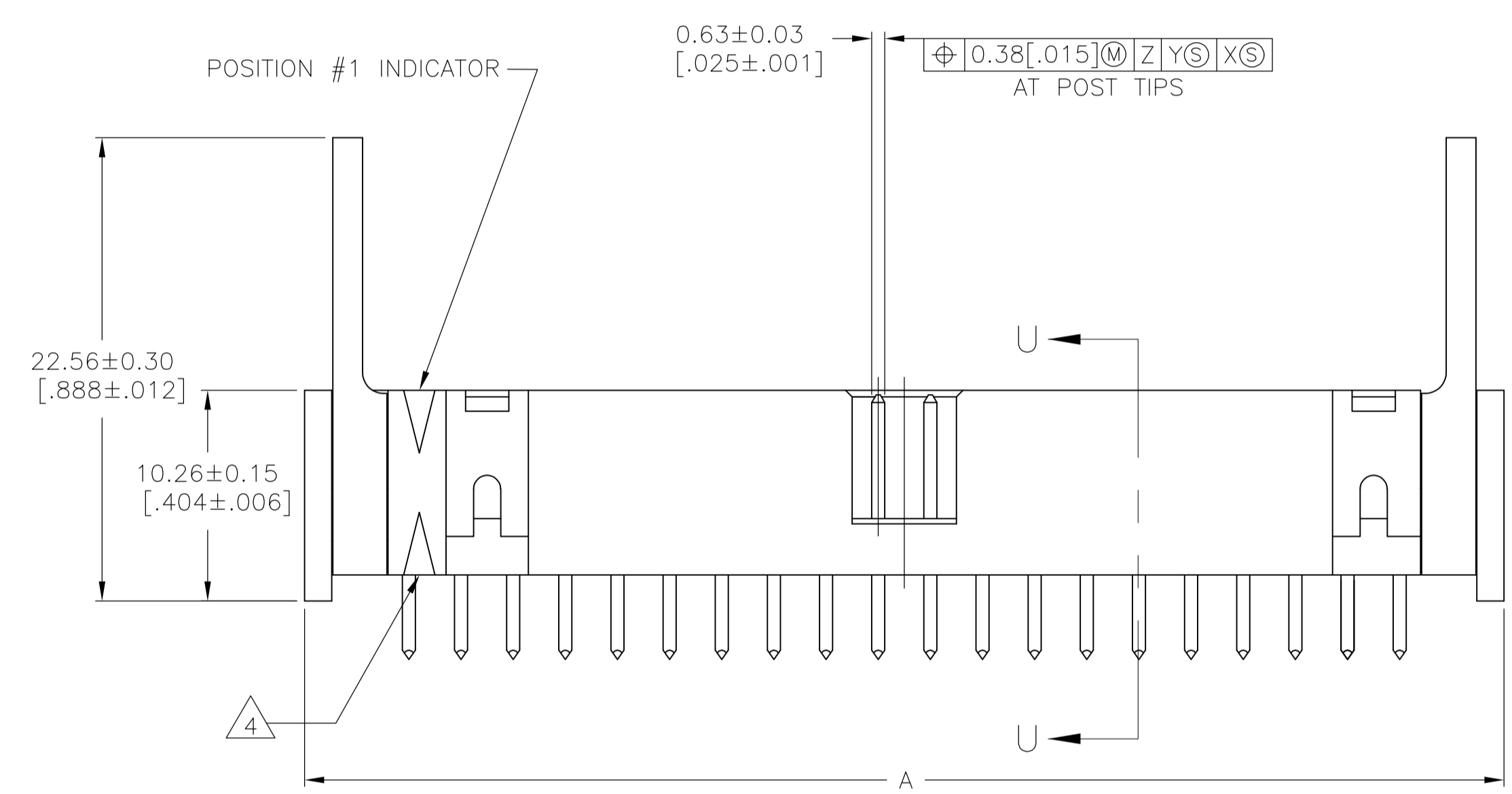


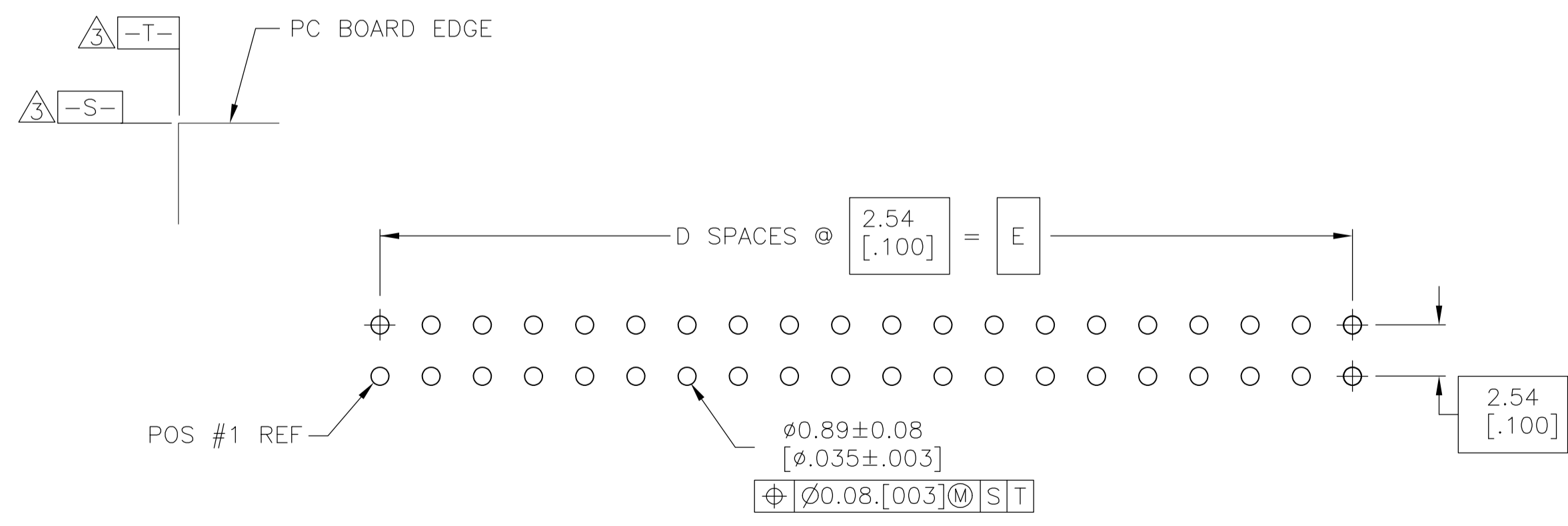
△ HOUSING: PBT, UL94V-0, COLOR: BLACK.
 POSTS: PHOSPHOR BRONZE.
 LATCHES: ZINC ALLOY.

△ POSTS: GOLD FLASH OVER PALLADIUM-NICKEL PLATE, 0.76 μ m [.000030] MIN TOTAL ON MATING AREA, 2.54 μ m [.000100] MIN TIN PLATE ON SOLDER-TAIL, ALL OVER 1.27 μ m [.000050] MIN NICKEL UNDERPLATE ON ENTIRE POST.
 OR
 0.76 μ m [.000030] MIN GOLD PLATE ON MATING AREA, 2.54 μ m [.000100] MIN TIN PLATE ON THE SOLDER-TAIL, 1.27 μ m [.000050] MIN NICKEL UNDERPLATE ON THE ENTIRE POST.
 LATCHES: BLACK NICKEL OVER COPPER.

△ DATUMS S & T TO BE ESTABLISHED BY CUSTOMER.
 △ ALTERNATE LOCATION/ORIENTATION FOR POSITION #1 INDICATOR.



SECTION U-U



RECOMMENDED PC BOARD LAYOUT
 (VIEWED FROM CONNECTOR SIDE)

48.26 [1.900]	19	50.29 [1.980]	55.78 [2.196]	58.42 [2.300]	40	1-1888381-3
E	D	C	B	A	NO OF POS	PART NUMBER

THIS DRAWING IS A CONTROLLED DOCUMENT.		DIN J.GERACE 01MAR06		Tyco Electronics Corporation	
DIMENSIONS: mm [INCHES]		TOLERANCES UNLESS OTHERWISE SPECIFIED:		Tyco Electronics Corporation Harrisburg, PA 17105-3608	
0 PLC	± -	APVD M.WALMSLEY 01MAR06		NAME	
1 PLC	± -	PRODUCT SPEC		HEADER ASSEMBLY, VERTICAL, LONG EJECT LATCH, LOW PROFILE, IDC	
2 PLC	± -	APPLICATION SPEC		SIZE CAGE CODE DRAWING NO	
3 PLC	± 0.13 [.005]	WEIGHT		A1 00779 C=1888381	
4 PLC	± -	CUSTOMER DRAWING		RESTRICTED TO	
ANGLES	± -	SCALE 5:1		SHEET 1 OF 1	
MATERIAL	FINISH	SCALE 5:1		REV E	

单击下面可查看定价，库存，交付和生命周期等信息

[>>TE Connectivity\(泰科\)](#)