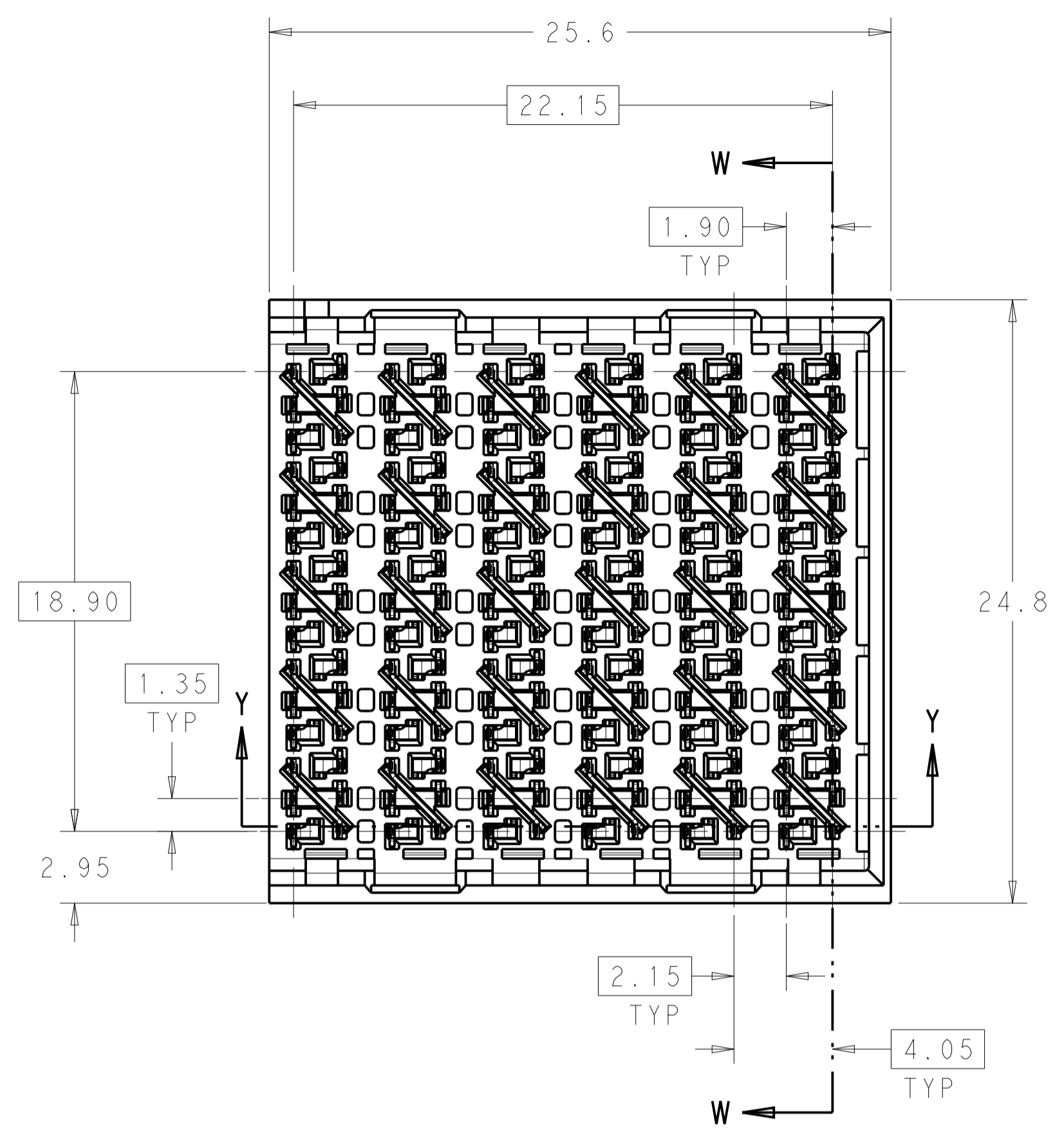
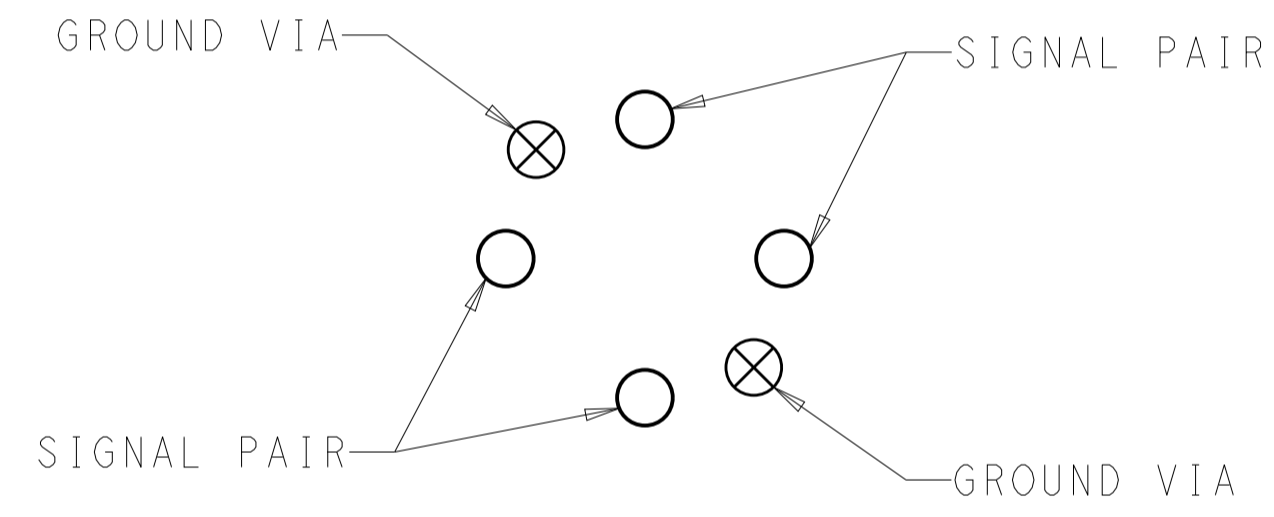
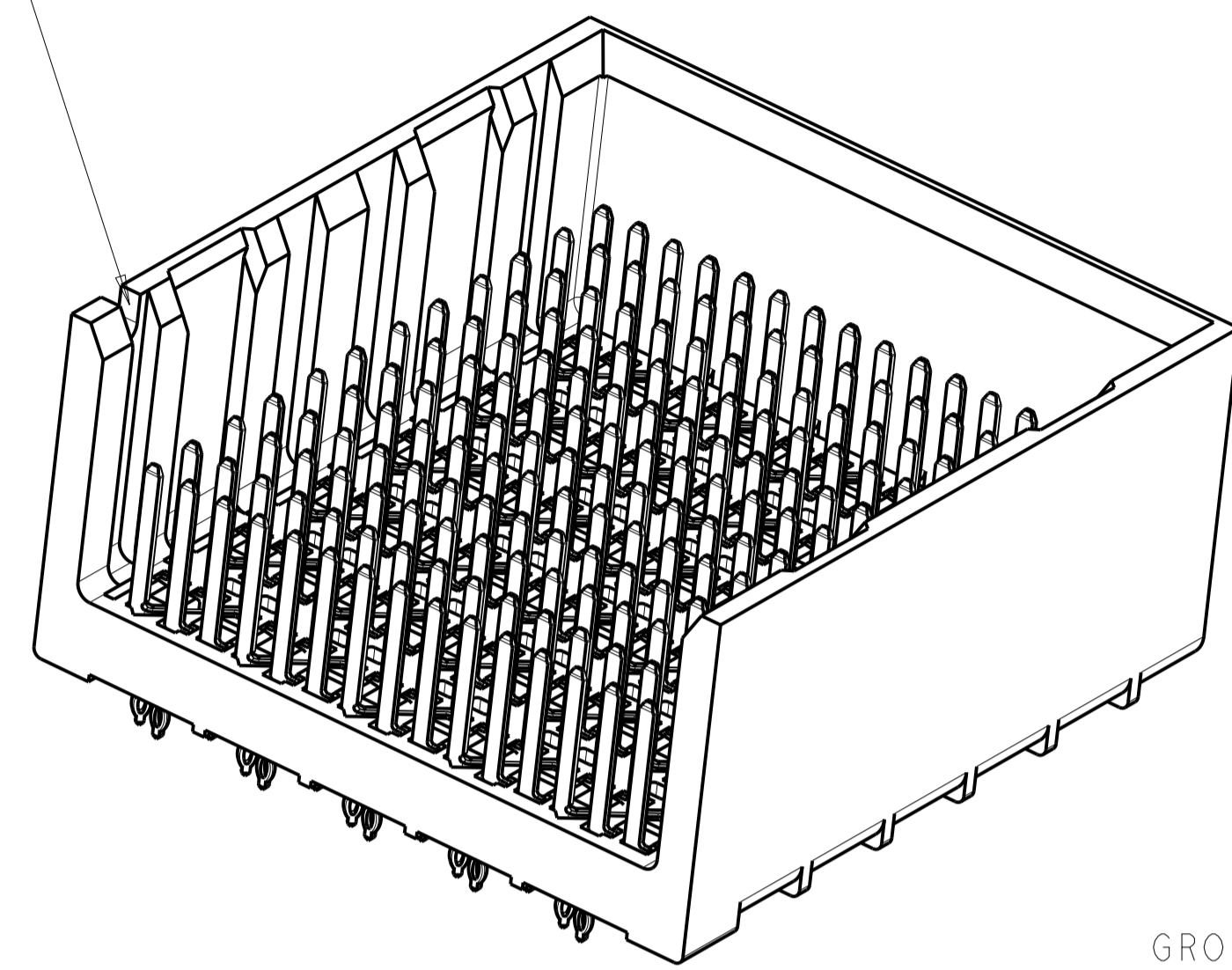


REVISIONS				
P.	LTN	DESCRIPTION	DATE	OWN APVD
B		REVISED PER ECO-14-013272	09SEP2014	AP DD

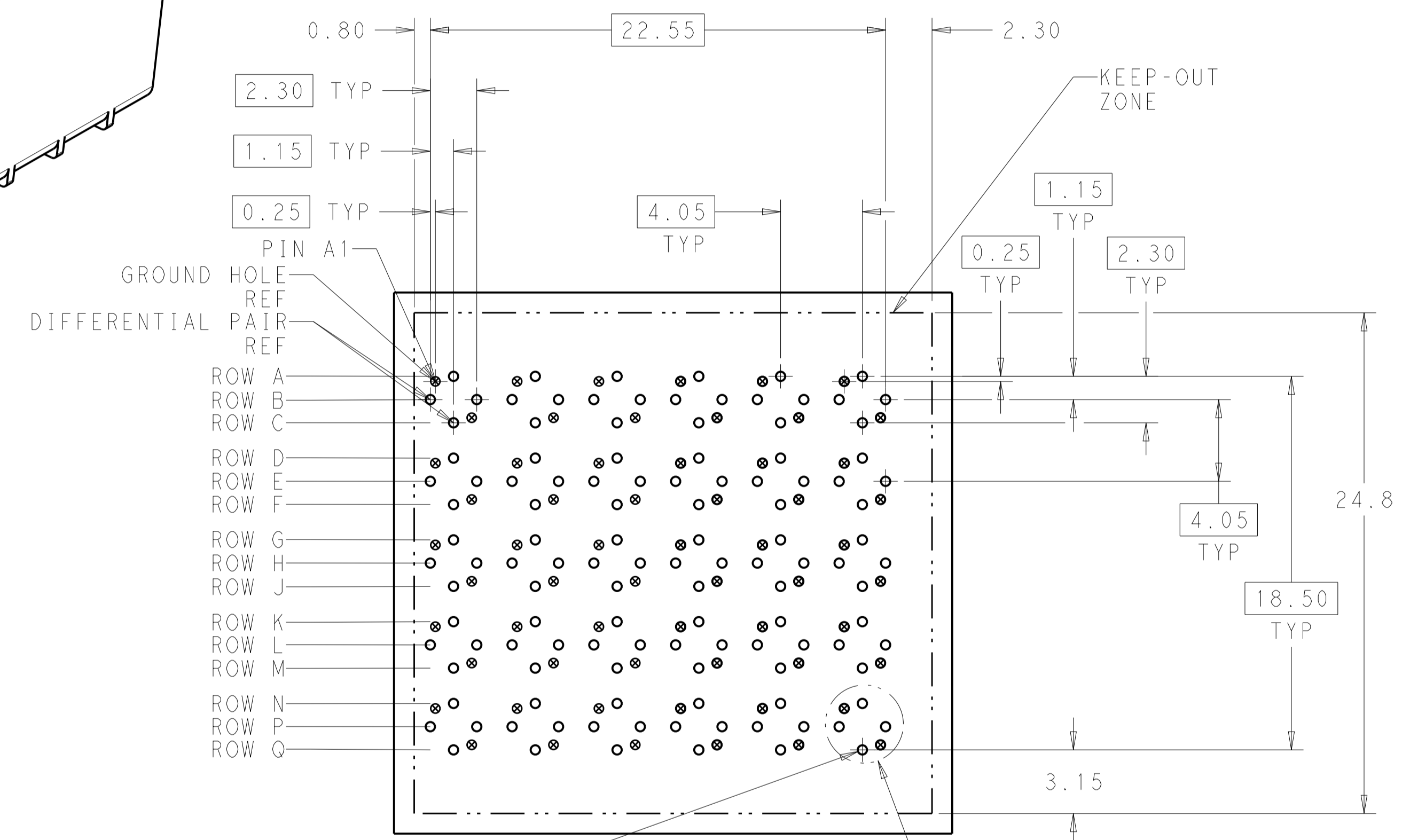


NOTCH DESIGNATES ROW A



DETAIL X
SCALE 16:1

- 1 MATERIAL:
HOUSING: LCP, GLASS FILLED, UL94V-0.
TERMINALS: HIGH PERFORMANCE COPPER ALLOY.
- 2 FINISH:
30µ" MIN GOLD IN CONTACT AREA. SELECTIVE TIN ON PCB TAILS, NICKEL OVERALL.

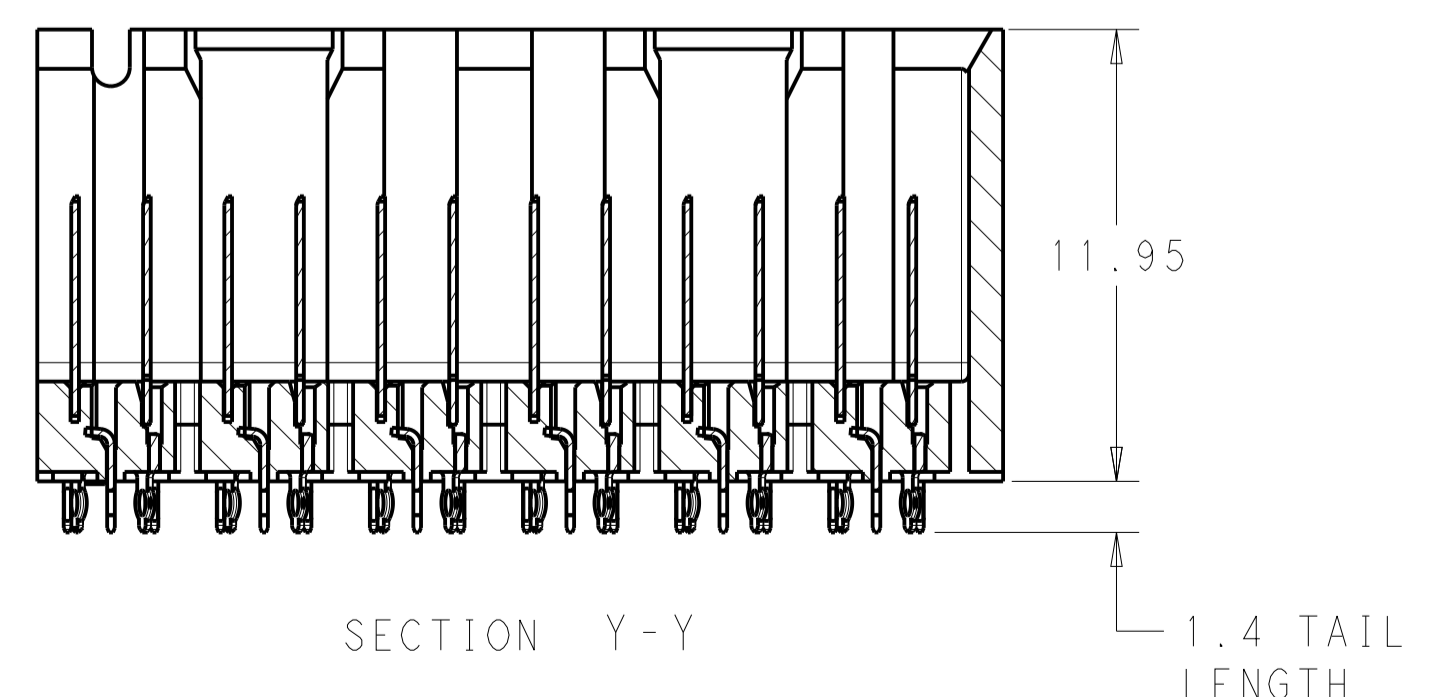


180X Ø0.46±0.08
PLATED THRU HOLE

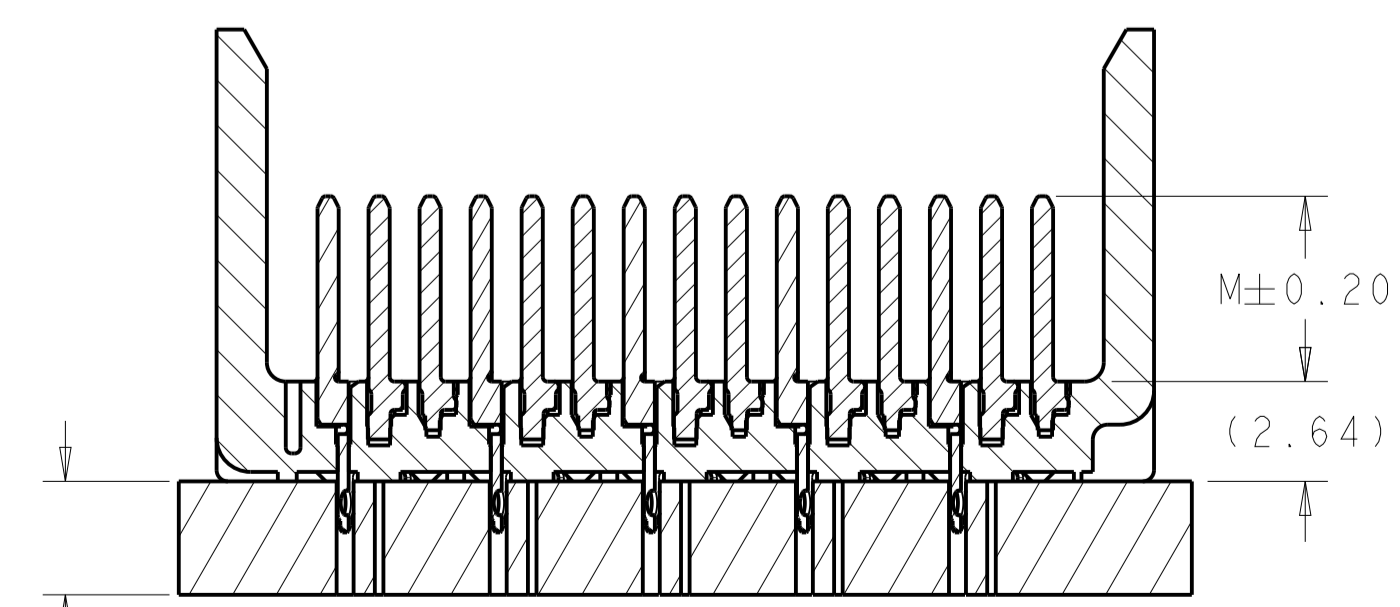
180X Ø0.55±0.013
DRILL HOLE
Ø0.10

UNGUIDED
BACKPLANE HOLE PATTERN
(CONNECTOR SIDE)

REFER TO WWW.TE.COM
FOR PRODUCT AVAILABILITY



SECTION Y-Y



SECTION W-W

3.00
MINIMUM BOARD
THICKNESS

2	5.5	2143632-2
2	4.9	2143632-1
FINISH	DIM M	PART NUMBER

THIS DRAWING IS A CONTROLLED DOCUMENT.		OWN: KIRAN HOLH 01DEC2012	
DIMENSIONS: mm		CHK: D. DIXON 01DEC2012	
TOLERANCES UNLESS OTHERWISE SPECIFIED:		APVD: D. DIXON 01DEC2012	NAME: IMPACT, ORTHOGONAL, 5 PAIR, 12 COLUMN HEADER, UNGUIDED, RIGHT END WALL SIGNAL MODULE, 0.46 PTH SIZE: CAGE CODE DRAWING NO: A100779 ©=2143632 RESTRICTED TO:
0 PLC ± 1 PLC ±0.25 2 PLC ±0.13 3 PLC ± 4 PLC ± ANGLES ±		PRODUCT SPEC: APPLICATION SPEC: WEIGHT: CUSTOMER DRAWING	
MATERIAL: SEE TABLE		SCALE: 5:1	SHEET 1 OF 1 REV B

单击下面可查看定价，库存，交付和生命周期等信息

[>>TE Connectivity\(泰科\)](#)