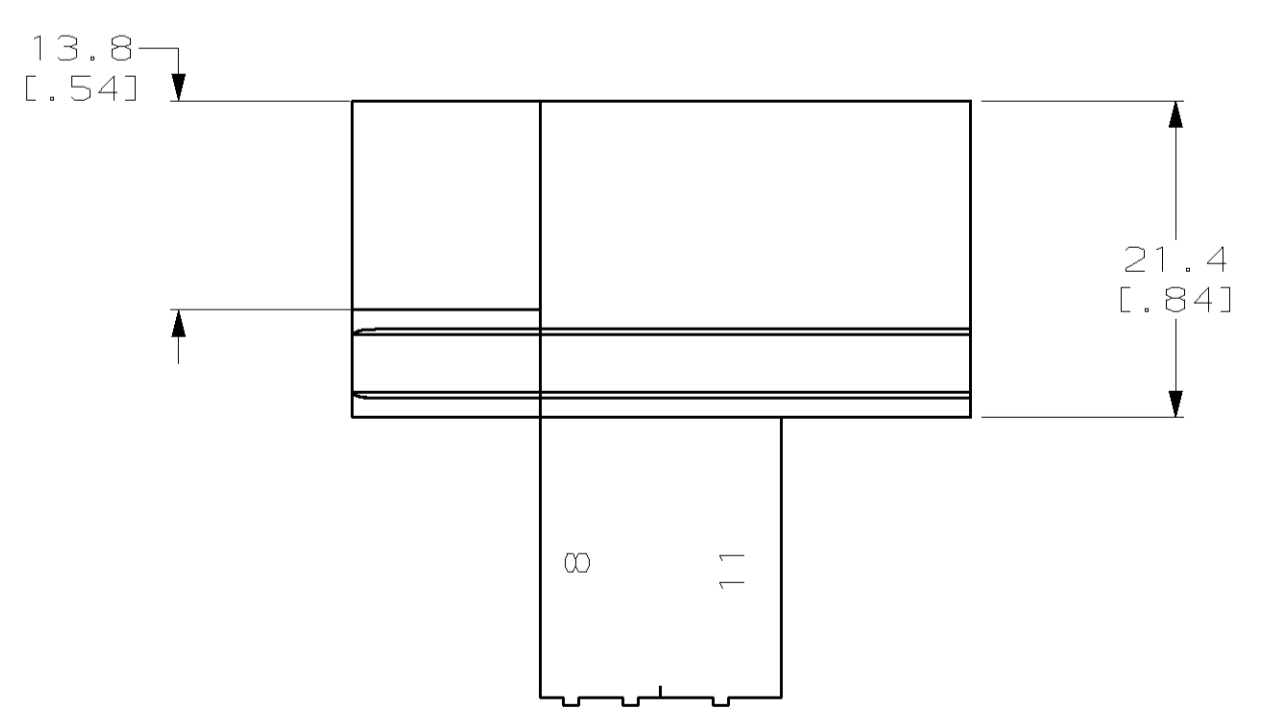
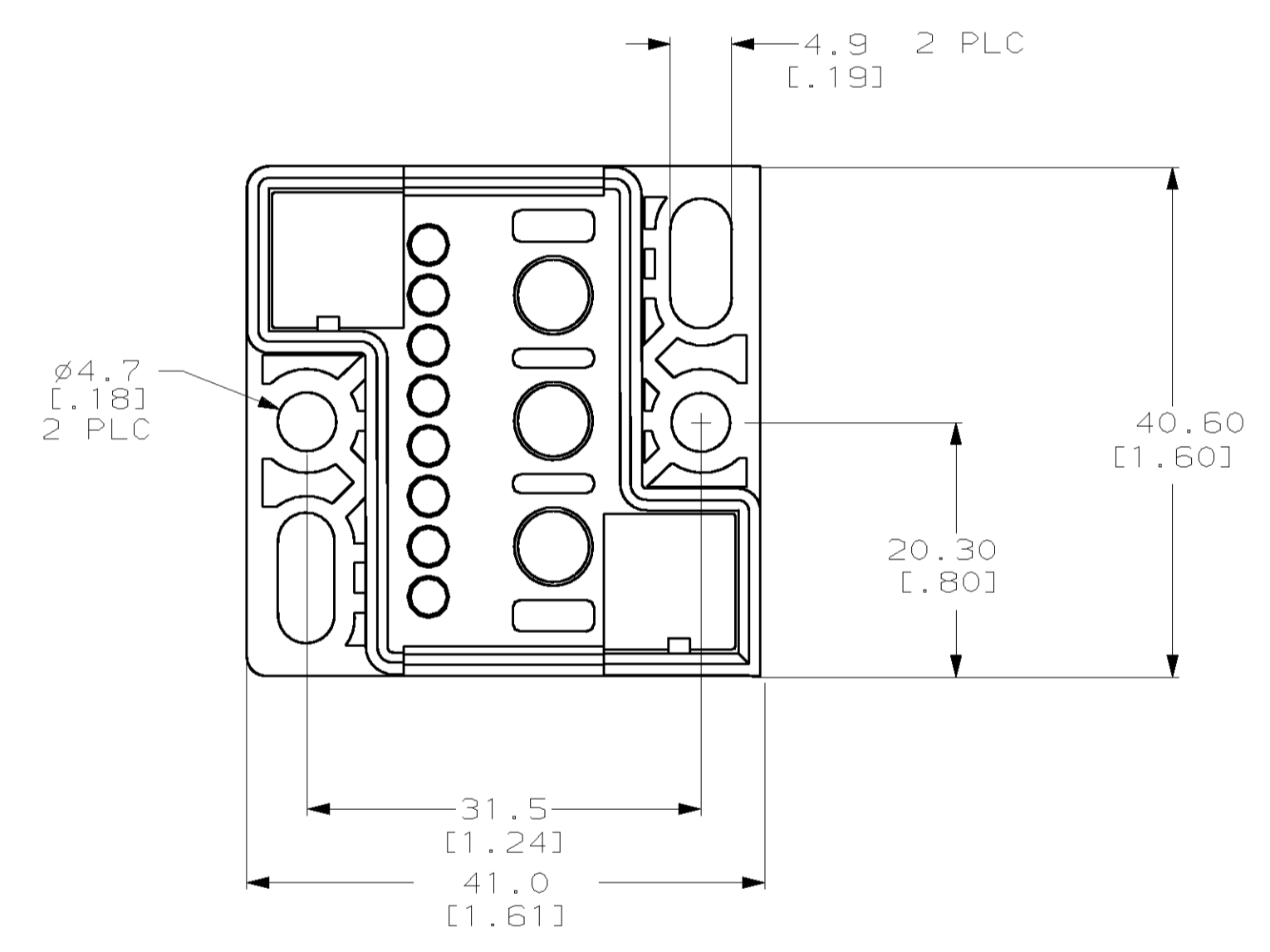
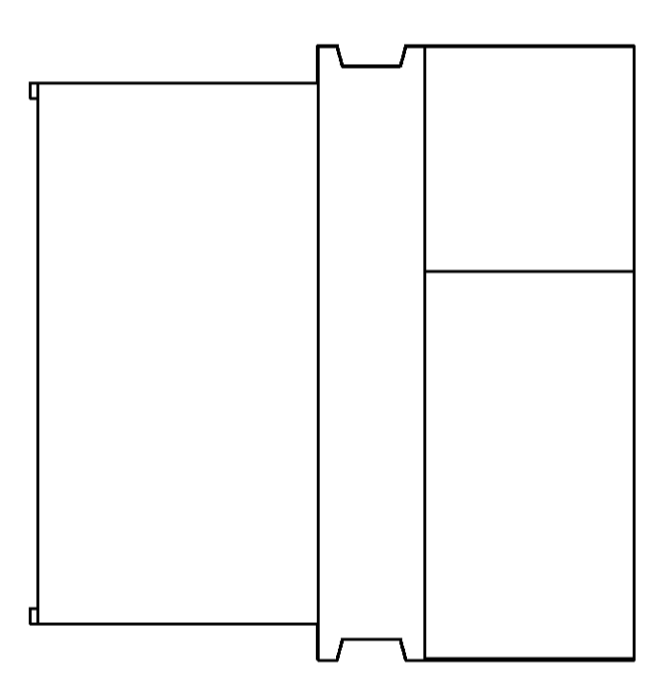
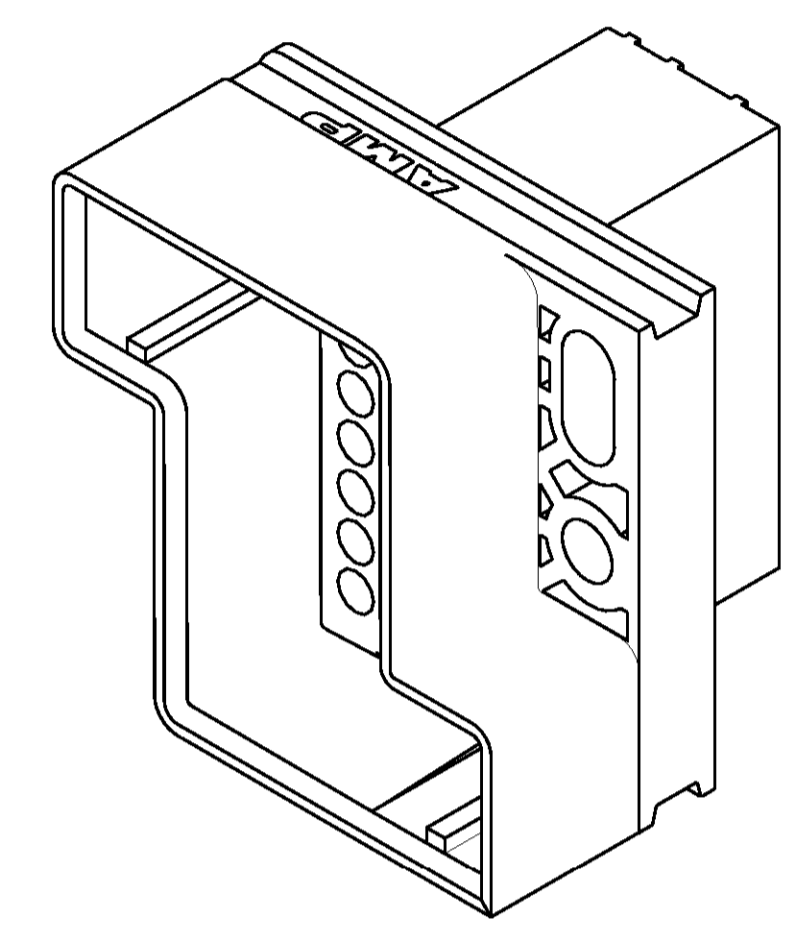
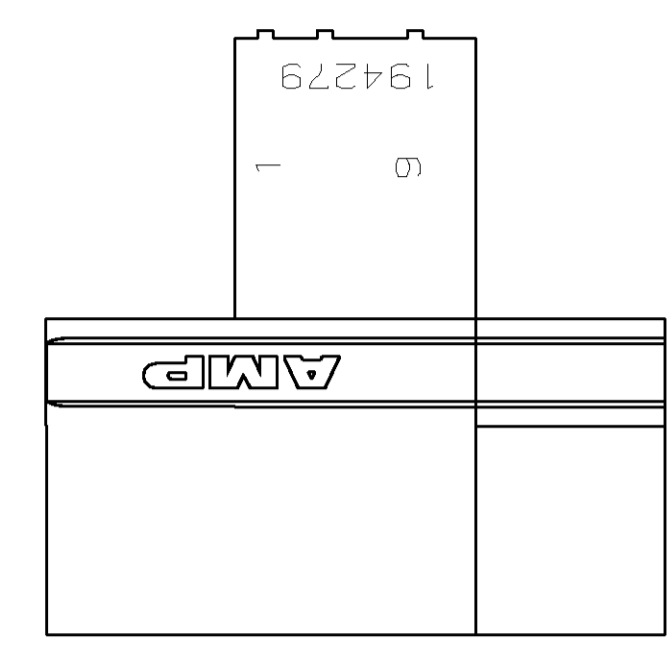


REV. NO.		DATE	DESCRIPTION	DATE	BY	APPROV.
0	FT					
1	B	12DEC00	REVISE PER ECN 063B-0624-00		SU	65

*AMPPOWER is a trademark

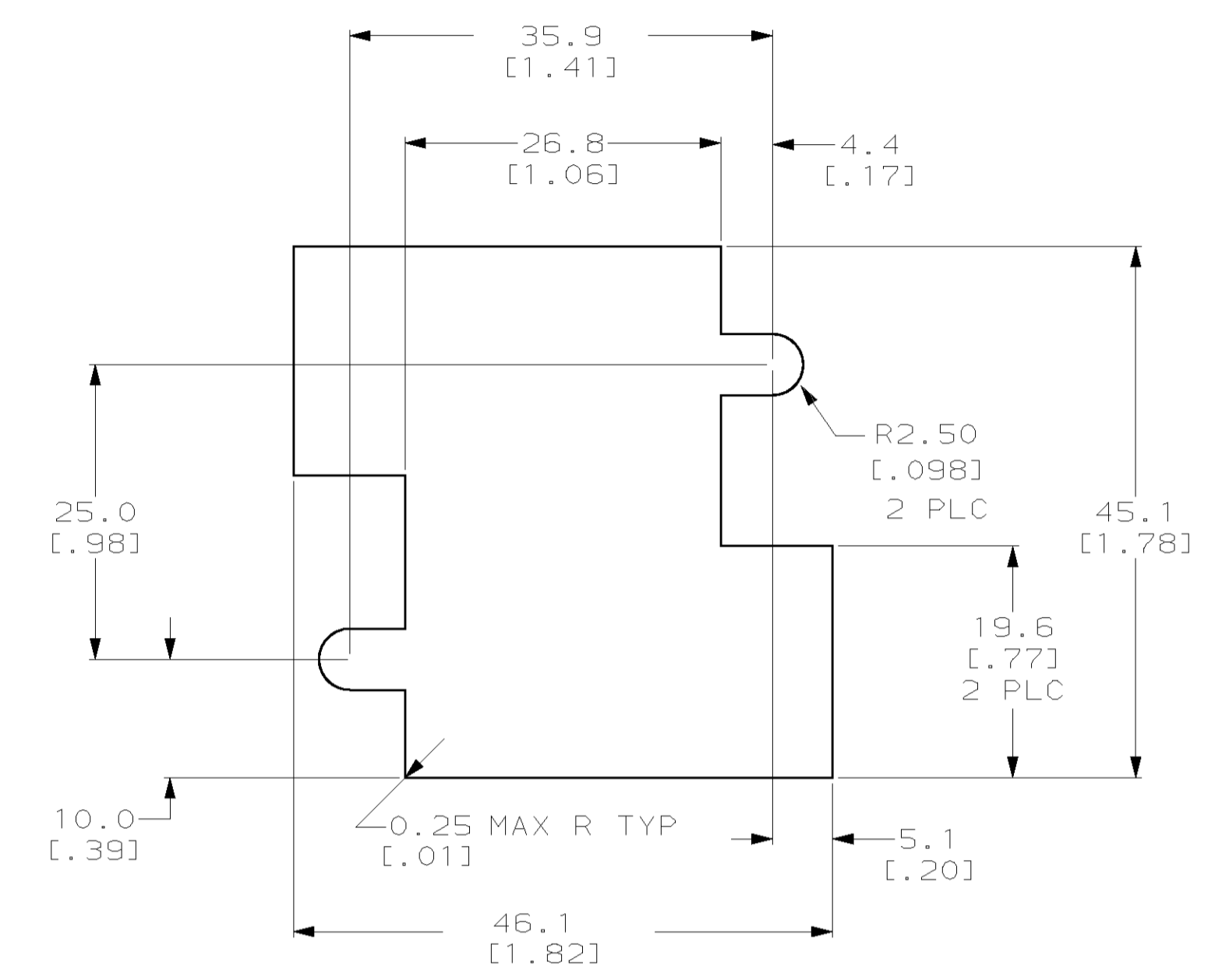


1. MATERIAL: POLYESTER PCT; BLACK.
2. POSITIONS 1 THRU 8 ARE FOR SIZE 16 CONTACTS.
3. POSITIONS 9-11 ARE FOR 3mm CONTACTS.
4. ALL DIMENSIONS ARE REF. ONLY.

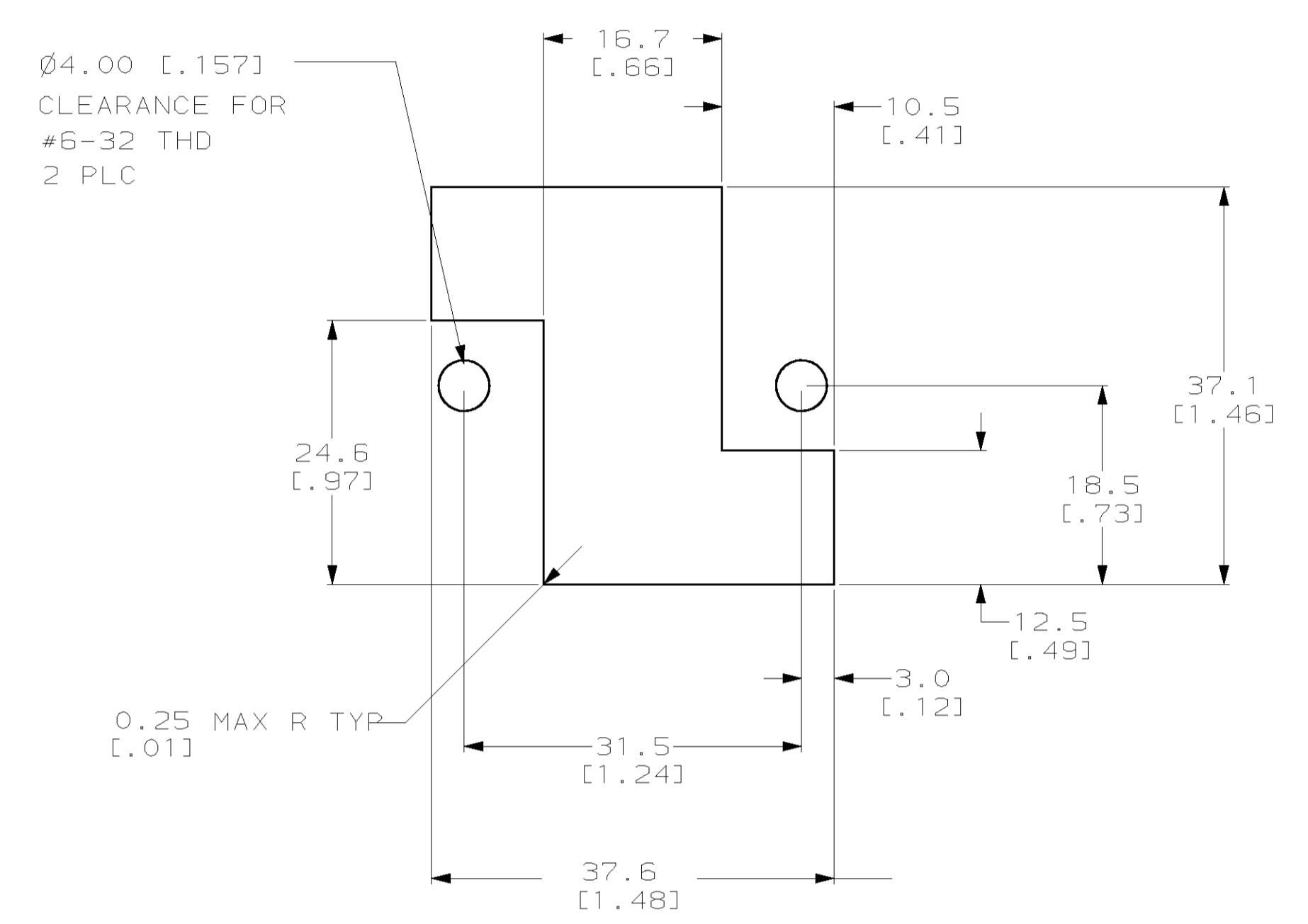
194279-1
PART NUMBER

<small>THIS DRAWING IS A CONTROLLED DOCUMENT AND IS UNPUBLISHED. IT IS SUBJECT TO CHANGE AND THE CONTROLLING ENGINEERING ORGANIZATION SHOULD BE CONTACTED FOR THE LATEST REVISION.</small>		DWN R. N. POLK 27APR98 CHK R. N. POLK 27APR98 APP'D R. N. POLK 27APR98	AMP AMP Incorporated Harrisburg, PA 17105-3608
DIMENSIONS: mm (IN)	TOLERANCES UNLESS OTHERWISE SPECIFIED: 0 PLC ±.05 1 PLC ±.05 2 PLC ±.05 3 PLC ±.05 4 PLC ±.05 ANGLES ±.05	PRODUCT SPEC APPLICATION SPEC SIZE CAGE CODE DRAWING NO. A1 00779 C=194279	AMPOWER* Multi Pin Plus HOUSING, RECEPTACE, 11 POSITION
MATERIAL	FINISH	WEIGHT	SCALE 2:1 SHEET 12 OF REV B CUSTOMER DRAWING

LOC	DIST	REVISIONS				
FT	0	REV	DESCRIPTION	DATE	OWN	APVD
-	-	-	SEE SHEET 1	-	-	-



RECOMMENDED FLOAT MOUNT PANEL CUTOUT
 EXTERNAL VIEW



RECOMMENDED STATIONARY MOUNT PANEL CUTOUT
 EXTERNAL VIEW

THIS DRAWING IS A CONTROLLED DOCUMENT.		DWN R N POLK 27APR98	AMP Incorporated Harrisburg, PA 17105-3608
DIMENSIONS: mm (in)		CHK R N POLK 27APR98	
TOLERANCES UNLESS OTHERWISE SPECIFIED:		APPV R N POLK 27APR98	NAME
0 PLC ±	1 PLC ±	PRODUCT SPEC	AMPOWER® Multi Pin Plus
2 PLC ±	3 PLC ±	APPLICATION SPEC	HOUSING, RECEPTACLE, 11 POSITION
4 PLC ±	ANGLES ±	WEIGHT	SIZE A1
MATERIAL	FINISH	CUSTOMER DRAWING	CAGE CODE 00779
		SCALE	DRAWING NO. 194279
		SHEET	2 OF 2
		REV	B

单击下面可查看定价，库存，交付和生命周期等信息

[>>TE Connectivity\(泰科\)](#)