

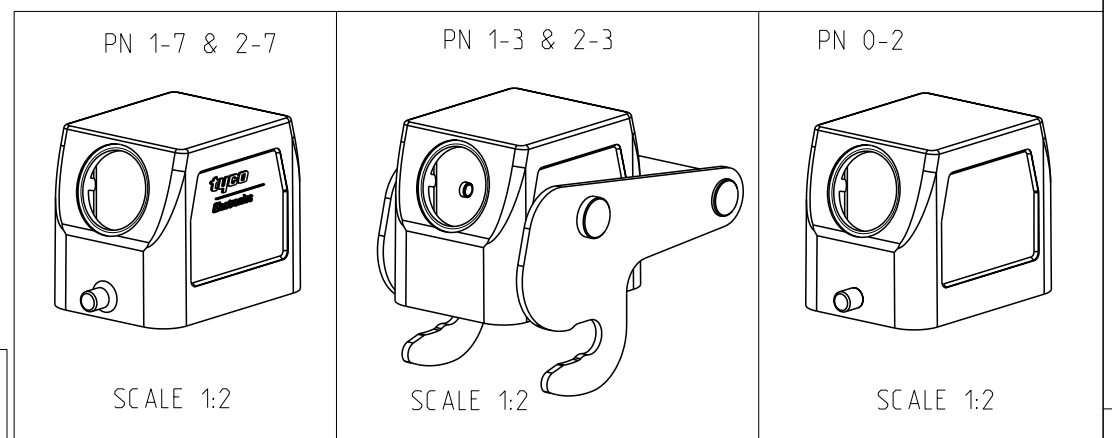
THIS DRAWING IS UNPUBLISHED. RELEASED FOR PUBLICATION 1997
© COPYRIGHT 1997 BY - ALL RIGHTS RESERVED.

REVISIONS

P	LTR	DESCRIPTION	DATE	DWN	APVD
A6		Released as per ECR-08-005944	06.Mar.2008	SP	TS
A7		ECR-16-015318	16AUG2017	GR	MKO
A8		REVISED PER ECR-17-013084	11JAN2018	SRG	MKO

Notes

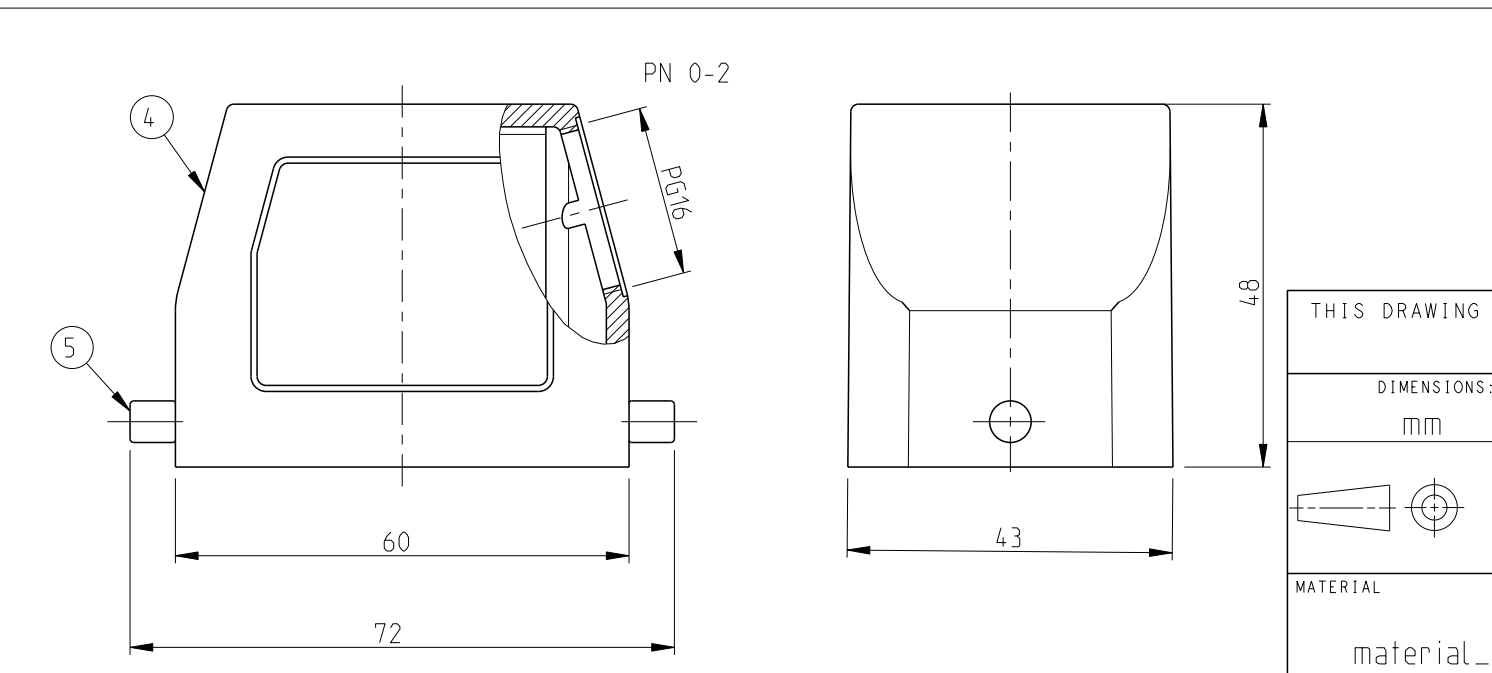
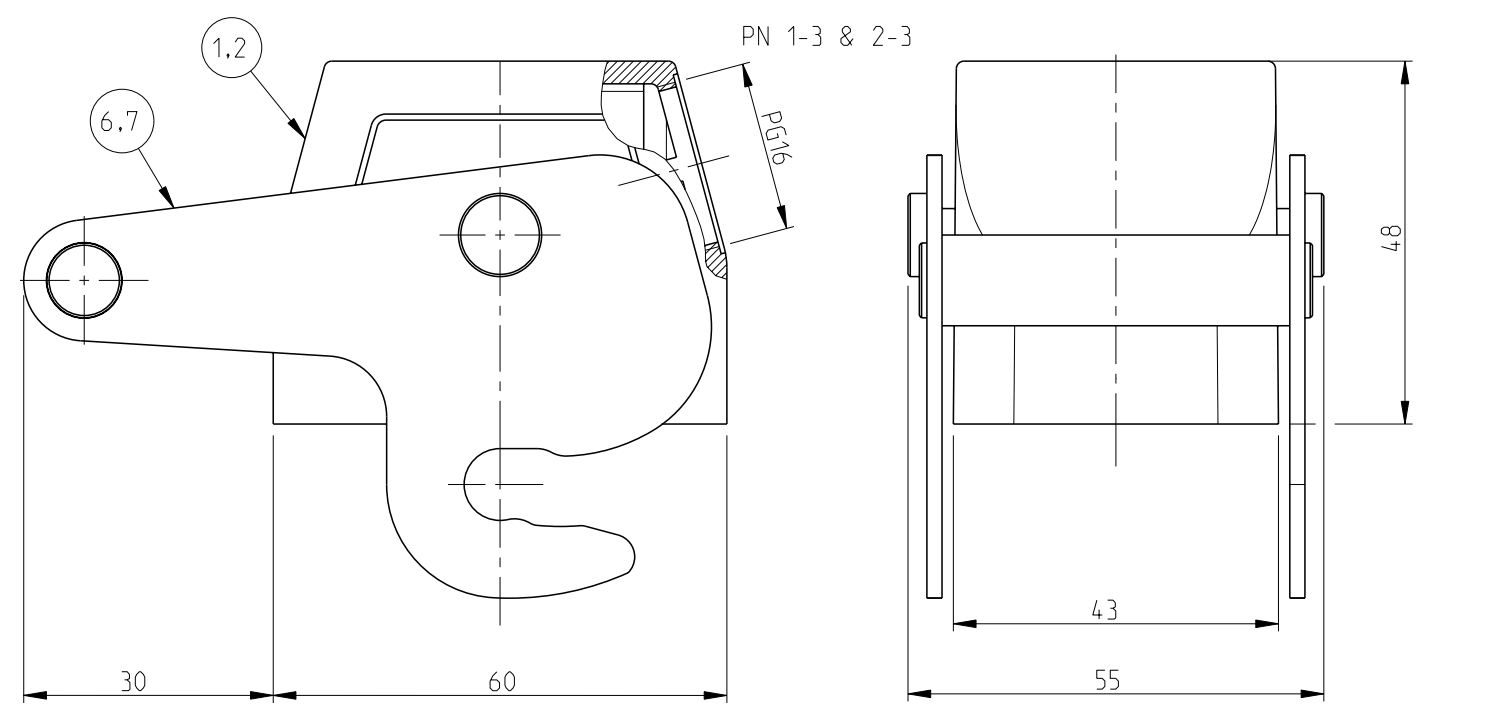
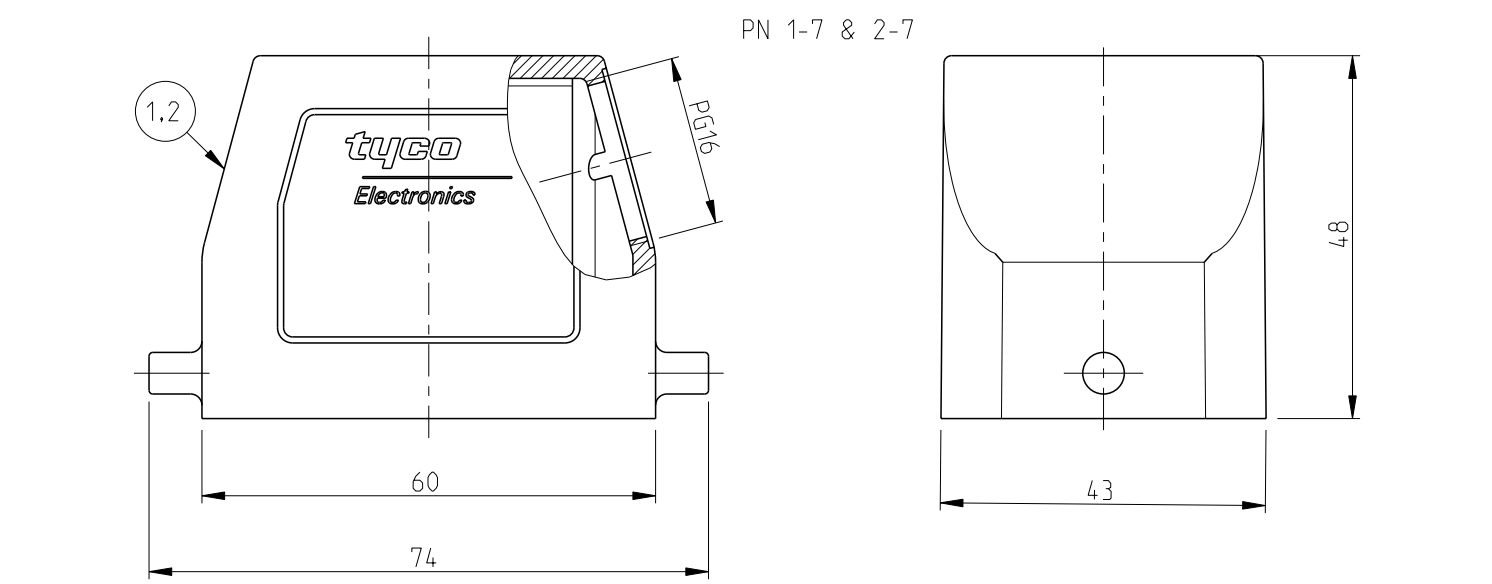
- 1 Material: Housing: Aluminium diecasting alloy
- 2 Surface:- Varnish-grey/White
-Aluminium oxide+Varnish black
- 3 Varnish on the inside not necessary
- 4 Packaging
Packaging quantity: 5 pieces in a box



OBsolete	OBsolete	OBsolete	OBsolete	OBsolete	OBsolete	OBsolete	OBsolete	OBsolete	OBsolete	OBsolete
-	1	1	-	-	Central clip-ZB	Stainlees steel	Blank	-	7	
-	-	-	-	-	Central clip-ZB	Steel	Zinc plated	Blue	6	
2	-	-	-	-	LB-Clip bolt	Stainlees steel	Blank	-	5	
1	-	-	-	-	Hood HB	Aluminium	-	White	4	Without bolt
-	1	-	-	-	Hood HB	Aluminium	-	Grey	3	Also 2xM3 for identification plate
-	-	1	-	1	Hood HB-K	Aluminium	Aluminium oxide	Black	2	
-	-	-	1	-	Hood HB	Aluminium	-	Grey	1	
0-2	0-1	2-3	1-3	2-7	DESCRIPTION	MATERIAL	SURFACE	COLOR	ITEM NO	NOTES

ORDERING TEXT

- HB.6.STS.1.16.G
- HB-K.6.STS.1.16.G
- HB-Z.6.STS-ZB.1.16.G
- HB-K/Z.6.STS-ZB.1.16.G
- HB.6.STS.1.16.G.S0
- HB.6.STS.1.16.G



THIS DRAWING IS A CONTROLLED DOCUMENT.

DIMENSIONS:	TOLERANCES UNLESS OTHERWISE SPECIFIED:
mm	n-ISO 8015
	n-ISO 2768-mH-E
	n-DIN 16901-120
	0 PLC ±
	1 PLC ±
	2 PLC ±
	3 PLC ±
	4 PLC ±
	ANGLES ±
MATERIAL	FINISH
material_2	finish_spec_2

DWN	25.05.1999
CHK	25.05.1999
APVD	
PRODUCT SPEC	108-74001/74003
APPLICATION SPEC	114-74001/74004/74005
WEIGHT	

STE TE Connectivity

NAME: Hood
HB.6.STS.1.16.G

SIZE	CAGE CODE	DRAWING NO	RESTRICTED TO
A3	00779	C=1102240	

CUSTOMER DRAWING SCALE 1:1 SHEET 1 OF 1 REV A8

单击下面可查看定价，库存，交付和生命周期等信息

[>>TE Connectivity\(泰科\)](#)