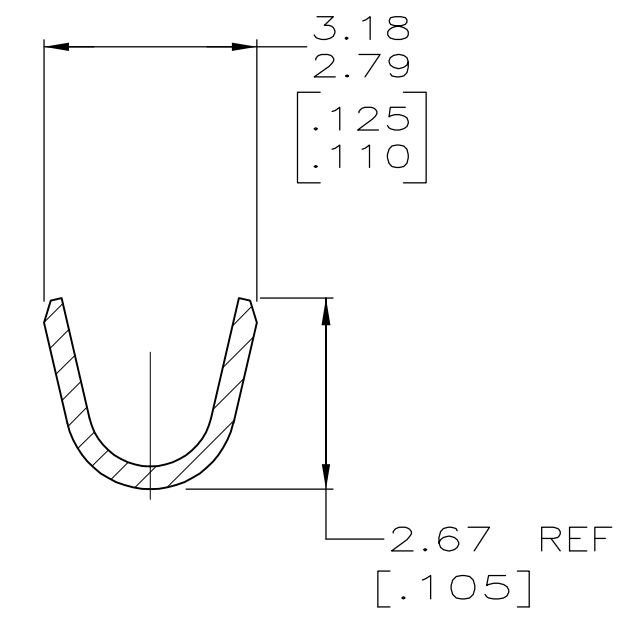
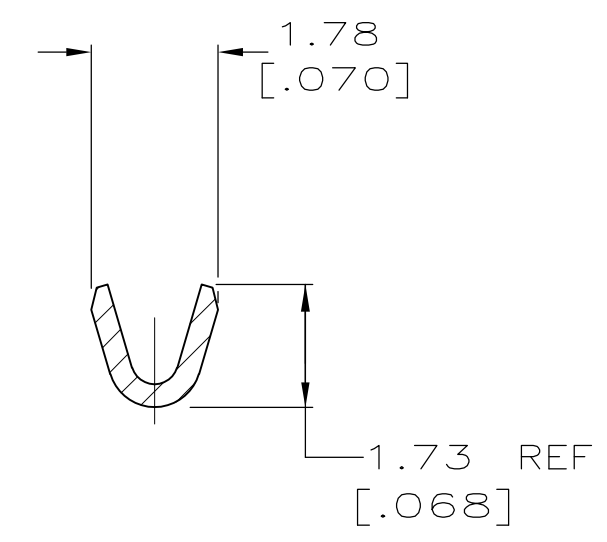
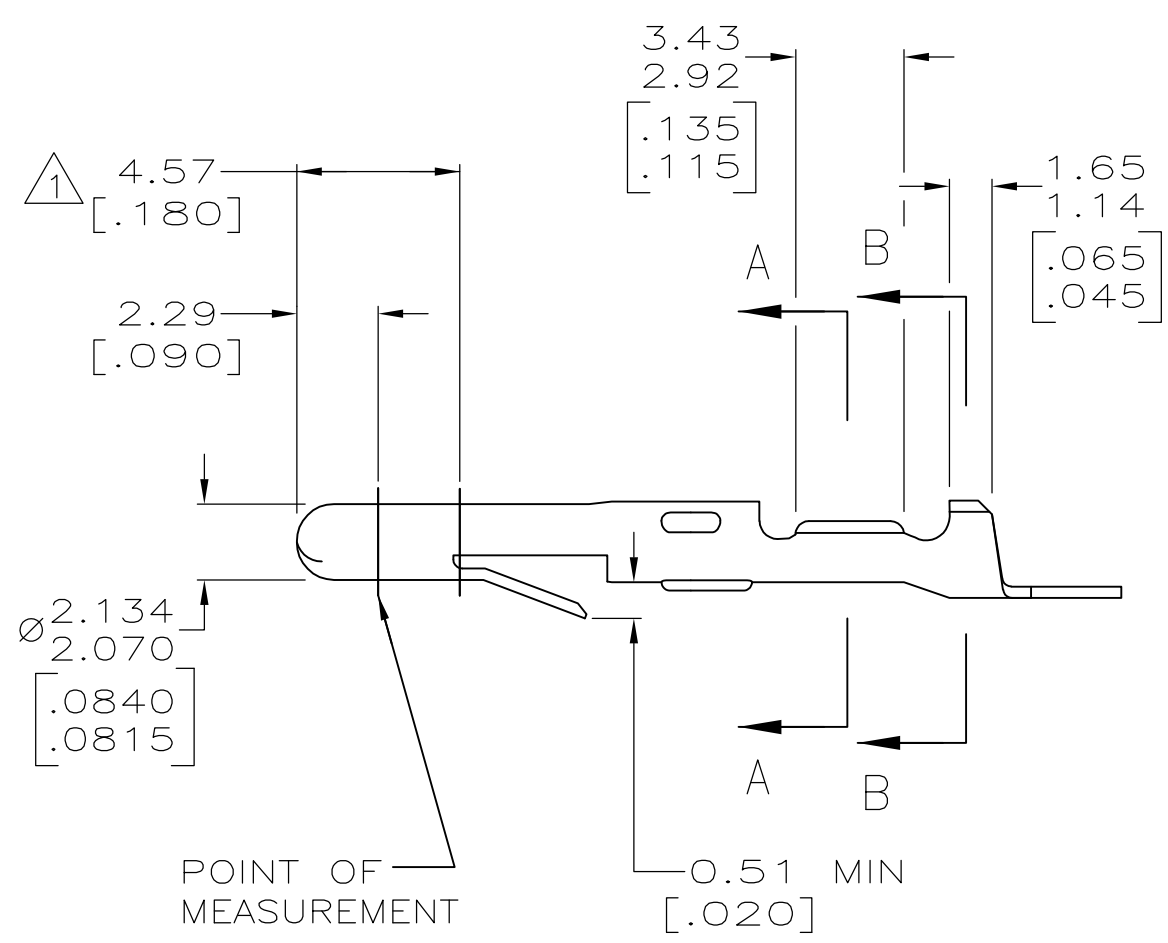
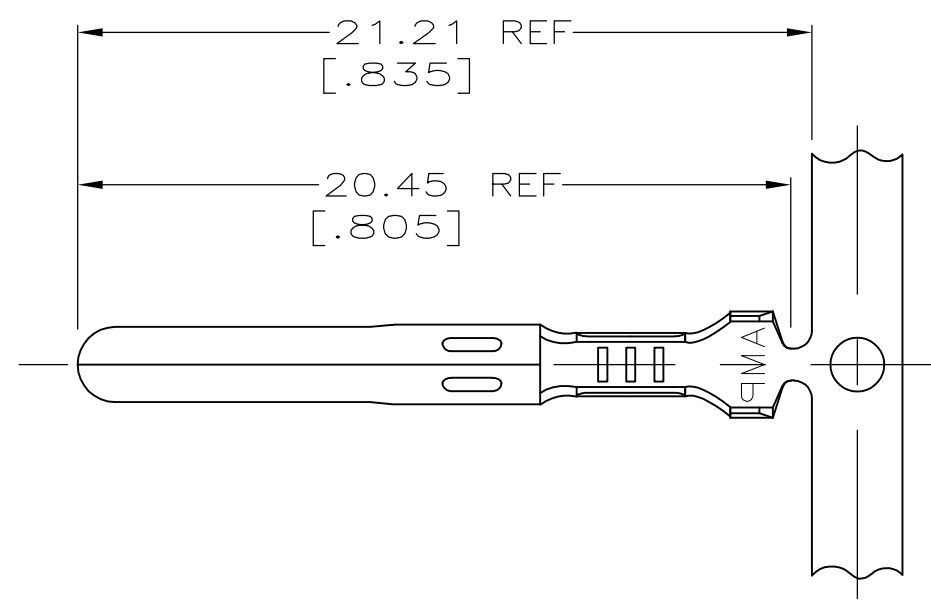


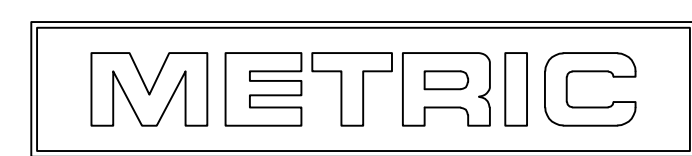
THIS DRAWING IS UNPUBLISHED. RELEASED FOR PUBLICATION  
 © COPYRIGHT - By - ALL RIGHTS RESERVED.

LOC	DIST	REVISIONS			
P	LTR	DESCRIPTION	DATE	OWN	APVD
CM	53	U2	REVISED PER ECR 12-013810	24SEPT12	JR TM

1. PLATE OVERALL WITH 0.00127 [.000050] MIN NICKEL, THEN PLATE INSIDE OF WIRE BARREL AND ON TIP OF PIN WITH 0.00076 [.000030] MIN GOLD.
2. WIRE RANGE: 0.05 - 0.4 mm<sup>2</sup> [30 - 22 AWG].
3. INSULATION RANGE: 1.02-1.91 [.040-.075] DIA.
4. DIMENSIONS IN BRACKETS ARE IN INCHES.



FINISH	MATERIAL	PART NO
1	0.30 [.012] BRASS	350079-5
PRE-TIN	0.30 [.012] PH BRZ	350079-4
PRE-TIN	0.30 [.012] BRASS	350079-1



THIS DRAWING IS A CONTROLLED DOCUMENT FOR AMP INCORPORATED. IT IS SUBJECT TO CHANGE AND THE CONTROLLING ENGINEERING ORGANIZATION SHOULD BE CONTACTED FOR THE LATEST REVISION.

THIS DRAWING IS A CONTROLLED DOCUMENT.		DWN K. SALMON 2-15-93	<b>STE</b> TE Connectivity	
DIMENSIONS: mm[INCHES]		CHK R. SWING 2-15-93		
TOLERANCES UNLESS OTHERWISE SPECIFIED:		APVD C. MARTIN 2-22-93	NAME PIN, MATE-N-LOK™	
0 PLC ± -	1 PLC ± -	PRODUCT SPEC	-	
2 PLC ± 0.25 [.010]	3 PLC ± -	APPLICATION SPEC	-	
4 PLC ± -	ANGLES ± ± -	FINISH	-	
MATERIAL SEE TABLE	FINISH SEE TABLE	WEIGHT -	SIZE A2	CAGE CODE 00779
CUSTOMER DRAWING			DRAWING NO G-350079	RESTRICTED TO -
			SCALE 5:1	SHEET 1 OF 1
			REV U2	

单击下面可查看定价，库存，交付和生命周期等信息

[>>TE Connectivity\(泰科\)](#)