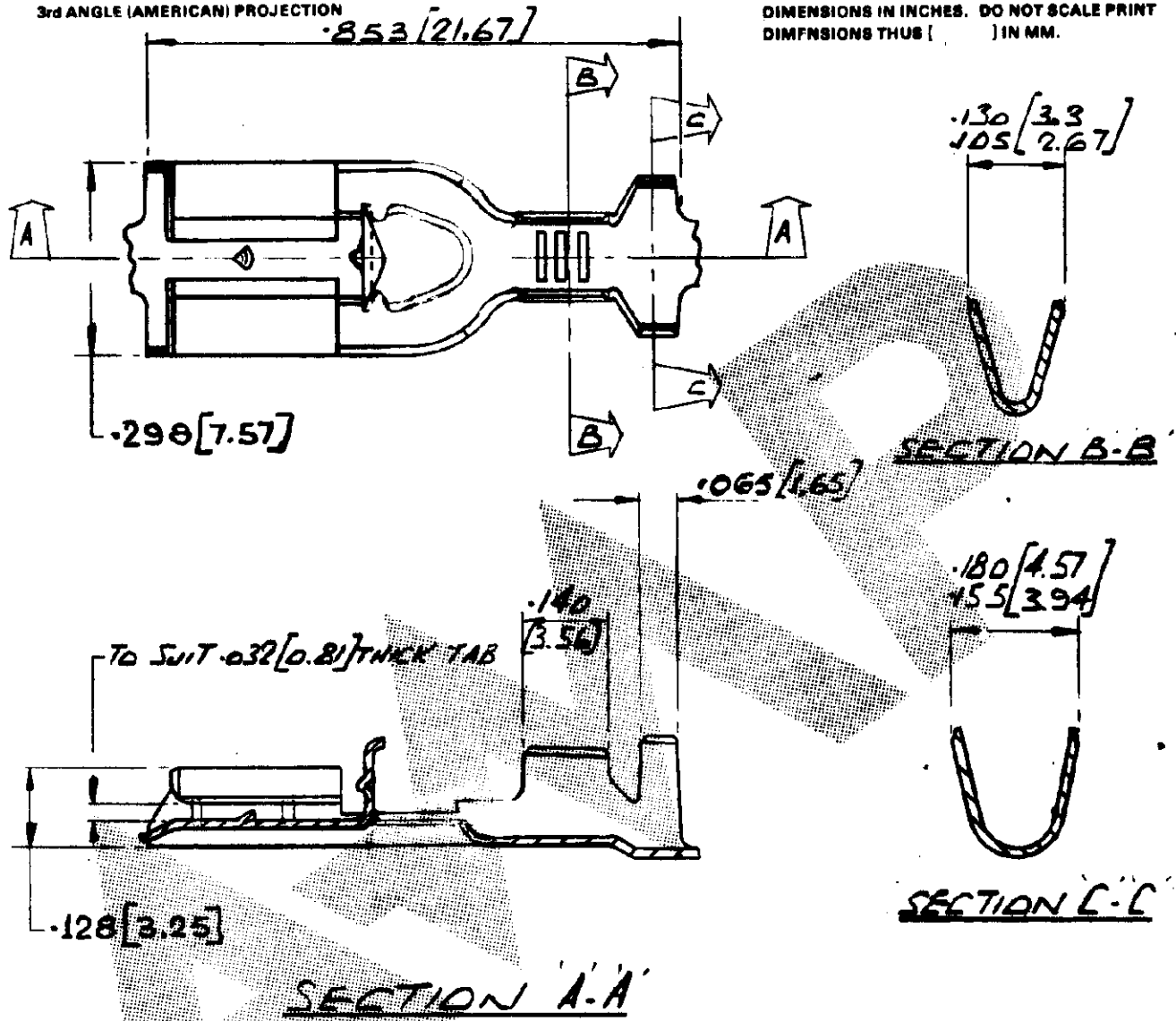


NUMBER C-341299

3rd ANGLE (AMERICAN) PROJECTION

DIMENSIONS IN INCHES. DO NOT SCALE PRINT DIMENSIONS THUS [] IN MM.



WAS PTD-13123
AUSTRALIAN
PROD ONLY

LOOSE PIECE PART NO.	PART NO.	MATERIAL	FINISH
341412-5	341299-5	NICKEL SILVER	
341412-4	341299-4	PHOSPHOR BRONZE	PRE-TIN
341412-3	341299-3	PHOSPHOR BRONZE	
341412-2	341299-2	BRASS	PRE-TIN
341412-1	341299-1	BRASS	

E	341299-3 OBSOLETE	ABH	5085	25	9/80
D	-5 MAT. NICKEL SILVER ADDED	DET	ATT39-1087		
C	-5 MATERIAL NICKEL SILVER DELETED	A.H.	-	6-4-80	
B	REVISED	KS	-	2/7/81	
A	PIP ON RELEASE ARM ADDED	KS	-	7/1/80	
O	RELEASE FOR PRODUCTION	KS	-	7/1/79	
ISS	REVISION RECORD	DR	CHK	DATE	
DR	C.E. SLOUGH 12.6.78	DE		5.7.78	
CHK	X 5.7.78	APP			

© AMP of GREAT BRITAIN LTD 1978

CUSTOMER COPY REFERENCE ONLY

MATERIAL AND FINISH SEE TABLE.

AMP of Great Britain Ltd. TERMINAL HOUSE, STANMORE, MIDD.

CLASS

WIRE RANGE	INSULATION	TYPE
0.5mm ² - 1.5mm ²	2.0mm - 2.9mm	

TOLERANCE EXCEPT AS NOTED ±.015 [0.38] ±1°

SCALE 4:1

LOC E NO A C-341299

NAME POSITIVE LOCK RECEPTACLE MK II (250)

单击下面可查看定价，库存，交付和生命周期等信息

[>>TE Connectivity\(泰科\)](#)