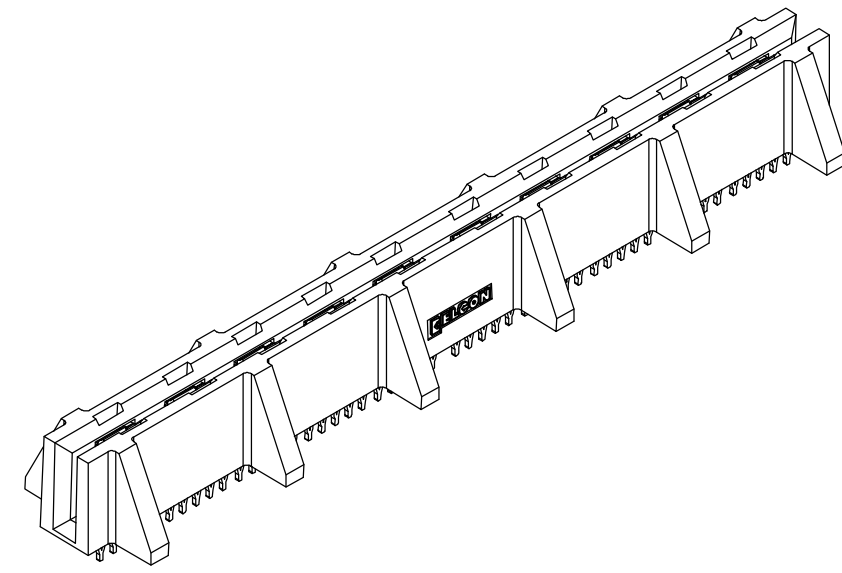


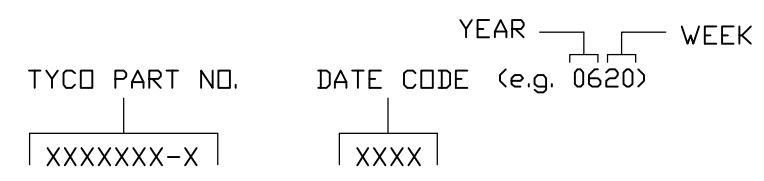
THIS DRAWING IS UNPUBLISHED. RELEASED FOR PUBLICATION
 © COPYRIGHT - BY TYCO ELECTRONICS CORPORATION. ALL RIGHTS RESERVED.

| LOC | DIST | REVISIONS | | | | | |
|-----|------|-----------|-----|-------------|---------|-----|------|
| GP | 00 | P | LTR | DESCRIPTION | DATE | DWN | APVD |
| | | A | | RELEASED | 20APR06 | RG | SF |



NOTES: UNLESS OTHERWISE SPECIFIED;

- PART NUMBER CHANGES AND OR DESIGN CHANGES AFFECTING ITEM INTERCHANGEABILITY REQUIRE PRIOR TYCO APPROVAL AND AUTHORIZATION BY REVISION TO THIS DRAWING.
- MATERIALS:
 INSULATORS: THERMOPLASTIC, GLASS REINFORCED, COLOR-BLACK, UL94V-0 FLAMMABILITY RATED.
 POWER CONTACTS: PHOSPHOR-BRONZE ALLOY, COPPER ALLOY.
 CROWN BANDS: BERYLLIUM-COPPER ALLOY.
- FINISHES:
 CONTACTS: GOLD PLATE .000030" MIN. THK, OVER NICKEL .000040" MIN. THICKNESS.
 TERMINALS: TIN PLATE, MATTE FINISH 000100" MIN. THICKNESS.
- SOCKET CONNECTORS ACCEPT 1.60 [.062"] ±10% THK PC BOARD.
- ITEMS PROVIDED TO THIS SPECIFICATION TO BE PERMANENTLY IDENTIFIED PER THE FOLLOWING IDENTIFIER.



△ POSITION P9 IS UNPOPULATED.

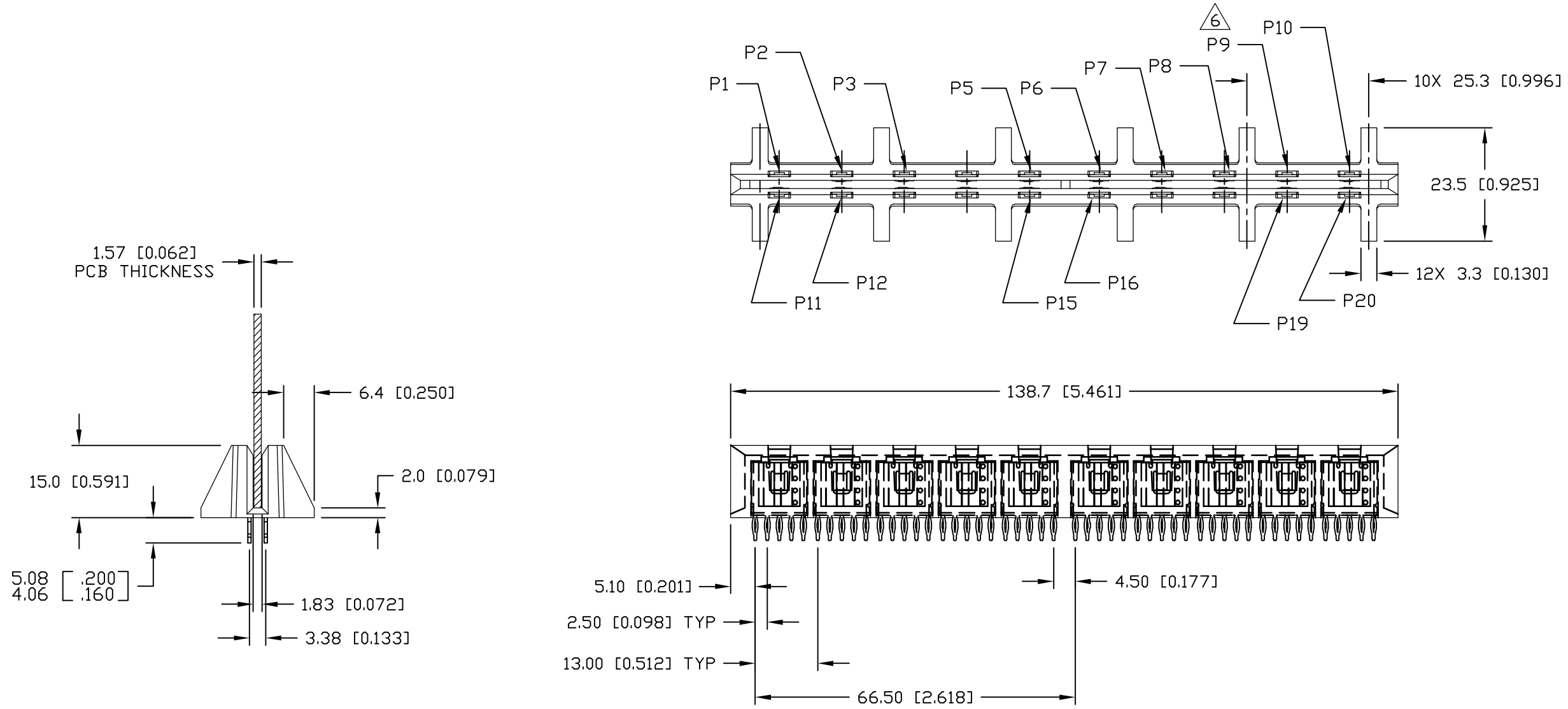
1926135-1
PART NUMBER

| | | | | |
|---|--|---------------------------|---|---------------|
| THIS DRAWING IS A CONTROLLED DOCUMENT. | | DWN R.GRZYBOWSKI 20APR06 | Tyco Electronics Corporation Harrisburg, PA 17105-3608 | |
| DIMENSIONS: mm | | CHK S.FLICKINGER 20APR06 | | |
| TOLERANCES UNLESS OTHERWISE SPECIFIED: | | APVD S.FLICKINGER 20APR06 | NAME | |
| 0 PLC ± - 1 PLC ± .5 [.020] 2 PLC ± .25 [.010] 3 PLC ± - 4 PLC ± - ANGLES ± .5 | | PRODUCT SPEC | CONNECTOR, SOCKET SIDE ENTRY CROWN EDGE | |
| MATERIAL | | APPLICATION SPEC | SIZE | CAGE CODE |
| FINISH | | WEIGHT | A3 | 00779 |
| | | CUSTOMER DRAWING | DRAWING NO | RESTRICTED TO |
| | | | C-1926135 | - |
| | | | SCALE 1:1 | SHEET 1 OF 3 |
| | | | | REV A |

ELCON CROWN EDGE

THIS DRAWING IS UNPUBLISHED. RELEASED FOR PUBLICATION
 © COPYRIGHT BY TYCO ELECTRONICS CORPORATION. ALL RIGHTS RESERVED.

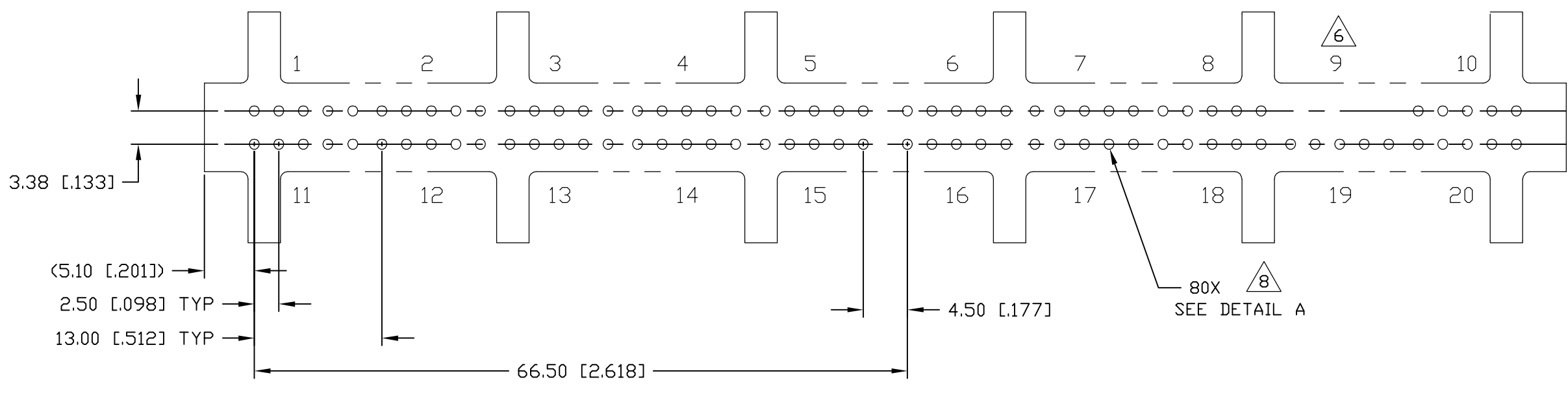
| | | | | | | | |
|-----|------|-----------|-----|-------------|------|-----|------|
| LOC | DIST | REVISIONS | | | | | |
| GP | 00 | P | LTR | DESCRIPTION | DATE | DWN | APVD |
| | | | | SEE SHEET 1 | | | |



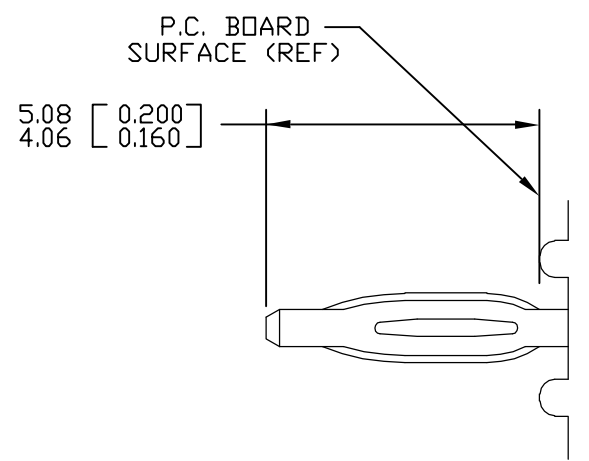
| | | | | | |
|--|--|------------------|--------------|-------------------|---|
| THIS DRAWING IS A CONTROLLED DOCUMENT. | | DWN | R.GRZYBOWSKI | 20APR06 | Tyco Electronics Corporation Harrisburg, PA 17105-3608 |
| DIMENSIONS: mm | | CHK | S.FLICKINGER | 20APR06 | |
| | | APVD | S.FLICKINGER | 20APR06 | |
| TOLERANCES UNLESS OTHERWISE SPECIFIED: | | NAME | | CONNECTOR, SOCKET | |
| 0 PLC ± - | | PRODUCT SPEC | | SIDE ENTRY | |
| 1 PLC ± .5 [.020] | | APPLICATION SPEC | | CROWN EDGE | |
| 2 PLC ± .25 [.010] | | SIZE | A3 | CAGE CODE | 00779 |
| 3 PLC ± - | | DRAWING NO | G=1926135 | | RESTRICTED TO |
| 4 PLC ± - | | WEIGHT | | - | |
| ANGLES ± .5 | | CUSTOMER DRAWING | | SCALE | 1:1 |
| FINISH | | - | | SHEET | 2 OF 3 |
| MATERIAL | | - | | REV | A |

THIS DRAWING IS UNPUBLISHED. RELEASED FOR PUBLICATION
 © COPYRIGHT - BY TYCO ELECTRONICS CORPORATION. ALL RIGHTS RESERVED.

| | | | | | | | |
|-----|------|-----------|-----|-------------|------|-----|------|
| LOC | DIST | REVISIONS | | | | | |
| GP | 00 | P | LTR | DESCRIPTION | DATE | DWN | APVD |
| | | - | | SEE SHEET 1 | - | - | - |



SUGGESTED PCB LAYOUT
 SCALE 2=1



7. COMPLIANT PIN DETAIL
 INSERTION/EXTRACTION FORCES
 MAXIMUM PUSH-IN: 133.3N PER PIN
 [30 LBS]
 MINIMUM PUSH-OUT: 44.4N PER PIN
 [10 LBS]

8 DETAIL A

SOLDER TERMINATION AREA
 RECOMMENDED PRINTED CIRCUIT HOLE
 DRILLED HOLE: $\phi 1.15$ [0.0453] ± 0.13 [0.005]
 COPPER PLATE: .025 [0.0010] - .050 [0.0020] (PER SURFACE)
 TIN PLATE: .0005 [0.00002] MINIMUM (PER SURFACE)

| | | | | | | | |
|---|--|------------------|--------------|---|---|------------|---------------|
| THIS DRAWING IS A CONTROLLED DOCUMENT. | | DWN | R.GRZYBOWSKI | 20APR06 | Tyco Electronics Corporation Harrisburg, PA 17105-3608 | | |
| DIMENSIONS: mm | | CHK | S.FLICKINGER | 20APR06 | | | |
| TOLERANCES UNLESS OTHERWISE SPECIFIED: | | APVD | S.FLICKINGER | 20APR06 | NAME | | |
| 0 PLC $\pm -$ 1 PLC $\pm .5$ [.020] 2 PLC $\pm .25$ [.010] 3 PLC $\pm -$ 4 PLC $\pm -$ ANGLES $\pm .5$ | | PRODUCT SPEC | | CONNECTOR, SOCKET SIDE ENTRY CROWN EDGE | | | |
| MATERIAL | | APPLICATION SPEC | | SIZE | | | RESTRICTED TO |
| FINISH | | WEIGHT | | CAGE CODE | | DRAWING NO | |
| - | | - | | A3 00779 | | C=1926135 | |
| CUSTOMER DRAWING | | | | SCALE | 1:1 | SHEET | 3 OF 3 |
| | | | | REV | A | | |

单击下面可查看定价，库存，交付和生命周期等信息

[>>TE Connectivity\(泰科\)](#)