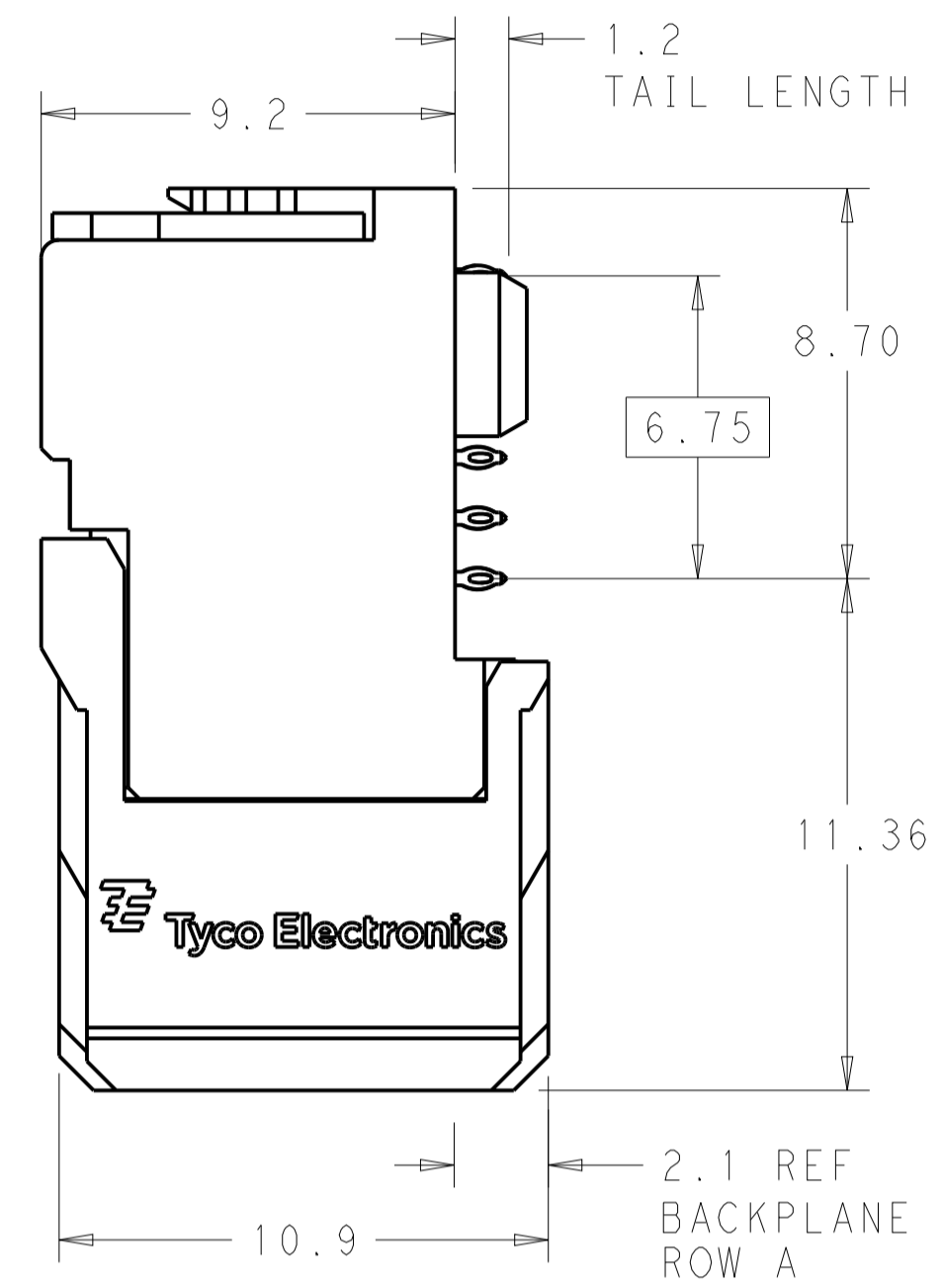
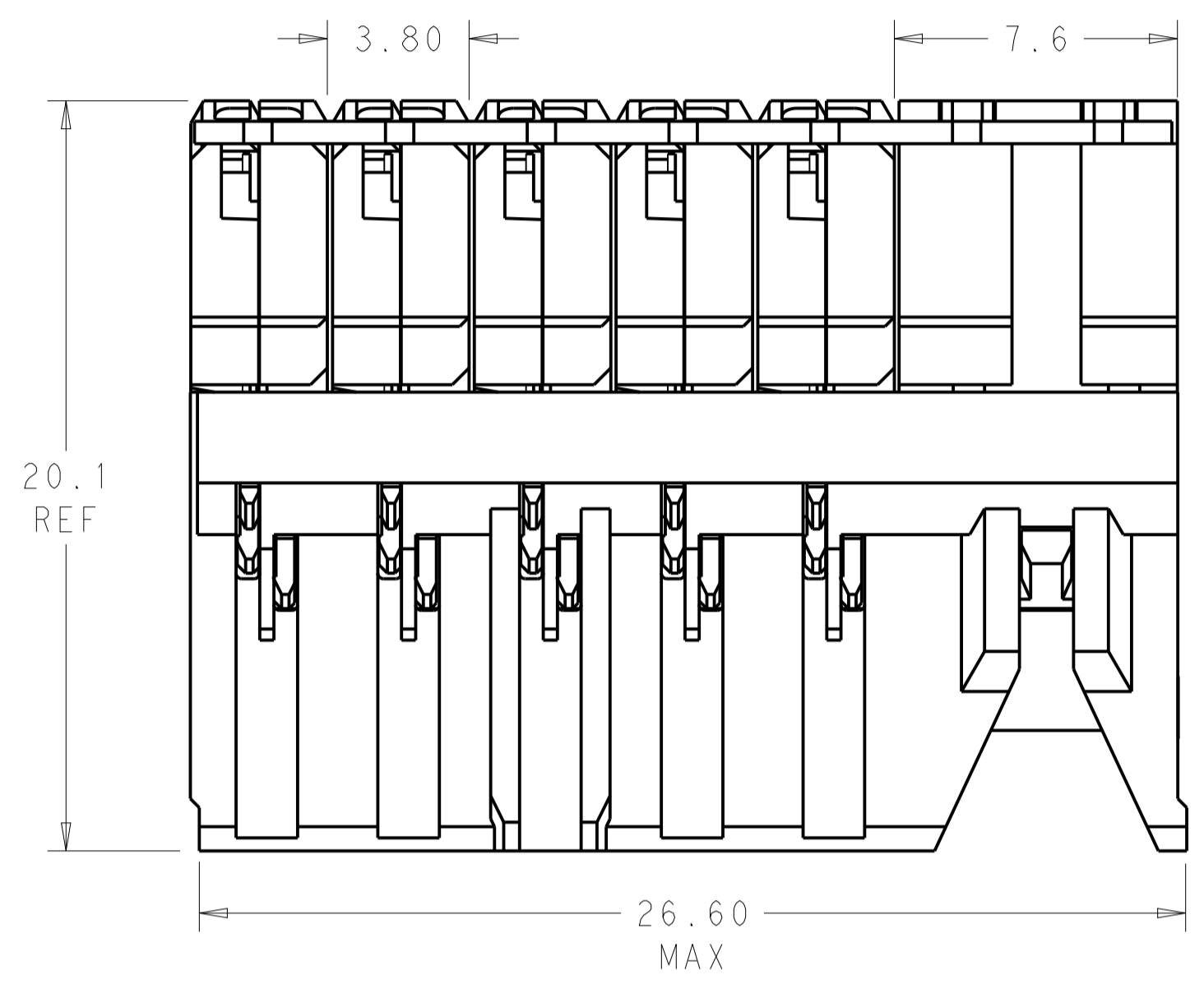
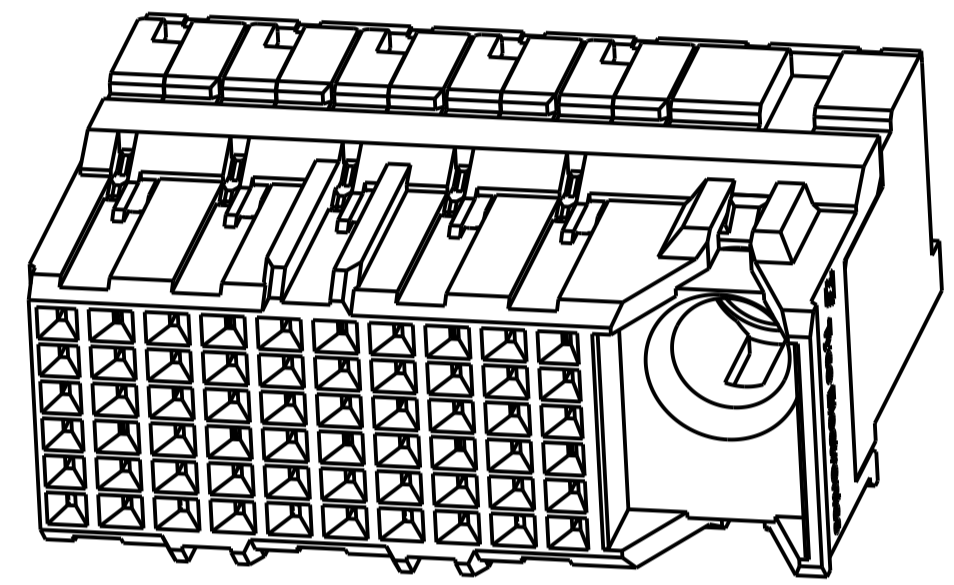


REVISIONS				
P.	LTN	DESCRIPTION	DATE	APVD
C1		REVISED PER ECO-14-017984	02DEC2014	AP DD

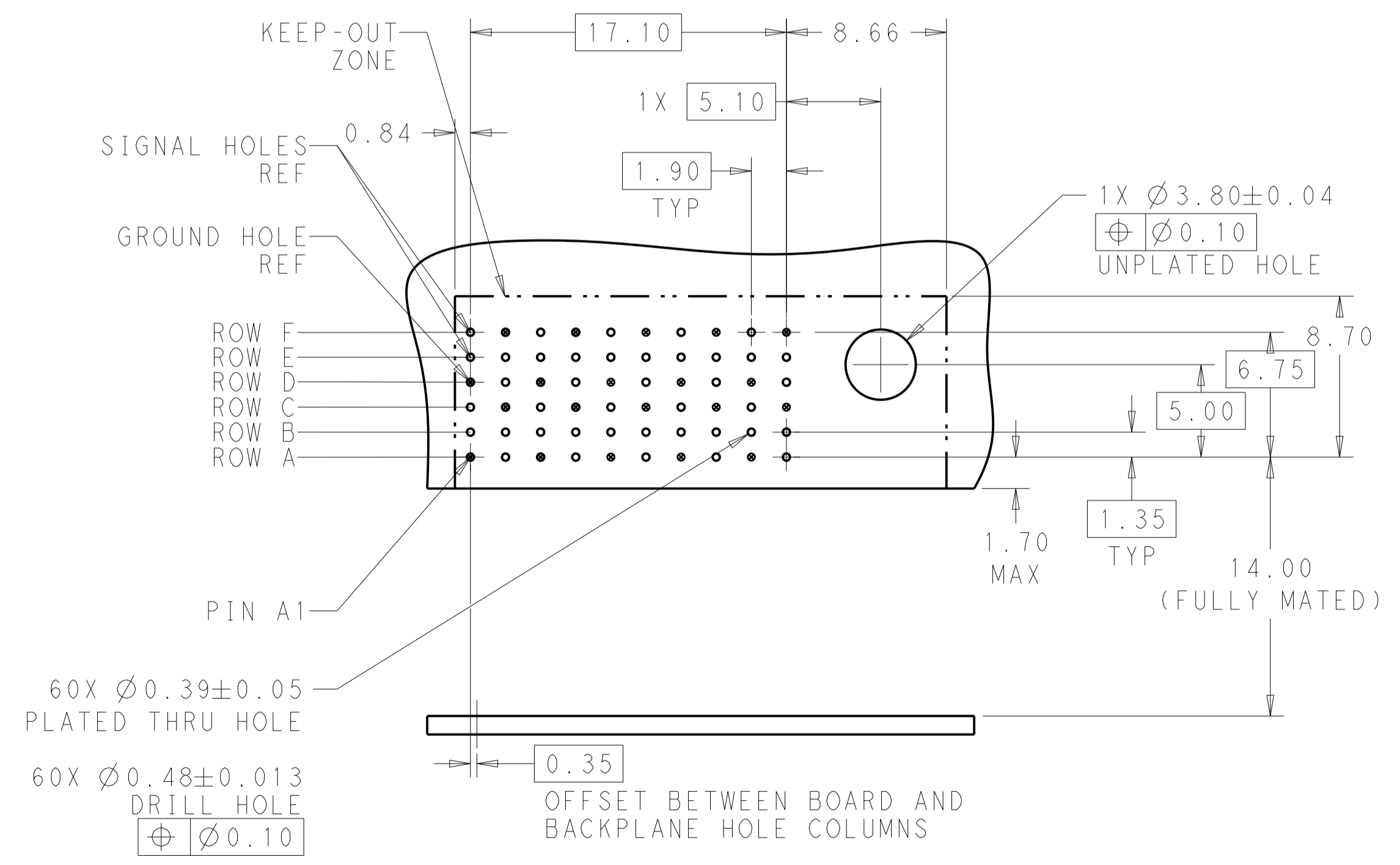
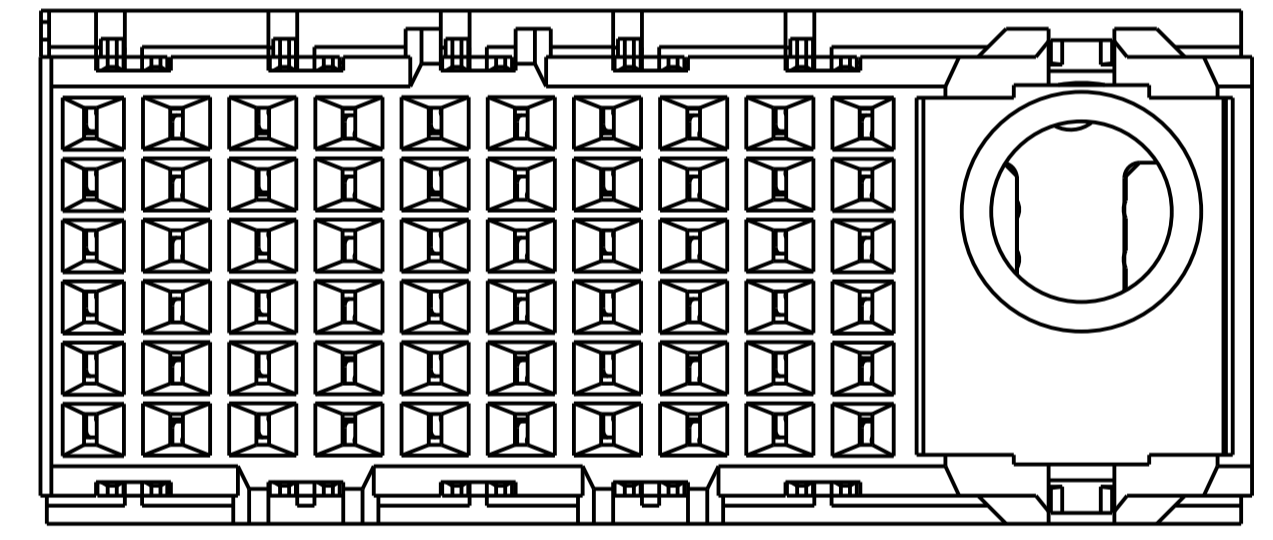


- ⚠ MATERIAL:
HOUSING: LCP, GLASS FILLED, UL94V-0.
TERMINALS: HIGH PERFORMANCE COPPER ALLOY.
- ⚠ FINISH:
30μ" SELECTIVE GOLD IN CONTACT AREA. SELECTIVE TIN ON PCB TAILS, NICKEL OVERALL.
- 3. CONNECTORS SUPPLIED WITH MOUNTING SCREWS.



SCALE 4:1

REFER TO WWW.TE.COM FOR PRODUCT AVAILABILITY



RECOMMENDED PCB LAYOUT
MIN BOARD THICKNESS 1.6

NONE	⚠	2057404-1
KEY POSITION	FINISH	PART NUMBER

THIS DRAWING IS A CONTROLLED DOCUMENT.		OWN: Z. MILLER 19AUG2010	TE Connectivity	
DIMENSIONS: mm		CHK: D. DIXON 19AUG2010	NAME: IMPACT, STD, R/A, 2 PAIR, 10 COLUMN DAUGHTERCARD, RIGHT GUIDED SIGNAL MODULE, 0.39 EYELET	
TOLERANCES UNLESS OTHERWISE SPECIFIED:		APVD: D. DIXON 19AUG2010	PRODUCT SPEC	
0 PLC ±0.2		APPLICATION SPEC		
1 PLC ±0.10		SIZE: CAGE CODE DRAWING NO		
2 PLC ±		RESTRICTED TO		
3 PLC ±		A100779C=2057404		
4 PLC ±		Customer Drawing		
ANGLES ±		SCALE 6:1 SHEET 1 OF 1 REV C1		
FINISH SEE TABLE		WEIGHT		

单击下面可查看定价，库存，交付和生命周期等信息

[>>TE Connectivity\(泰科\)](#)