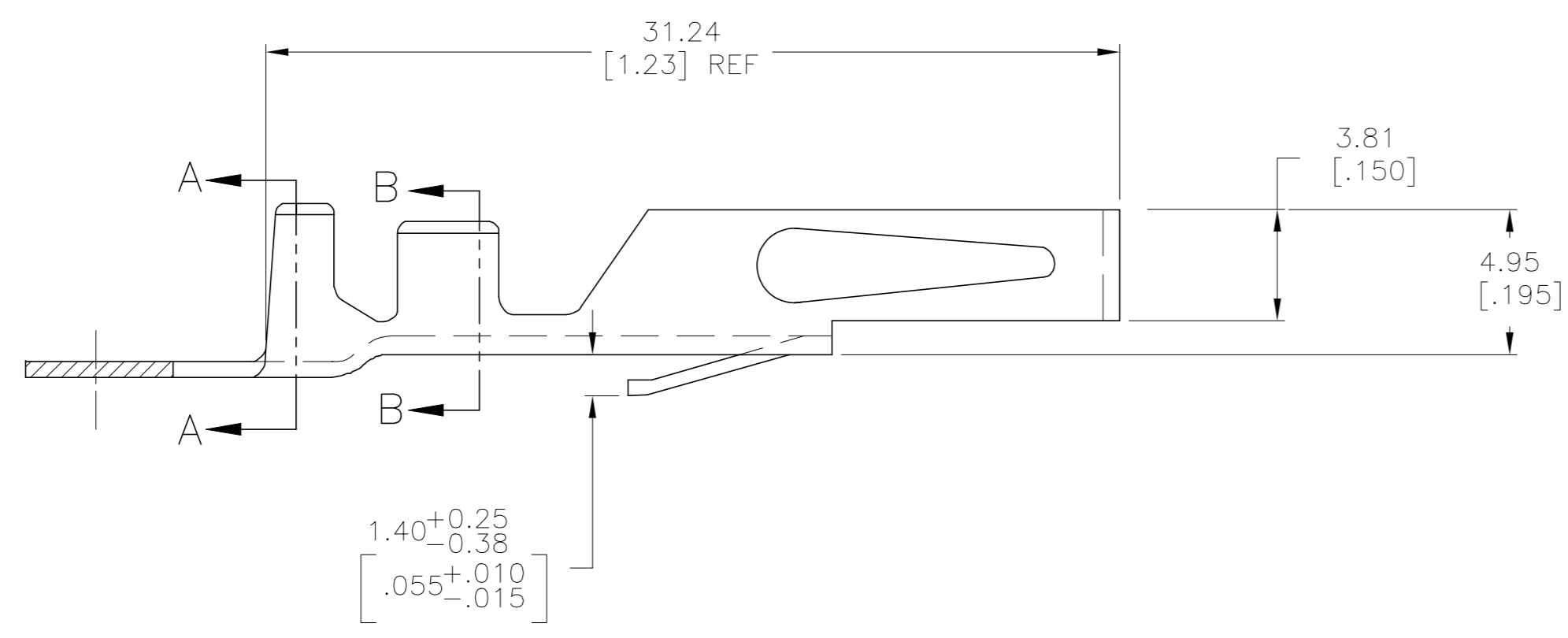
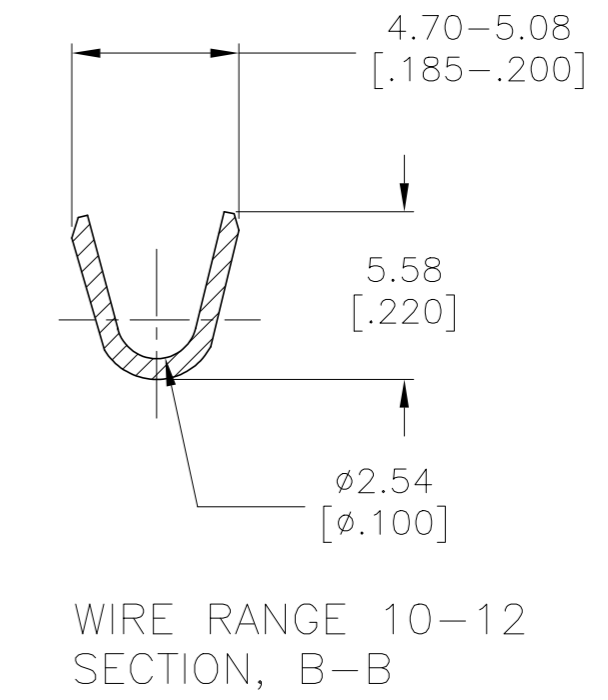
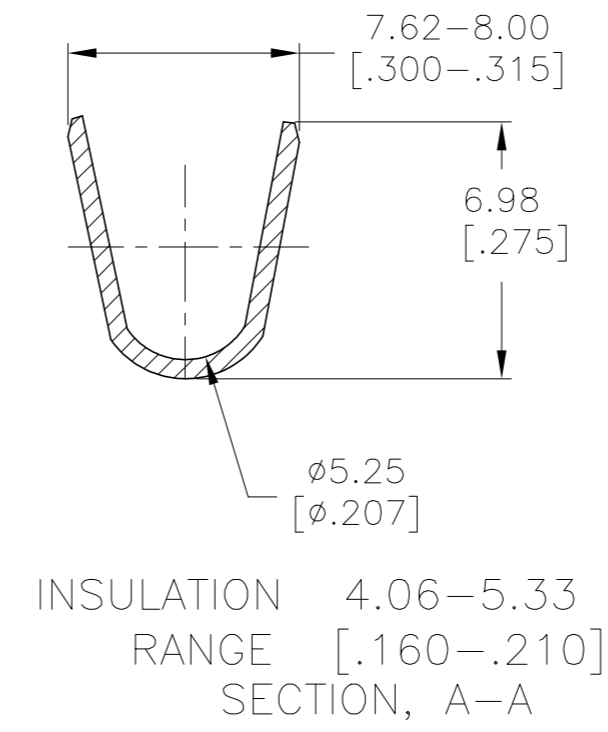
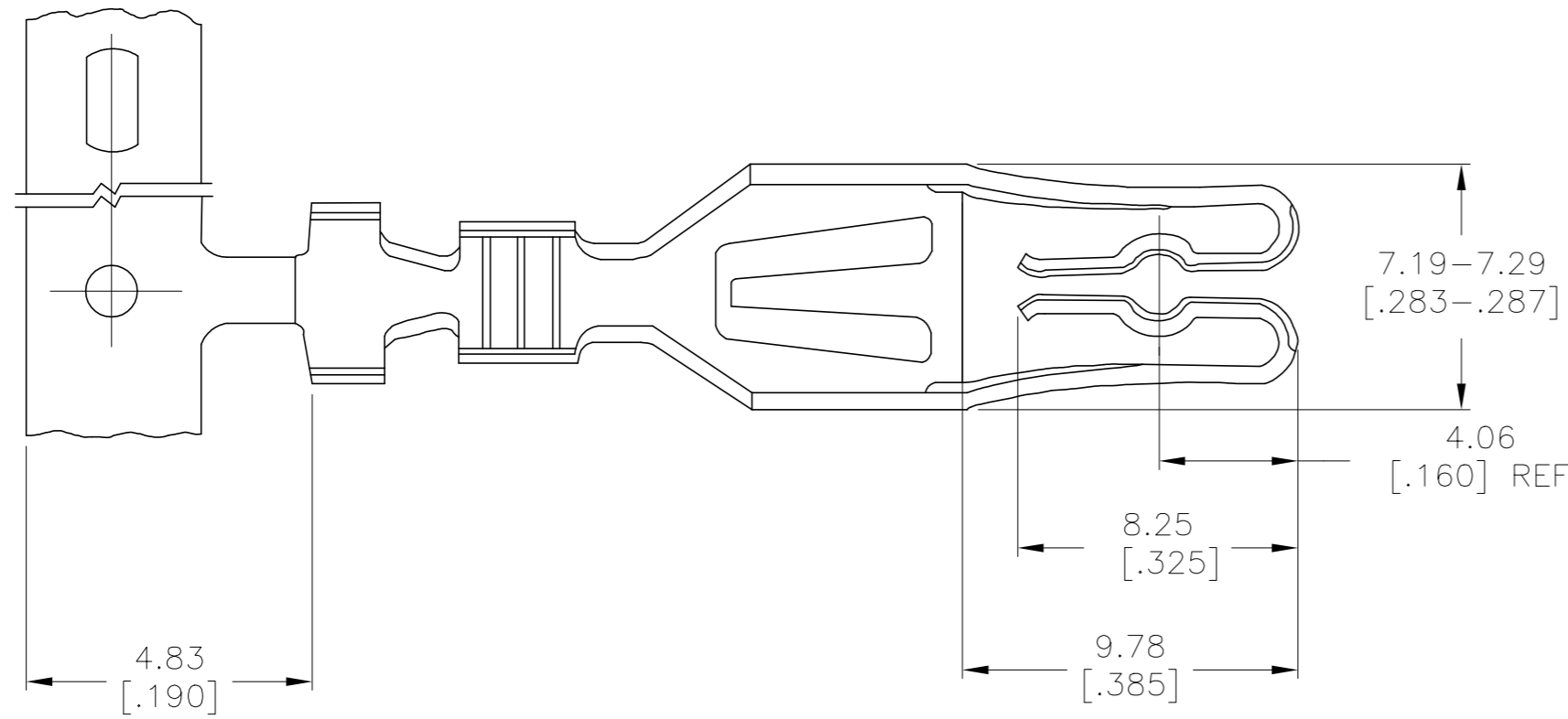


THIS DRAWING IS UNPUBLISHED. RELEASED FOR PUBLICATION
 © COPYRIGHT - By - ALL RIGHTS RESERVED.

REVISIONS					
P	LTR	DESCRIPTION	DATE	DWN	APVD
	J1	REVISED PER ECO-19-019022	19DEC2019	RS	JO



- △1 0.0038 (.000150) MIN BRIGHT TIN-LEAD OVER 0.00076 (.000030) MIN NICKEL.
- △2 SILVER PLATE 0.0038[.000150] MIN THK ALL OVER.
- △3 0.0038 (.000150) MIN MATTE TIN OVER 0.00076 (.000030) MIN NICKEL.

△3	5-530519-2
△2	530519-3
△1	530519-2
FINISH	PART NO

THIS DRAWING IS A CONTROLLED DOCUMENT.		DWN	15 MAY 75	TE TE Connectivity	
		CHK	15 MAY 75		
DIMENSIONS: mm [INCHES]		APVD	16 MAY 75	NAME	
		TOLERANCES UNLESS OTHERWISE SPECIFIED:		PRODUCT SPEC	
		0 PLC ± -		-	
		1 PLC ± -		-	
		2 PLC ± -		-	
3 PLC ± .005		APPLICATION SPEC		-	
4 PLC ± -		-		-	
ANGLES ± -		-		-	
MATERIAL		WEIGHT	0	SIZE	A2
ALLOY CDA-194		FINISH		CAGE CODE	00779
		FINISH		DRAWING NO	530519
		CUSTOMER DRAWING		RESTRICTED TO	-
				SCALE	5:1
				SHEET	1 of 1
				REV	J1

单击下面可查看定价，库存，交付和生命周期等信息

[>>TE Connectivity\(泰科\)](#)