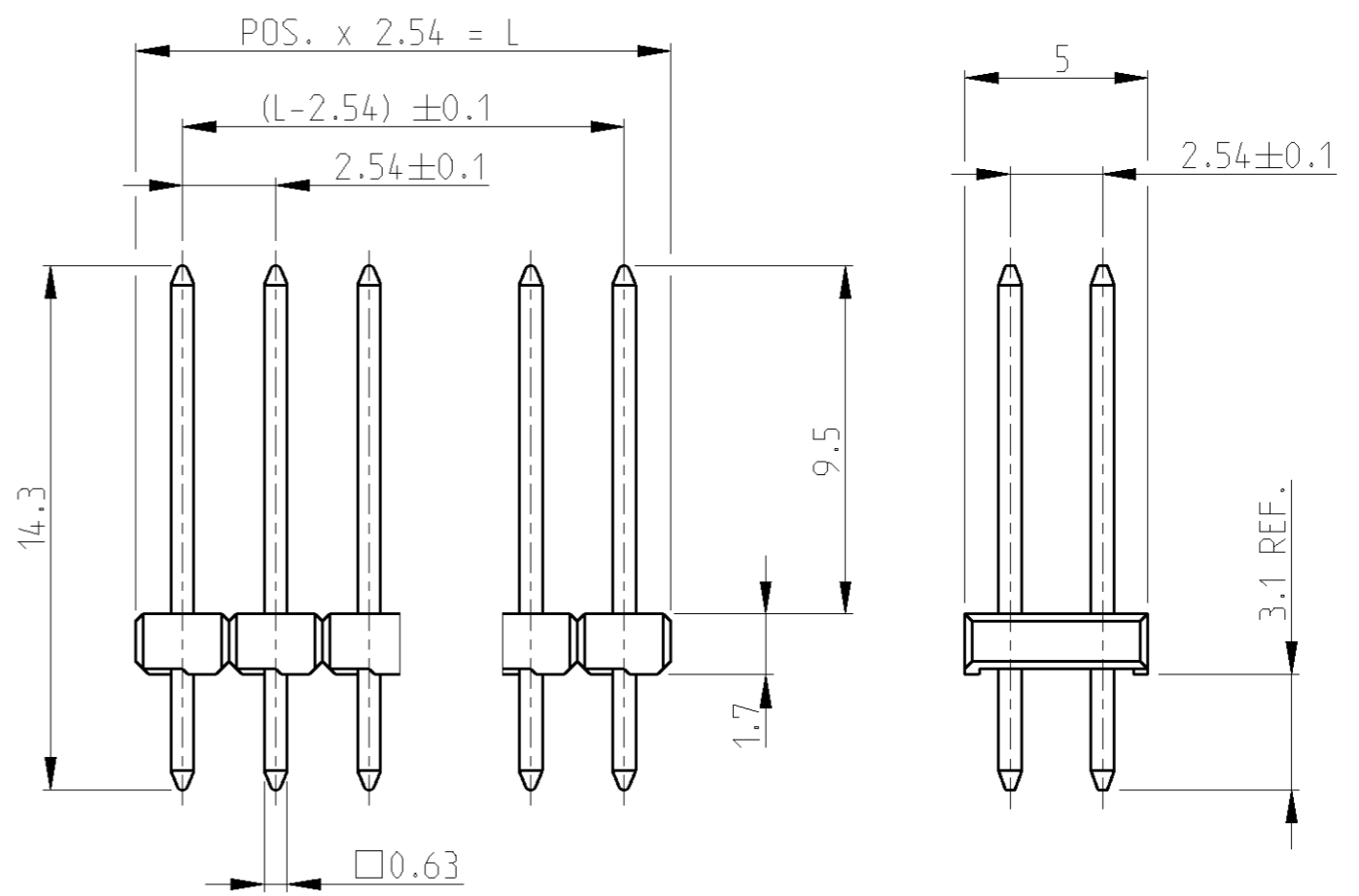


THIS DRAWING IS UNCLASSIFIED
 RELEASED FOR PUBLICATION 2005
 © COPYRIGHT 2005 BY TYCO ELECTRONICS CORPORATION. ALL RIGHTS RESERVED.

LOC	DIST	REVISIONS			
P	LTR	DESCRIPTION	DATE	DWN	APVD
A1	-	WAS EGGJN05069-0001	07FEB2006	ACK	MS

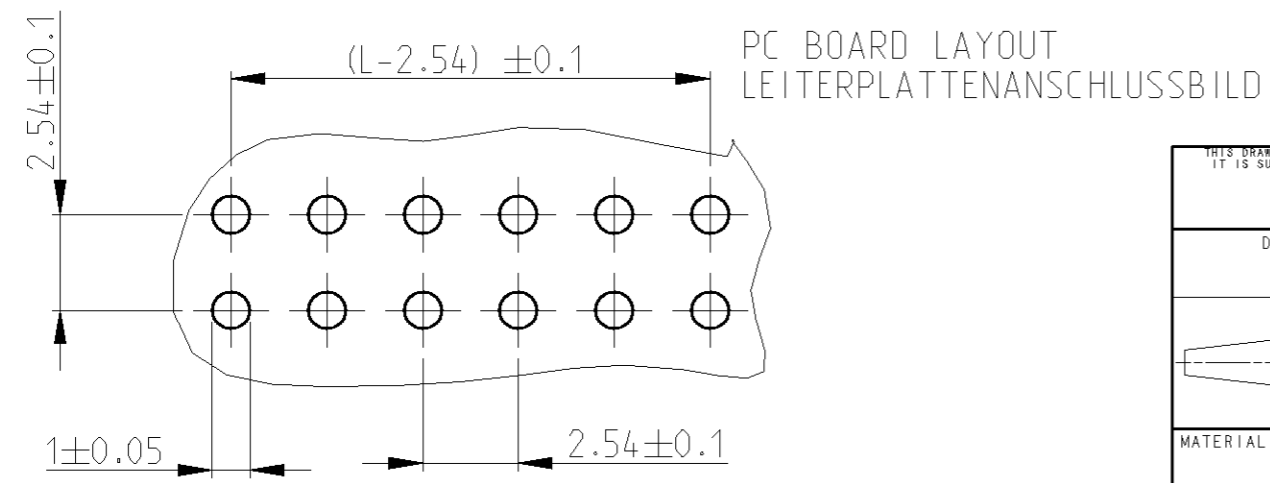
POS. PER ROW	L ±0.5	PART - NO.	POS. PER ROW	L ±0.5	PART - NO.
-	-		26	66.04	
2	5.08		27	68.58	
3	7.62		28	71.12	
4	10.16		29	73.66	
5	12.70		30	76.20	
6	15.24		31	78.74	
7	17.78		32	81.28	
8	20.32		33	83.82	
9	22.86		34	86.36	
10	25.40		35	88.90	
11	27.94		36	91.44	
12	30.48	1-1 740 556-2	37	93.98	
13	33.02		38	96.52	
14	35.56		39	99.06	
15	38.10		40	101.60	
16	40.64		41	104.14	
17	43.18		42	106.68	
18	45.72		43	109.22	
19	48.26		44	111.76	
20	50.80		45	114.30	
21	53.34		46	116.84	
22	55.88		47	119.38	
23	58.42		48	121.92	
24	60.96		49	124.46	
25	63.50		50	127.00	



△ MATING AND SOLDER AREA
 3-5 μm TIN OVER 1.27 μm NICKEL

SUITABLE FOR WAVE SOLDERING 265 °C
 GEEIGNET FÜR WELLENLÖTEN 265 °C

△	Cu Sn	CONTACT PIN KONTAKTSTIFT
COLOUR BLACK	PCT GV	PINHOUSING STIFTGEHAEUSE
REMARK BEMERKUNG	MATERIAL	DESCRIPTION BEZEICHNUNG



THIS DRAWING IS A CONTROLLED DOCUMENT FOR TYCO ELECTRONICS CORPORATION
 IT IS SUBJECT TO CHANGE AND THE CONTROLLING ENGINEERING ORGANIZATION
 SHOULD BE CONTACTED FOR THE LATEST REVISION.

DIMENSIONS: mm	TOLERANCES UNLESS OTHERWISE SPECIFIED:	DWN 07SEP2005 G. ACKERMANN	tyco Electronics AMP GmbH D - 67346 Speyer
	0 PLC ±0.2 1 PLC ±0.2 2 PLC ±0.2 3 PLC ± 4 PLC ± ANGLES ±2°	CHK 07SEP2005 M. SCHAARSCHMIDT	
MATERIAL -	FINISH -	APVD - G. FELDMEIER	NAME AMPMODU II PINHEADER, DUAL ROW AMPMODU II STIFTLISTE, ZWEIREIHIG
		PRODUCT SPEC -	SIZE A3
		APPLICATION SPEC -	CAGE CODE 00779
		WEIGHT -	DRAWING NO C=1740556
			RESTRICTED TO -
		CUSTOMER DRAWING	SCALE 5:1
			SHEET 1 OF 1
			REV A1

单击下面可查看定价，库存，交付和生命周期等信息

[>>TE Connectivity\(泰科\)](#)