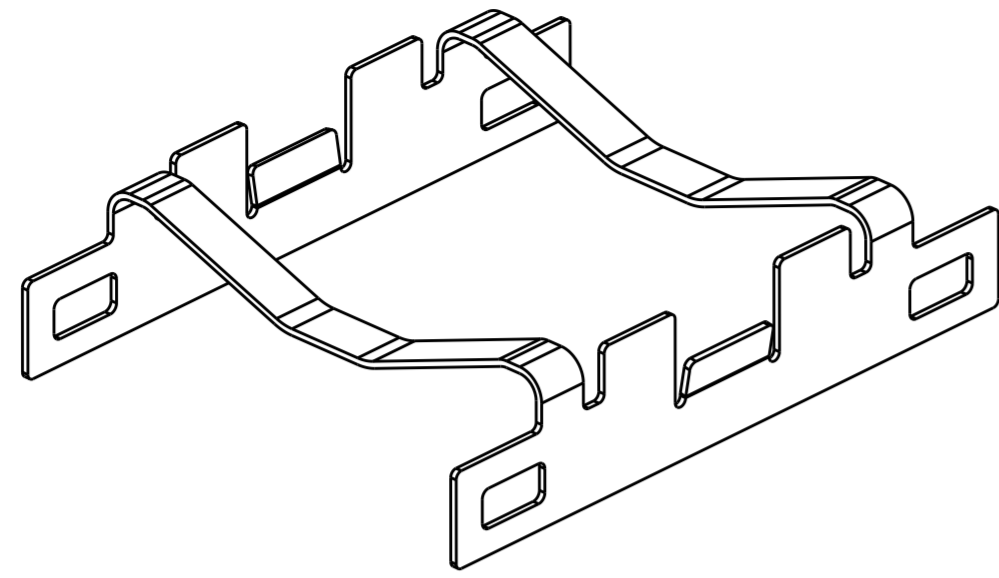
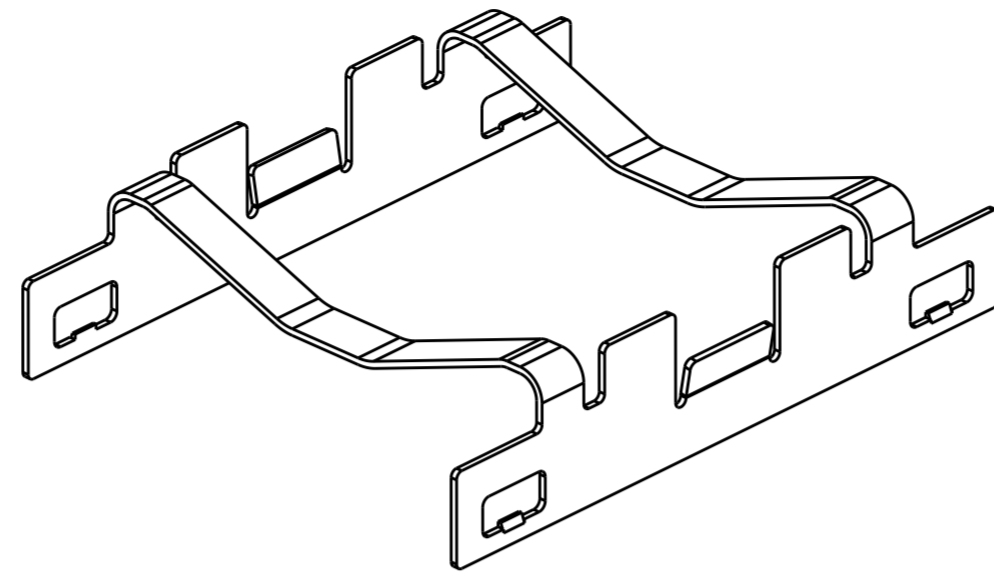


THIS DRAWING IS UNPUBLISHED. RELEASED FOR PUBLICATION 20
 © COPYRIGHT 20 BY - ALL RIGHTS RESERVED.

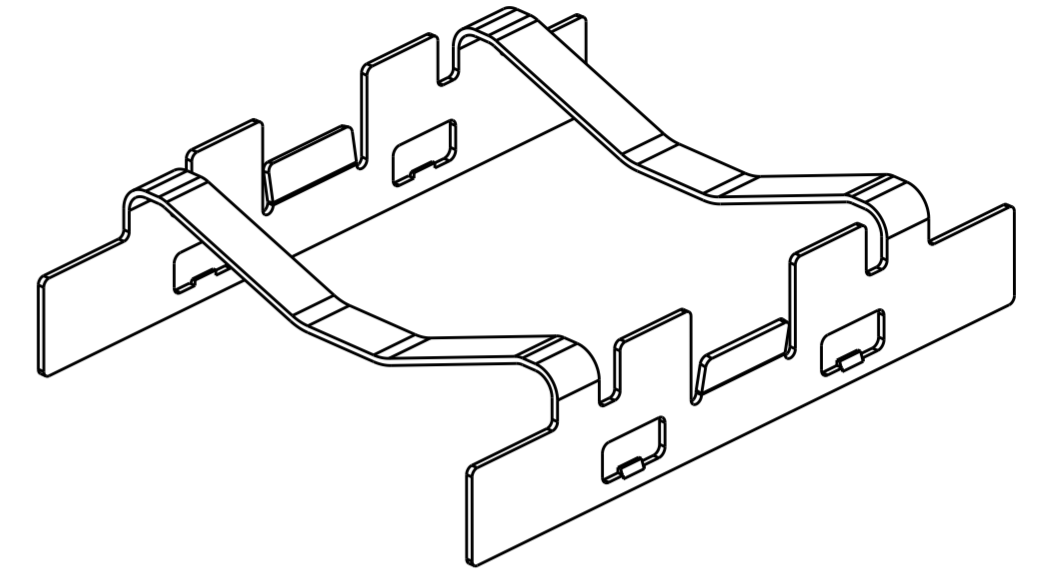
REVISIONS					
P	LTR	DESCRIPTION	DATE	DWN	APVD
B		REVISED PER ECO-14-016404	3NOV2014	JY	-
C		REVISED PER ECO-17-011427	07AUG2017	TX	SH



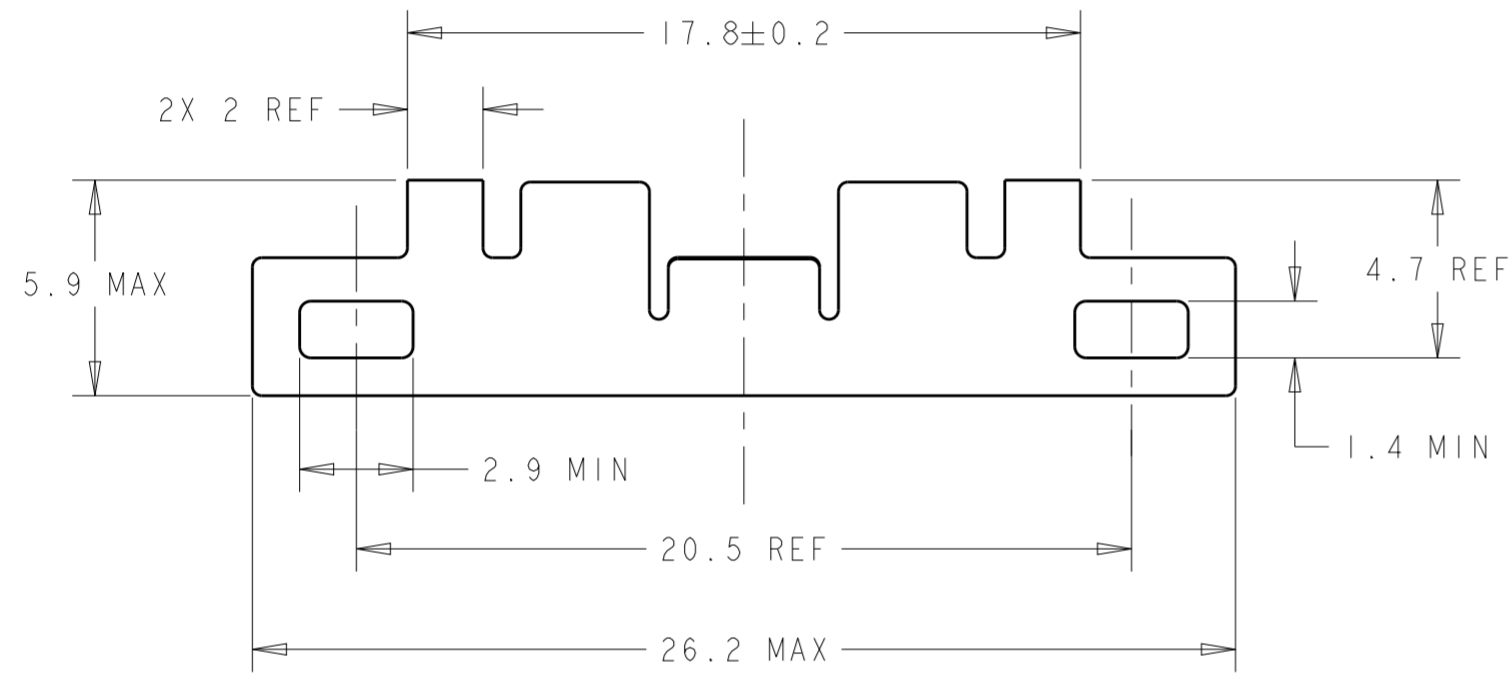
2007304-1
SCALE 4:1



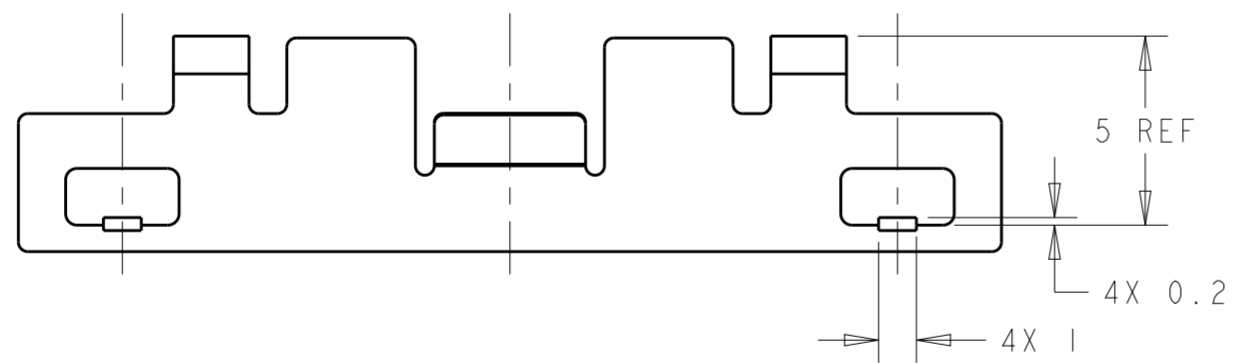
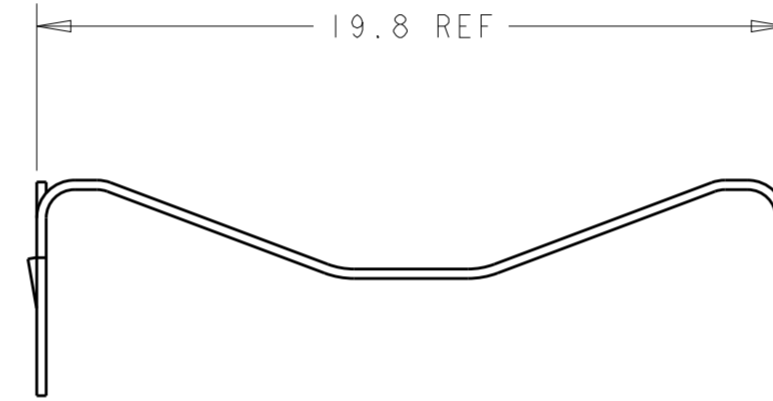
2007304-5
SCALE 4:1



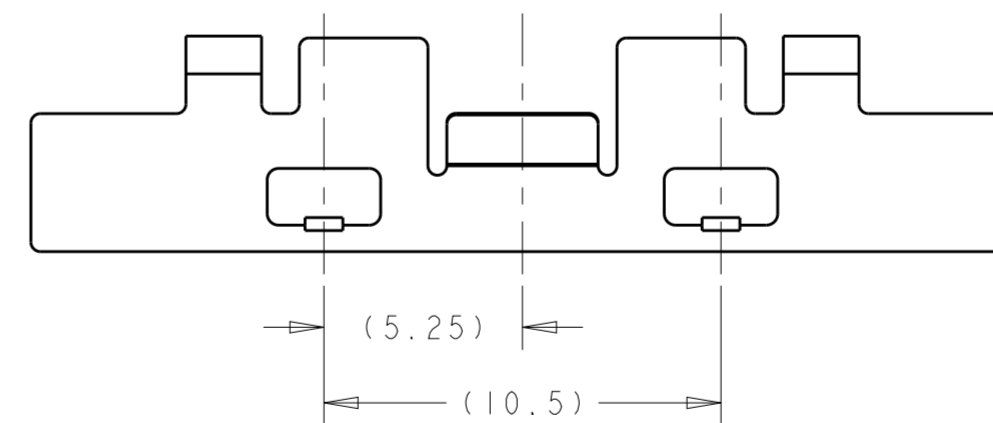
2007304-7
SCALE 4:1



2007304-1 AS SHOWN
SCALE 5:1



2007304-5
UNSPECIFIED SPEC PER 2007304-1
SCALE 5:1



2007304-7
UNSPECIFIED SPEC PER 2007304-5
SCALE 5:1

2007304-7
2007304-5
2007304-1
PART NUMBER

THIS DRAWING IS A CONTROLLED DOCUMENT.		DWN C. VALENTINE 23SEP2008	TE Connectivity	
DIMENSIONS: mm		CHK E. BRIGHT 23SEP2008		
TOLERANCES UNLESS OTHERWISE SPECIFIED:		APVD E. BRIGHT 23SEP2008	NAME QSFP HEAT SINK CLIP	
0 PLC ±	1 PLC ±0.3	PRODUCT SPEC 108-2286	SIZE A200779	CAGE CODE C-2007304
2 PLC ±0.1	3 PLC ±0.001	APPLICATION SPEC 114-13218	SCALE 3:1	SHEET 1 OF 1
4 PLC ±0.0001	ANGLES ±	WEIGHT -	RESTRICTED TO -	REV C
MATERIAL -	FINISH -	Customer Drawing		

单击下面可查看定价，库存，交付和生命周期等信息

[>>TE Connectivity\(泰科\)](#)