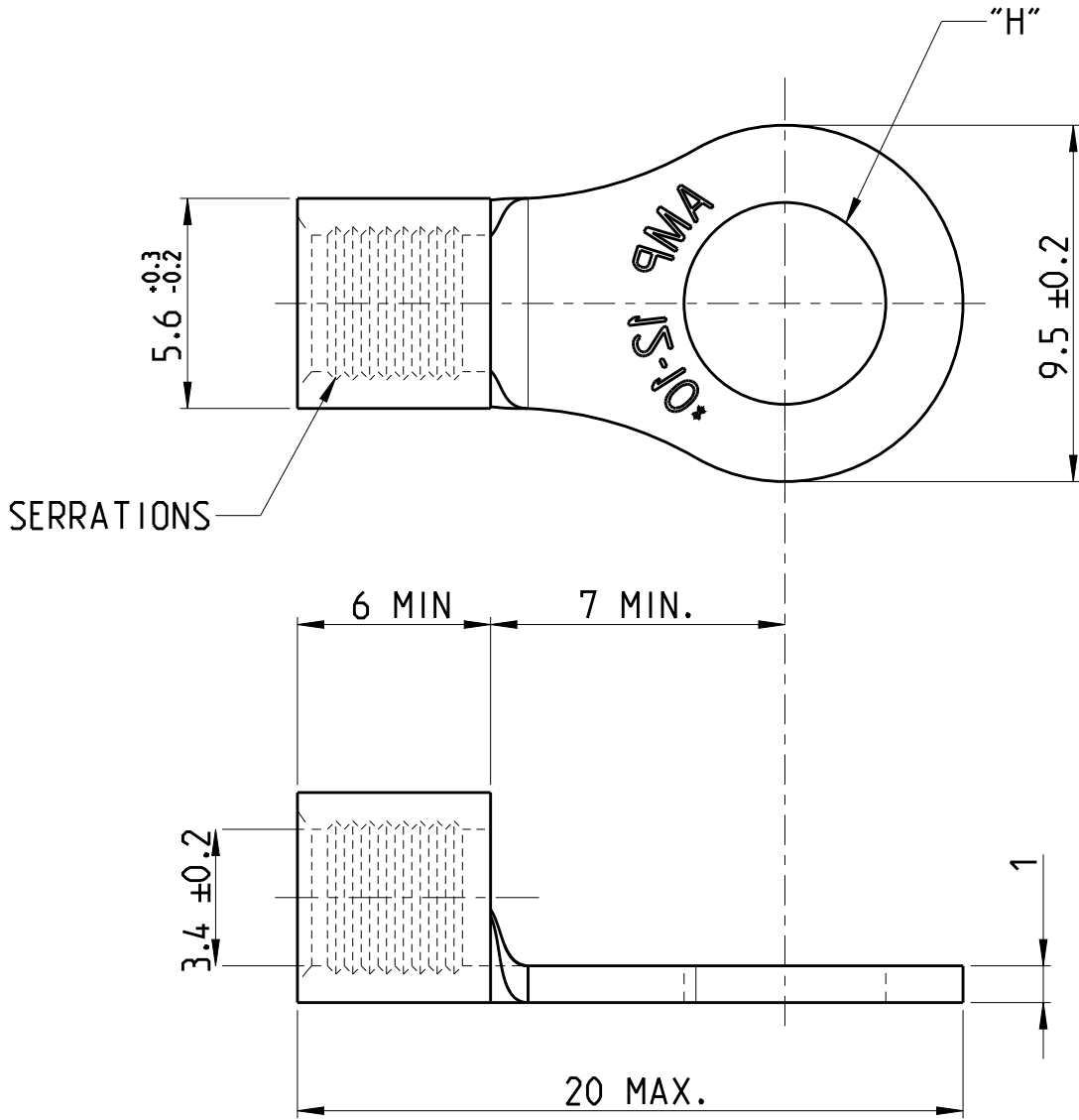


REVISIONS				
P	LTR	DESCRIPTION	DATE	APVD
	H	Change Applicable Body	23JAN17	N.Y
	J	OBSOLETE	14APR17	N.Y
	K	REVISED PER ECR-17-013223	25SEP2017	N.Y



20

RELEASED FOR PUBLICATION

THIS DRAWING IS UNPUBLISHED.


ALL RIGHTS RESERVED.

BY -

© COPYRIGHT 20

WIRE RANGE 2.63-6.64MM2
AWG 12-10

	PART NUMBER	STUD	H ± 0.1
OBSOLETE	170725-1	4MM	1.4
	170725-2	5MM	5.38

DIMENSIONS: mm	DWN T.GOTO	12SEP2017	MATERIAL COPPER	FINISH ANNEAL. TIN PLATING
	CHK Y.OKADA	12SEP2017	 TE Connectivity	
TOLERANCES UNLESS OTHERWISE SPECIFIED: ±0.4	APVD N.YAMASAKI	12SEP2017		
	0 PLC ±	PRODUCT SPEC	-	
1 PLC ±	APPLICATION SPEC	-		
2 PLC ±	WEIGHT	-		
3 PLC ±		SIZE A 4	CAGE CODE -	DRAWING NO C-170725
4 PLC ±		RESTRICTED TO		-
ANGLES ±1° 0'		CUSTOMER DRAWING		SCALE 5:1
				SHEET 1 OF 1
				REV K

单击下面可查看定价，库存，交付和生命周期等信息

[>>TE Connectivity\(泰科\)](#)