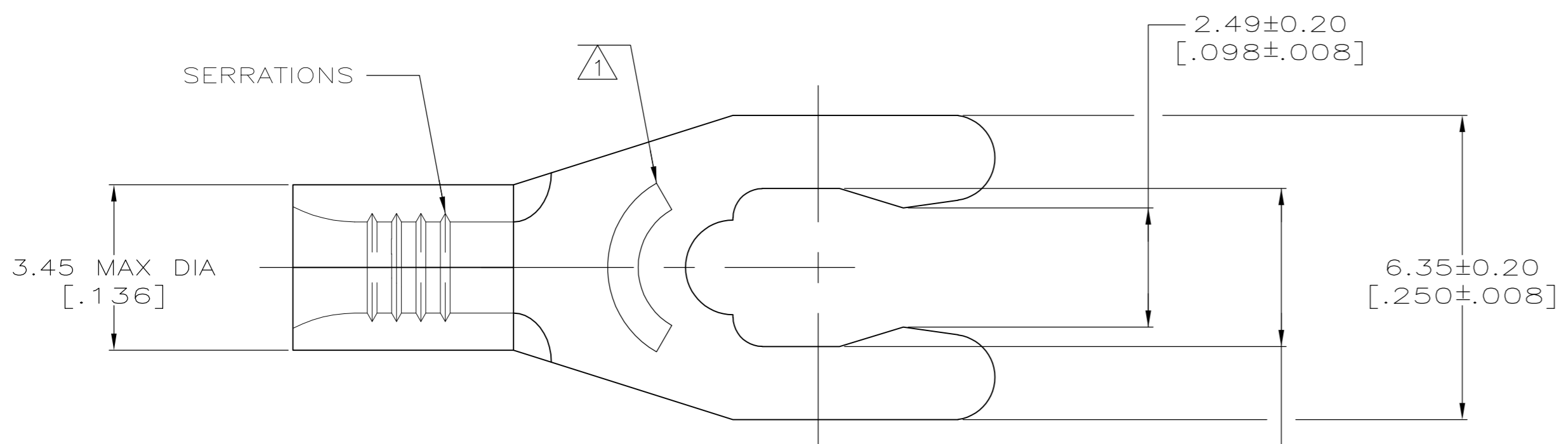
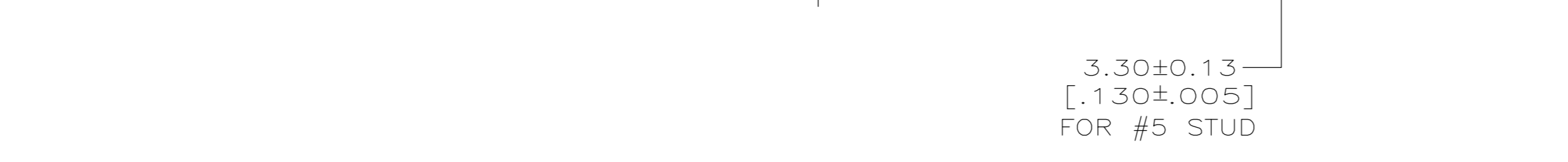


THIS DRAWING IS UNPUBLISHED. RELEASED FOR PUBLICATION  
 © COPYRIGHT BY TYCO ELECTRONICS CORPORATION. ALL INTERNATIONAL RIGHTS RESERVED.

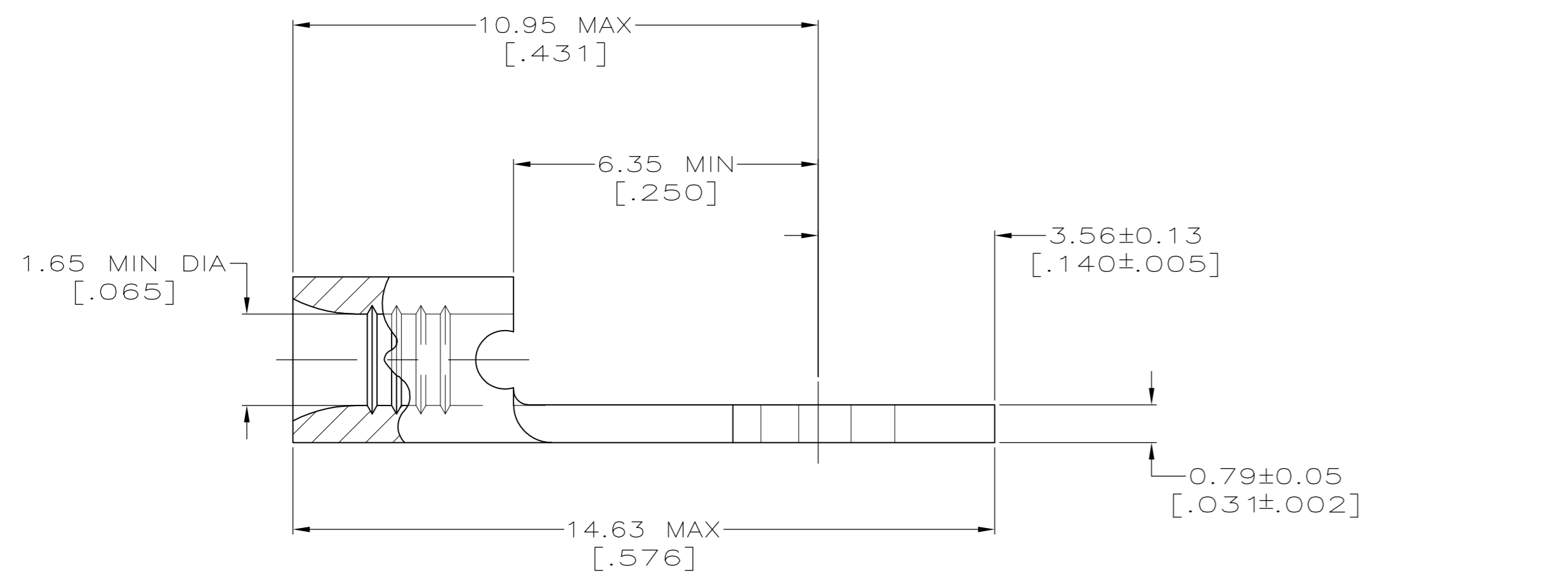
LOC	DIST	REVISIONS			
P	LTR	DESCRIPTION	DATE	DWN	APVD
G	14	B1	REDRAWN PER ECR 10-006147	23MAR10	JR TM



<b>AMP</b> WIRE RANGE	<b>UL</b> Listed FILE E13288	<b>SRD</b> LR7189 Certified
22-16 AWG STRANDED	22-16 AWG STRANDED	NOT CERTIFIED



- ① STAMP 5S AMP 22-18\* APPROX AS SHOWN  
22-16 TERMINALS ARE STAMPED 22-18 IN  
ACCORDANCE WITH MILITARY SPEC SAE-AS7928  
COMMERCIAL WIRE RANGE IS 22-16  
5S INDICATES STUD SIZE
- ② PHOS BRONZE PER ASTM B103, ANNEALED
- ③ TIN PLATE 0.00254 [.000100] MIN THK PER  
ASTM B545



53005-1  
PART NO.

<b>CUSTOMER SERVICE SYSTEMS</b>		MAX RECOMMENDED OPERATING TEMPERATURE: 170°C MAX		THIS DRAWING IS A CONTROLLED DOCUMENT.		DWN TA BRINKMAN 2-11-93		Tyco Electronics Corporation Harrisburg, PA 17105-3608	
FOR ADDITIONAL PRODUCT INFORMATION OR COPIES OF DRAWINGS AND TECHNICAL DOCUMENTS		PRODUCT INFORMATION CENTER 1-800-522-6752		DIMENSIONS: mm [INCHES]		CHK DA PATTERSON 2-11-93			
FOR APPLICATION		TOOLING ASSISTANCE CENTER 1-800-722-1111		TOLERANCES UNLESS OTHERWISE SPECIFIED:		APVD JL MECKLEY 2-11-93		NAME	
TOOLING INFORMATION		1-800-722-1111		0 PLC ± - 1 PLC ± - 2 PLC ± - 3 PLC ± - 4 PLC ± - ANGLES ± -		PRODUCT SPEC		TERMINAL, SHORT SPRING SPADE, BUDGET 22-16	
FOR ORDER ENTRY		1-800-526-5142		CIRCULAR MIL AREA: 0.26-1.65mm² [509-3260] STRANDED		APPLICATION SPEC		SIZE CAGE CODE DRAWING NO RESTRICTED TO	
THIS DRAWING IS A CONTROLLED DOCUMENT FOR AMP INCORPORATED. IT IS SUBJECT TO CHANGE AND THE CONTROLLING ENGINEERING ORGANIZATION SHOULD BE CONTACTED FOR THE LATEST REVISION.				MATERIAL - ②		FINISH - ③		A2 00779 C=53005	
						WEIGHT -		SCALE 10:1 SHEET 1 of 1 REV B1	
						CUSTOMER DRAWING			

单击下面可查看定价，库存，交付和生命周期等信息

[>>TE Connectivity\(泰科\)](#)