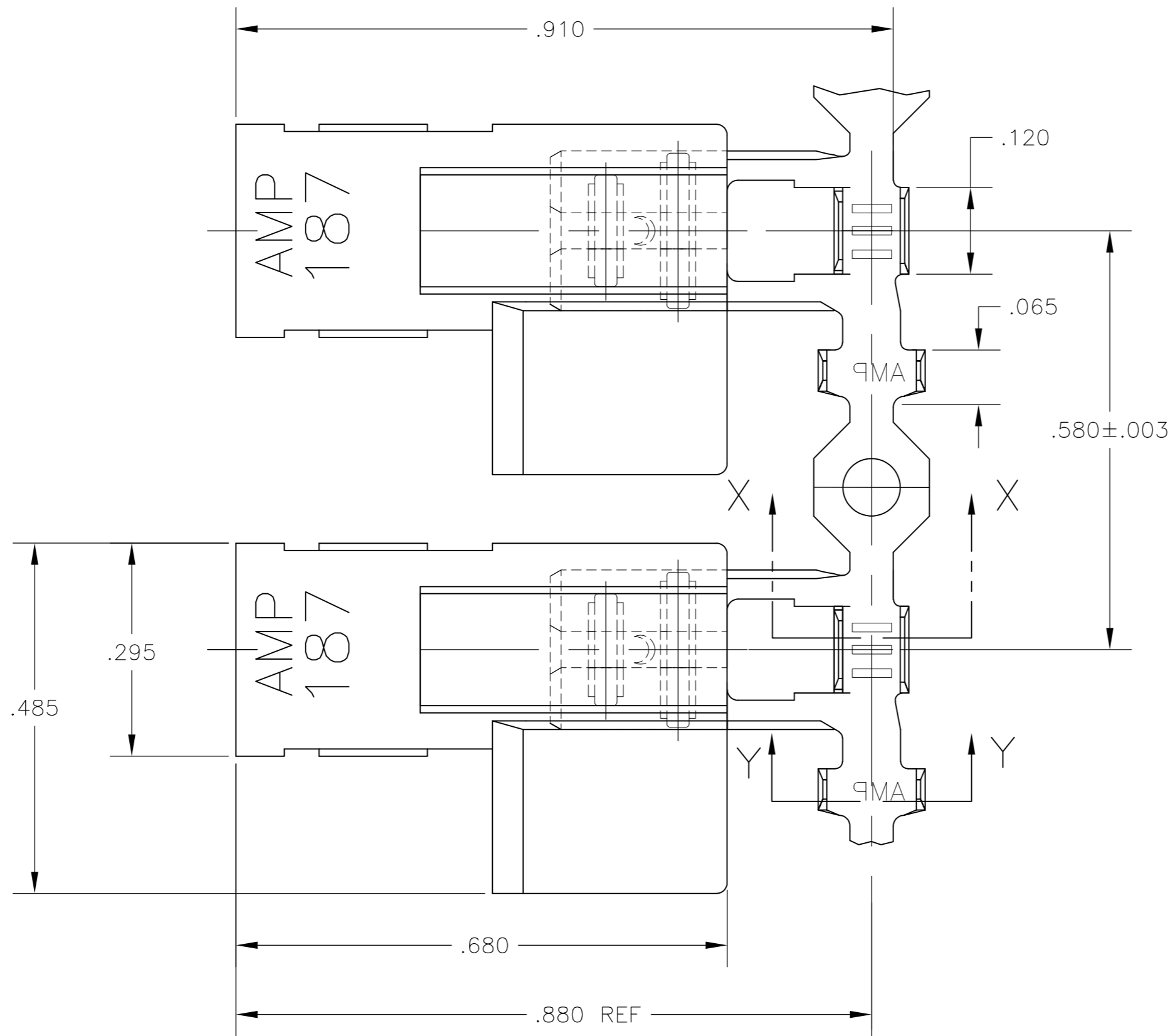
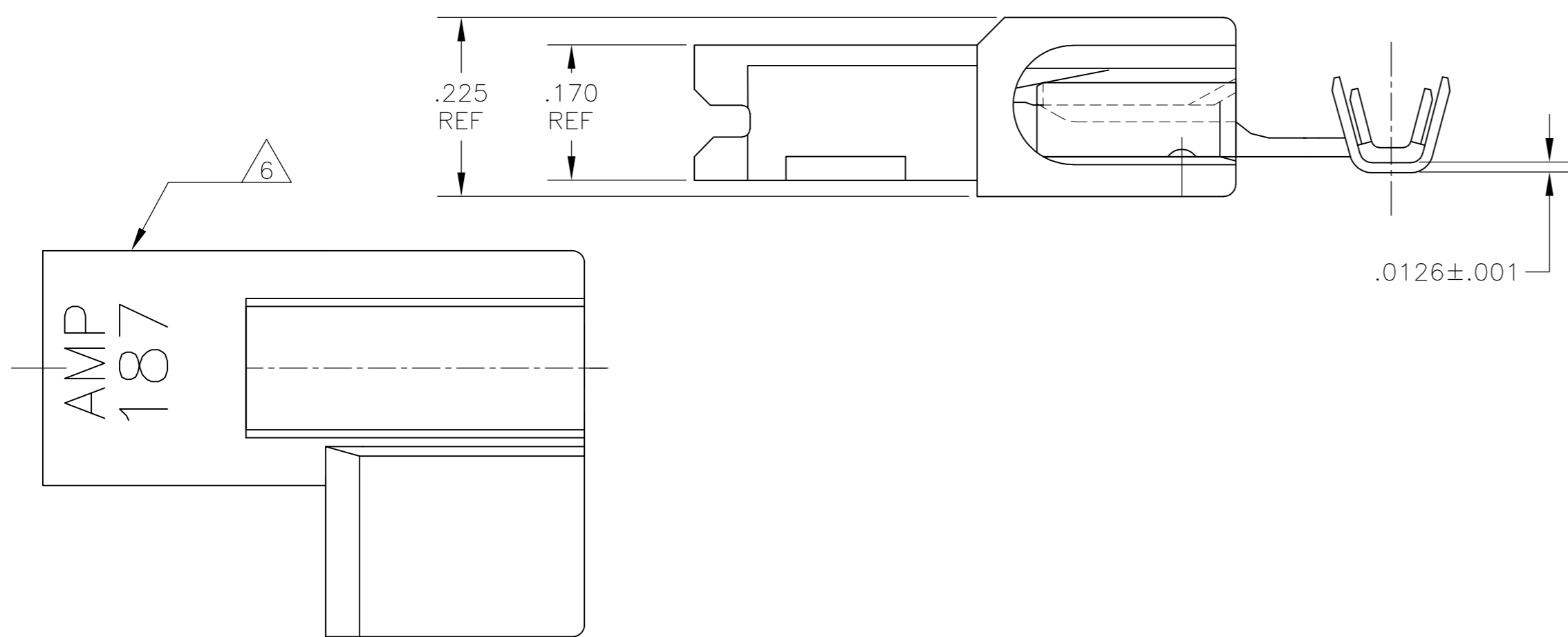
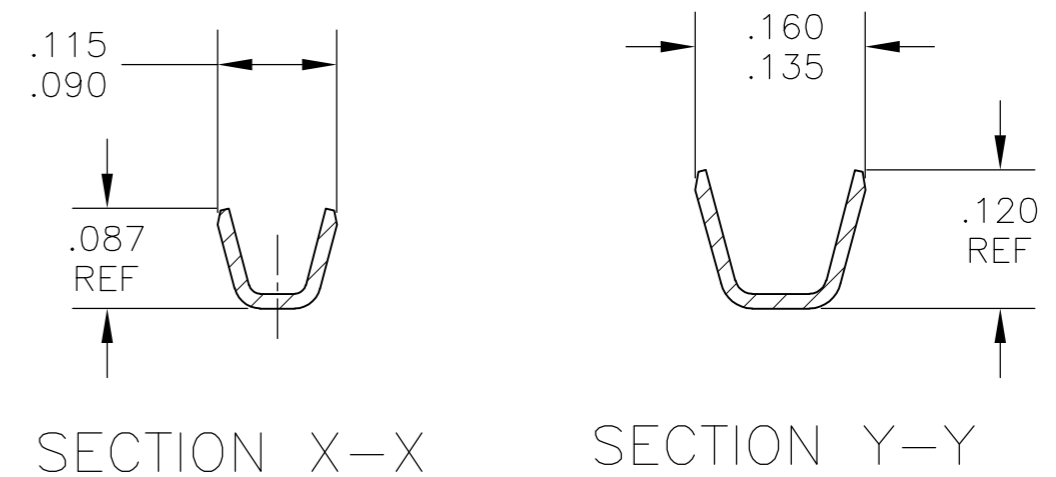


THIS DRAWING IS UNPUBLISHED. RELEASED FOR PUBLICATION
 © COPYRIGHT - By - ALL RIGHTS RESERVED.

LOC	DIST	REVISIONS			
P	LTR	DESCRIPTION	DATE	DWN	APVD
AF	50	B	REVISED PER ECR-12-013062	17DEC12	KH KR



- USE FLAG FASTON TERMINAL BASE
- WIRE SIZE IS #22-#18 AWG
- INSULATION RANGE IS .060-.110 DIA
- MATERIAL;
 TERMINAL: BRASS, FINISH: SEE TABLE
 HOUSING: V2 NYLON, COLOR: NATURAL(WHITE)
- FITS .187 X .032 THK FASTON TAB
- ALTERNATIVE HOUSING FORM
- PRELIMINARY - NOT FOR PRODUCTION
- GLOW WIRE APPROVED; CONTACT TE ENGINEERING FOR SPECIFICATION (ALL WALL THICKNESSES ARE BETWEEN 0.4-3.0[.015-.118])



THIS DRAWING IS A CONTROLLED DOCUMENT.		DWN	RAGHAVENDRA	04APR2007	NAME	
DIMENSIONS: INCHES		CHK	G D PORTA	04APR2007	ASSEMBLY, RECPT, FLAG, ULTRA-POD, .187 SERIES WIRE SIZE: 22-18 AWG	
TOLERANCES UNLESS OTHERWISE SPECIFIED:		APVD	G D PORTA	04APR2007	SIZE	A2
0 PLC	± -	PRODUCT SPEC	CAGE CODE 00779			
1 PLC	± -	APPLICATION SPEC	DRAWING NO 1969107			
2 PLC	± -	WEIGHT	SCALE 6:1			
3 PLC	± .010	RESTRICTED TO	SHEET 1 of 1			
4 PLC	± -	REV	B			
ANGLES	± -	CUSTOMER DRAWING				
FINISH	SEE NOTES					

单击下面可查看定价，库存，交付和生命周期等信息

[>>TE Connectivity\(泰科\)](#)