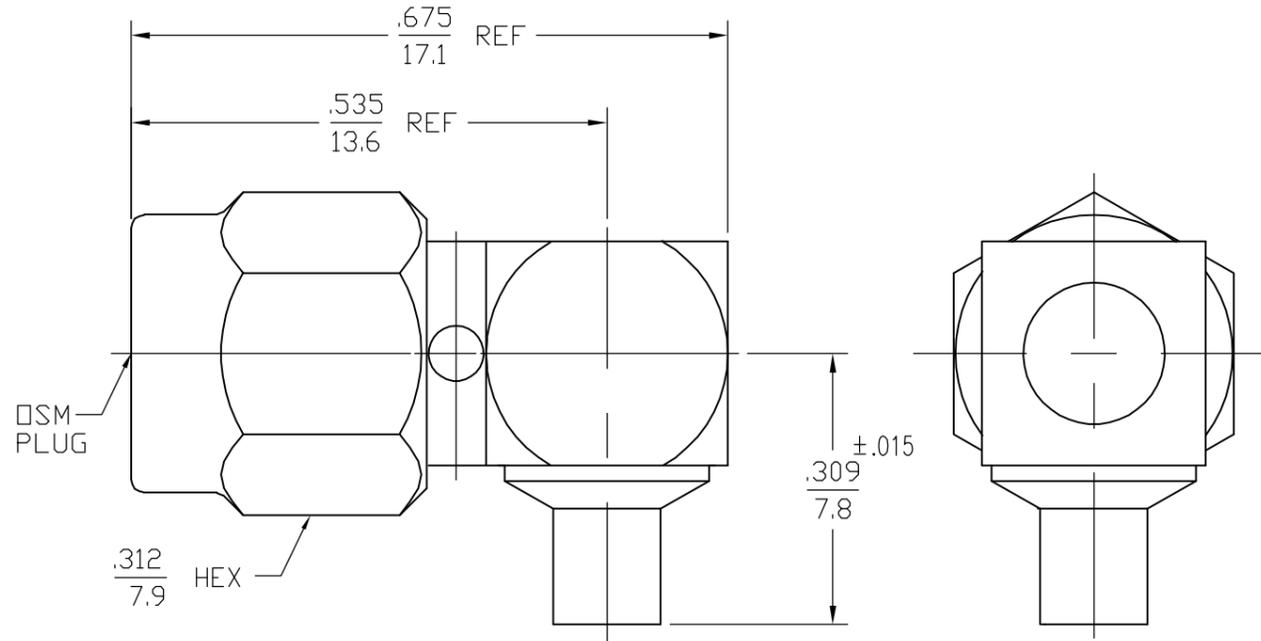


THIS DRAWING IS UNPUBLISHED. RELEASED FOR PUBLICATION
 © COPYRIGHT - BY TYCO ELECTRONICS CORPORATION. ALL RIGHTS RESERVED.

LOC	DIST	REVISIONS					
AJ	16	P	LTR	DESCRIPTION	DATE	DWN	APVD
		B		REVISED PER ECO-05-007687	02SEP05	BM	KW

- DESIGNED FOR USE WITH .085 SEMI-RIGID CABLE.
CABLE ENTRY DIAMETER: HOUSING: .088 MIN
CONTACT: .037 MIN
- USE INSTRUCTION SHEET 408-4944.



ELECTRICAL	MECHANICAL	ENVIRONMENTAL
Nominal Impedance (Ohms) <u>50</u>	Interface Dimensions MIL-STD-348A, Fig. 310.1	TEMPERATURE RATING <u>-65°C TO +165°C</u>
Frequency Range (GHz) DC to <u>18</u>	Recommended Mating Torque <u>7-10 in-lbs</u>	Vibration MIL-STD-202, Method 204, Condition D.
Volt Rating (VRMS MAX) @ Sea Level <u>335</u>	Mating Characteristics: Insertion (MAX Lbs) N/A	Shock MIL-STD-202, Method 213, Condition I.
VSWR <u>1.18 ±.015F (GHz)</u>	Withdrawal (MIN Oz) N/A	Thermal Shock MIL-STD-202, Method 107, Condition B, EXCEPT HIGH TEMP +115°C
Insertion Loss (dB MAX) <u>.05 √F(GHz)</u>	Force to Engage and Disengage (In-Lbs MAX) <u>2.0</u>	Moisture Resistance MIL-STD-202, Method 106
RF Leakage (dB MIN) <u>-90 @ 2-3 GHz</u>	Center Contact Captivation Axial (Lbs) <u>6.0</u>	Corrosion - MIL-STD-202, Method 101, Condition B, 5% salt spray
Corona, 70,000 Ft (VRMS MIN) <u>250</u>	Radial (In-Oz) N/A	
Dielectric Withstanding Voltage (VRMS MIN) @ Sea Level <u>1,000</u>	Cable Retention Axial Force (Lbs MIN) <u>30</u>	
Contact Resistance (Milliohms MAX) Center Contact <u>4.0</u>	Torque (In-Oz) <u>16</u>	
Outer Contact <u>2.0</u>	Weight (Grams) <u>TBD</u>	
Cable to Housing <u>0.5</u>		
RF High Potential @ Sea Level (VRMS MIN @ 5 MHz) <u>670</u>		
I.R.(Megohms MIN) <u>5,000</u>		

HOUSING COUPLING NUT CAP	STAINLESS STEEL PER ASTM-A484 AND ASTM-A582, TYPE 303	GOLD PLATE PER MIL-G-45204
DIELECTRIC	TFE FLUOROCARBON PER ASTM-D-1457	N/A
CENTER CONTACT	BERYLLIUM COPPER PER ASTM B 196, ALLOY C17300, CONDITION H	GOLD PLATE PER MIL-G-45204
RETAINING RING	BERYLLIUM COPPER PER ASTM B 194, ALLOY C17200, CONDITION H	N/A
GASKET	SILICONE RUBBER PER ZZ-R-765	N/A
COMPONENT	MATERIAL	FINISH

1051113-1
PART NUMBER

THIS DRAWING IS A CONTROLLED DOCUMENT.		DWN R.B.G. 11-18-76	Tyco Electronics Corporation Harrisburg, PA 17105-3608					
		CHK E.C.A. 12-2-76						
DIMENSIONS: INCHES[mm]		APVD R.M.F. 12-2-76	NAME OSM HIGH FREQUENCY, RIGHT ANGLE CABLE PLUG DIRECT SOLDER					
		PRODUCT SPEC	RESTRICTED TO					
		APPLICATION SPEC	-					
MATERIAL		WEIGHT	SIZE A3	CAGE CODE 00779	DRAWING NO C-1051113-1	SCALE 5:1	SHEET 1 of 1	REV B
-		-	CUSTOMER DRAWING					

单击下面可查看定价，库存，交付和生命周期等信息

[>>TE Connectivity\(泰科\)](#)