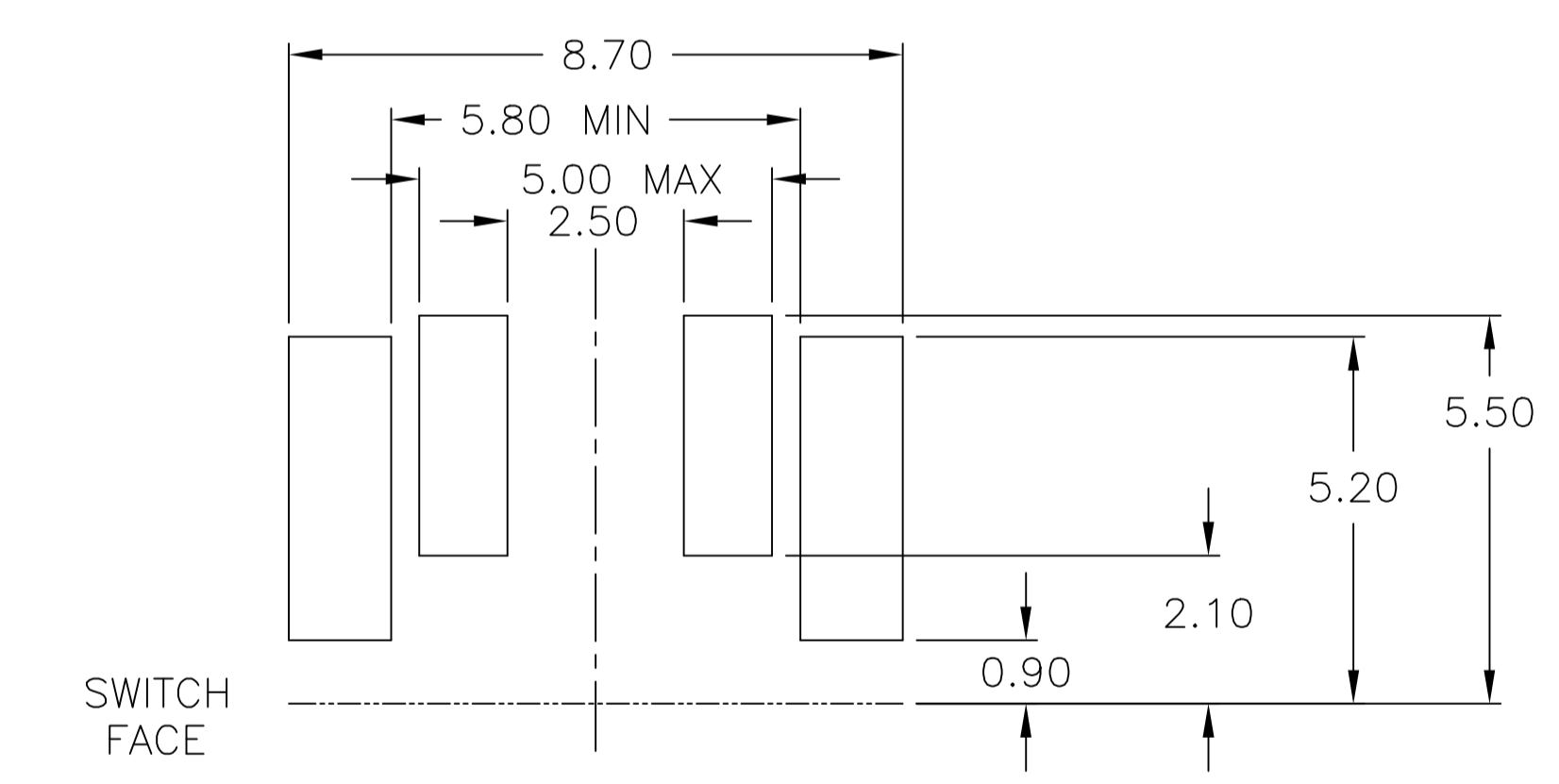
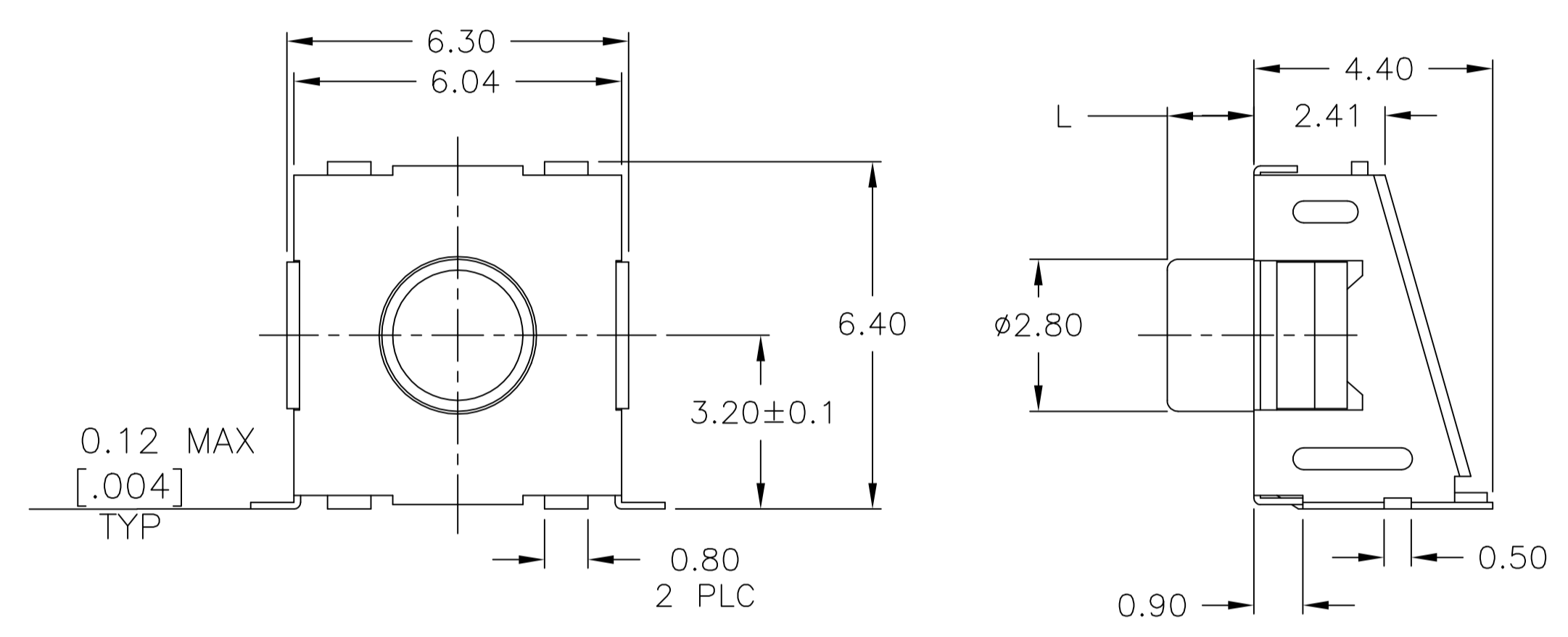
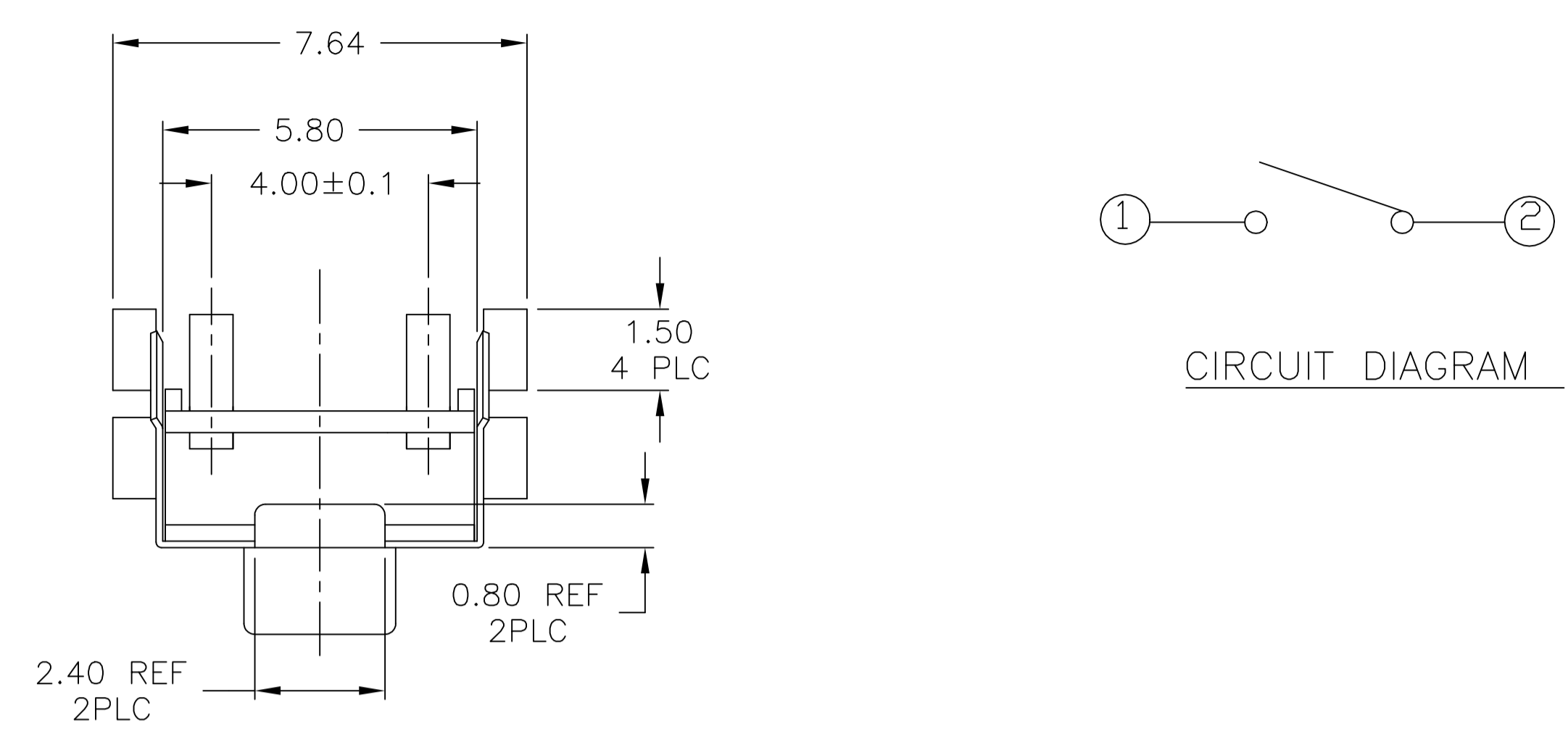
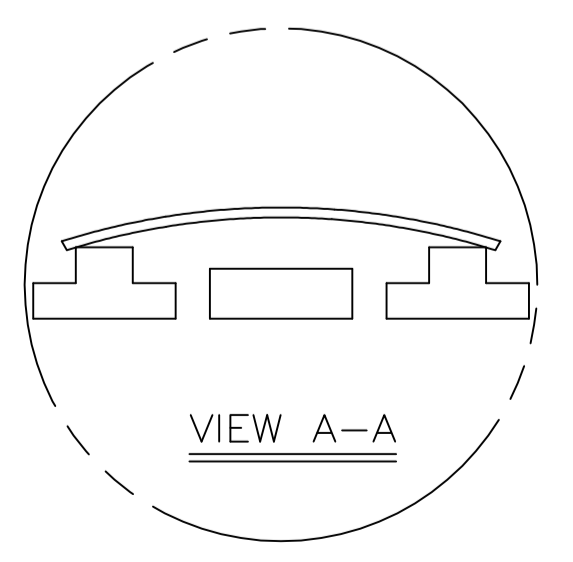


REVISIONS				
P	LTR	DESCRIPTION	DATE	DWN APVD
J		REVISED PER ECO-17-014758	18DEC2017	GCM PO



P.C.B MOUNTING SOLDER LAND DIMENSIONS



SPECIFICATIONS

MATERIALS
CASE: THERMOPLASTIC, UL94V-0, IVORY
ACTUATOR: SILICON RUBBER, COLOR-BLACK
CONTACT: STAINLESS STEEL, PLATING-SILVER
TERMINAL: BRASS, SILVER/NICKEL
BRACKET: NICKEL SILVER

ELECTRICAL
MAX CONTACT RATING: 50MILLIAMPS@24V DC
MIN CONTACT RATING: 10MICROAMPS@1V DC
INITIAL CONTACT RESISTANCE: 100 MILLIOHMS MAX, PER EIA RS-448, METHOD 1
INSULATION RESISTANCE: 100 MEGOHMS MIN @ 100VDC PER EIA RS-186-13E
DIELECTRIC STRENGTH: 500 VAC 50/60 HZ FOR 1 MINUTE
CONTACT BOUNCE: 10 MILLISECOND MAX PER EIA-448-18, METHOD 15

MECHANICAL
ACTUATOR OPERATING FORCE: SEE TABLE
ACTUATOR TRAVEL: 0.35±0.2mm

DURABILITY
UP TO 1,000,000 CYCLES, AT RATED LOAD PER EIA-RS-448, METHOD 8
FINAL CONTACT RESISTANCE: 200 MILLIOHMS MAX
CONTACT BOUNCE: 20 MILLISECONDS MAX
ACTUATOR FORCE: WITHIN ±30% OF INITIAL VALUE

ENVIRONMENTAL
OPERATING TEMPERATURE RANGE: -35°C to +85°C, 45% - 85% RH
STORAGE TEMPERATURE RANGE: -35°C to +85°C
HUMIDITY: 96 HOURS PER EIA-186-1E
INSULATION RESISTANCE: 10 MEGOHMS MIN
DIELECTRIC STRENGTH: 500VAC 50/60HZ FOR 1 MINUTE
CONTACT RESISTANCE: 100 MILLIOHMS MAX
DRY HEAT TEST: 85°C FOR 96 HOURS PER IEC 60068-2-2, TEST B,
NO CHANGE IN INITIAL ELECTRICAL AND MECHANICAL CHARACTERISTICS
COLD TEST: -35°C FOR 96 HOURS PER IEC 60068-2-1, TEST A;
NO CHANGE IN INITIAL ELECTRICAL AND MECHANICAL CHARACTERISTICS
THERMAL CYCLING: 5 CYCLES, -35°C to +85°C
HUMIDITY-TEMPERATURE CYCLING, EIA 364-31B, METHOD III
CONTACT RESISTANCE 100 MILLIOHMS MAX
RESISTANCE TO SOLDERING HEAT PER 109-201, COND B

SEALING PER IP67 - CONTACT RESISTANCE 100 MILLIOHMS MAX AND MIL-STD-202F, METHOD 112 (TEST CONDITION D, EXCEPT WITH FLUID TEMPERATURE OF 85°C±5°C AND IMMERSED FOR 60 SECONDS)

SOLDERABILITY: PER EIA-364-52, CLASS 1, CATEGORY 2

- 1 PARTS TO BE PACKAGED ON TAPE AND REEL PER EIA-481
- 2 ALL MATERIALS AND FINISHES SHALL COMPLY WITH EU DIRECTIVE 2002/95/EC OF 27JAN2003 (ROHS)
- 3 OBSOLETE PARTS: OBSOLETE CIS STREAMLINING PER D.RENAUD/D.SINISI

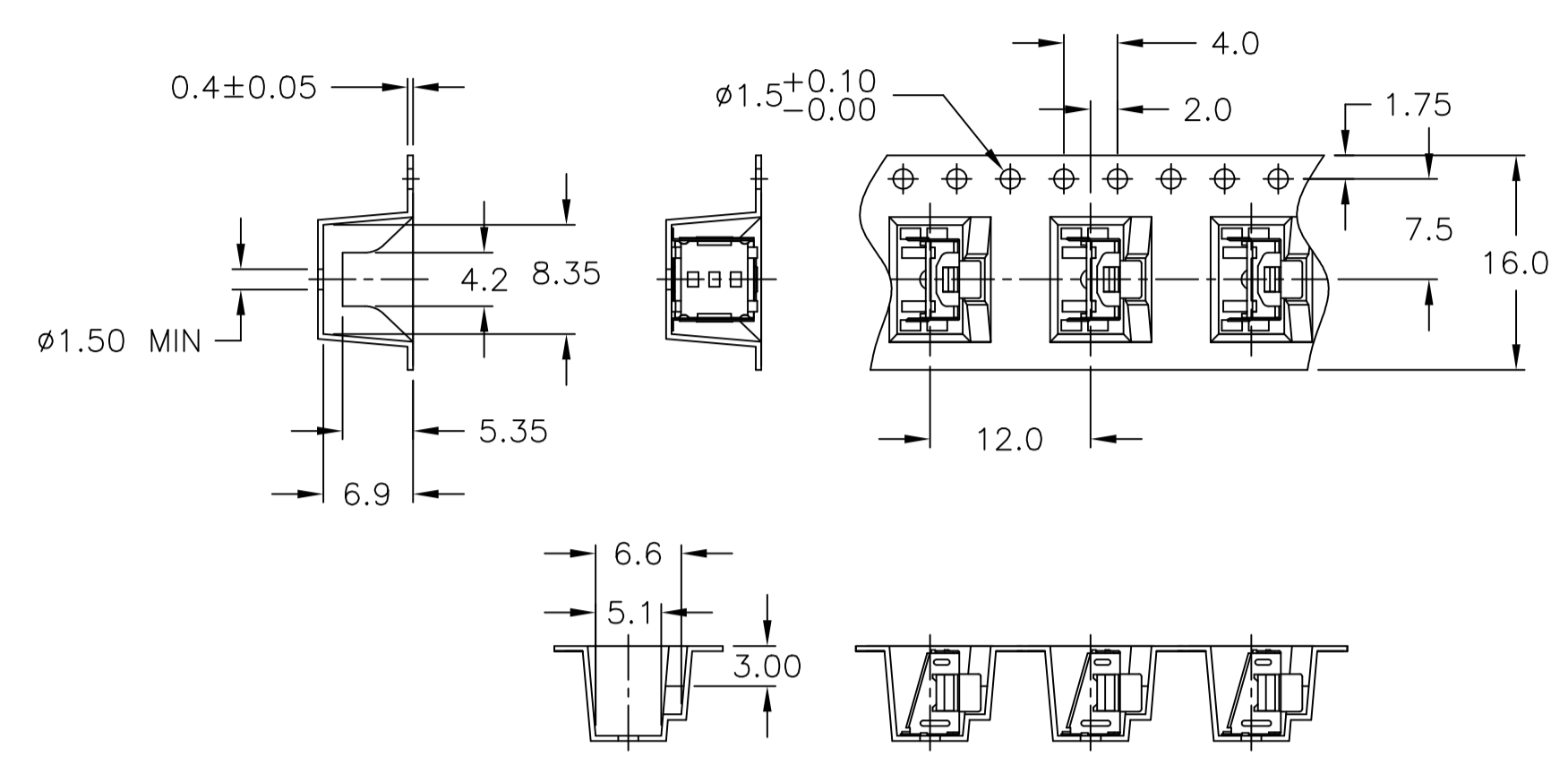
1	OBSOLETE		16mm	T&R	260±100gf	3.96mm	1571407-4	
3	OBSOLETE	N/A	N/A	BULK	260±100gf	3.96mm	1571407-3	
1			16mm	T&R	260±100gf	1.60mm	1571407-2	
			N/A	N/A	BULK	260±100gf	1.60mm	1571407-1
			Pitch	Tape Width	Operating force	Dim L	TE P/N	

DIMENSIONS:		TOLERANCES UNLESS OTHERWISE SPECIFIED:		MATERIAL		FINISH	
0 PLC	±						
1 PLC	±						
2 PLC	±						
3 PLC	±	0.30	[0.12]				
4 PLC	±						
ANGLES	±						

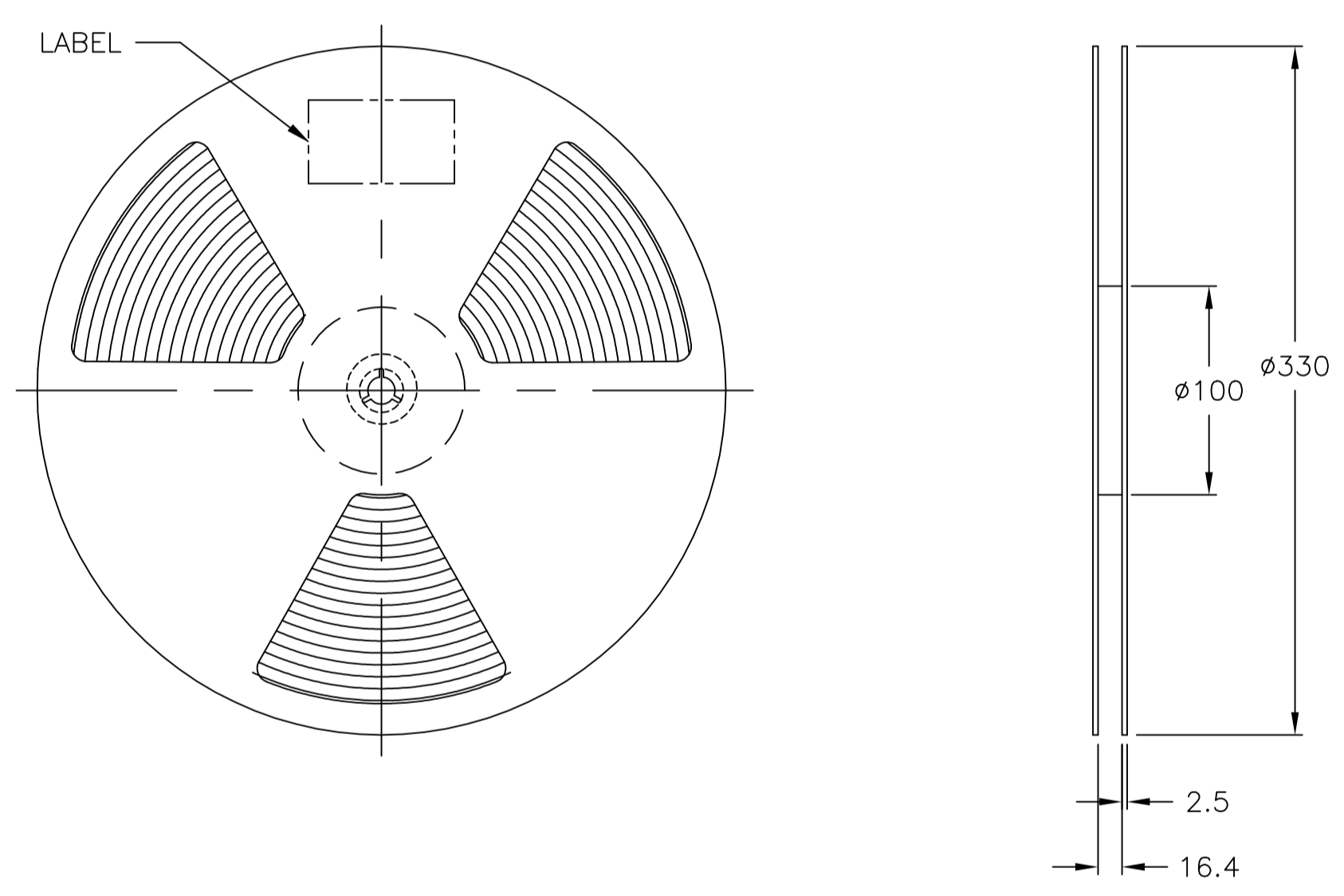
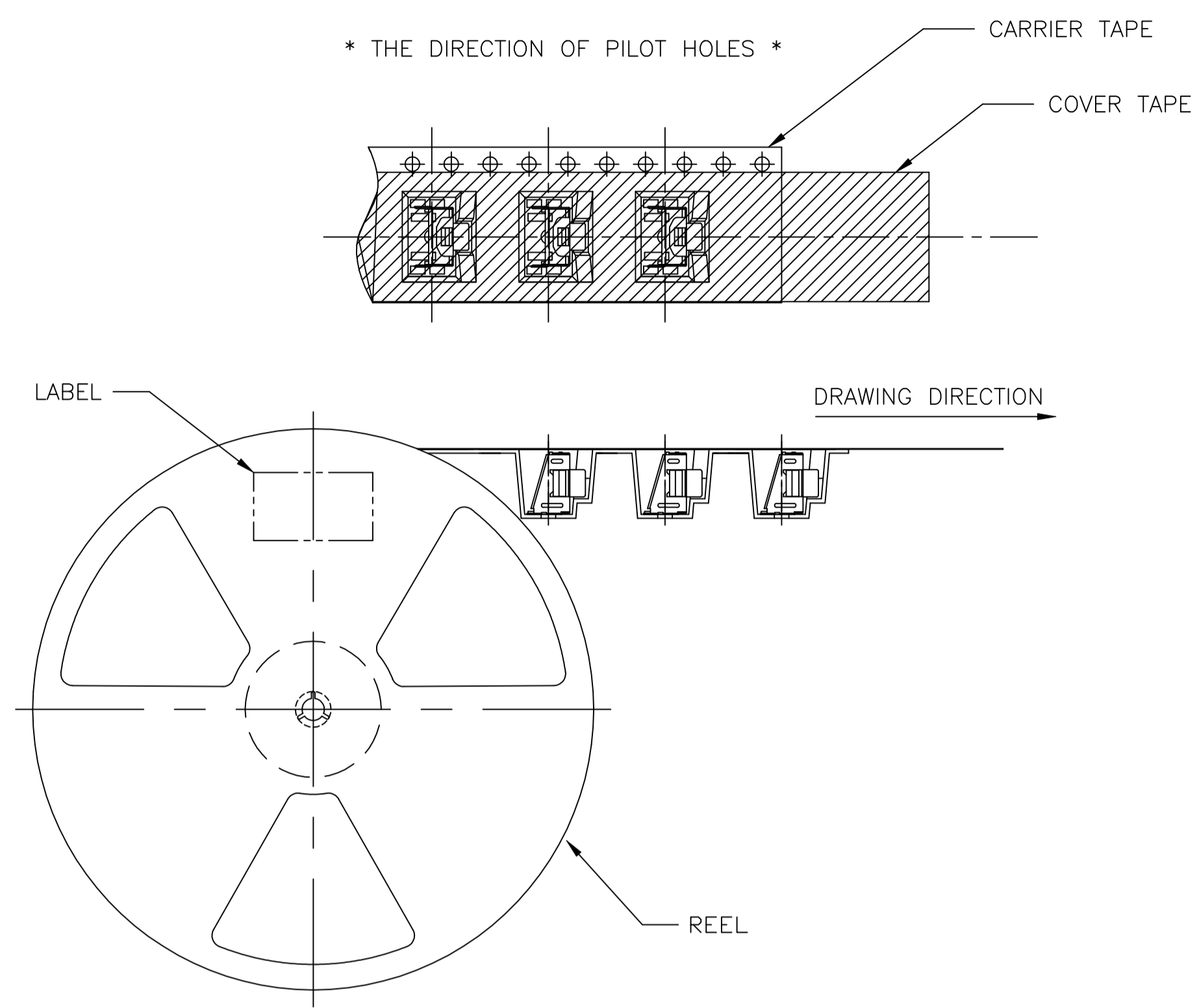
THIS DRAWING IS A CONTROLLED DOCUMENT.		DWN M.BINNER		09DEC02		STE TE Connectivity	
DIMENSIONS:		CHK M.SARVER		NAME		SWITCH ASSEMBLY, TACTILE, RIGHT ANGLE, SMT, SEALED	
MATERIAL		APVD M.SARVER		APPLICATION SPEC		SIZE CAGE CODE DRAWING NO	
FINISH		WEIGHT 0		A1 00779		C=1571407	
CUSTOMER DRAWING		SCALE 10:1		SHEET 1 OF 2		REV J	

REVISIONS					
P	LYR	DESCRIPTION	DATE	DMN	APVD
-	-	SEE SHEET 1	-	-	-

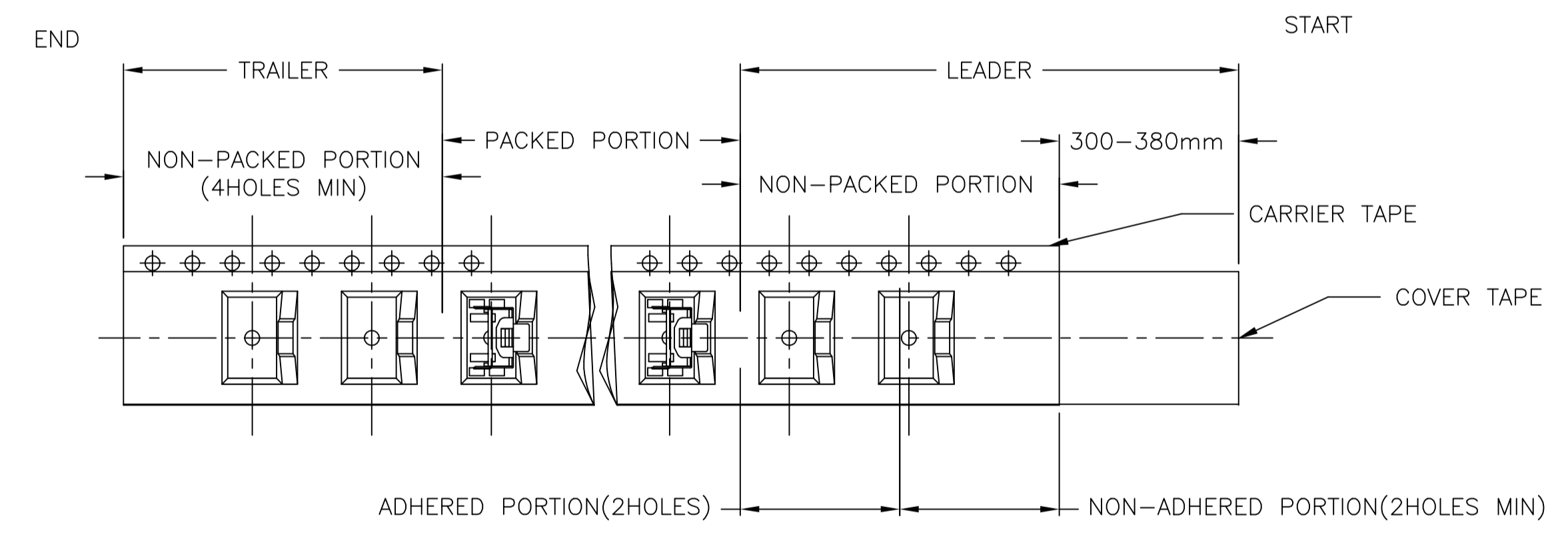
* THE DIMENSION OF CARRIER TAPE, COVER TAPE AND REEL *



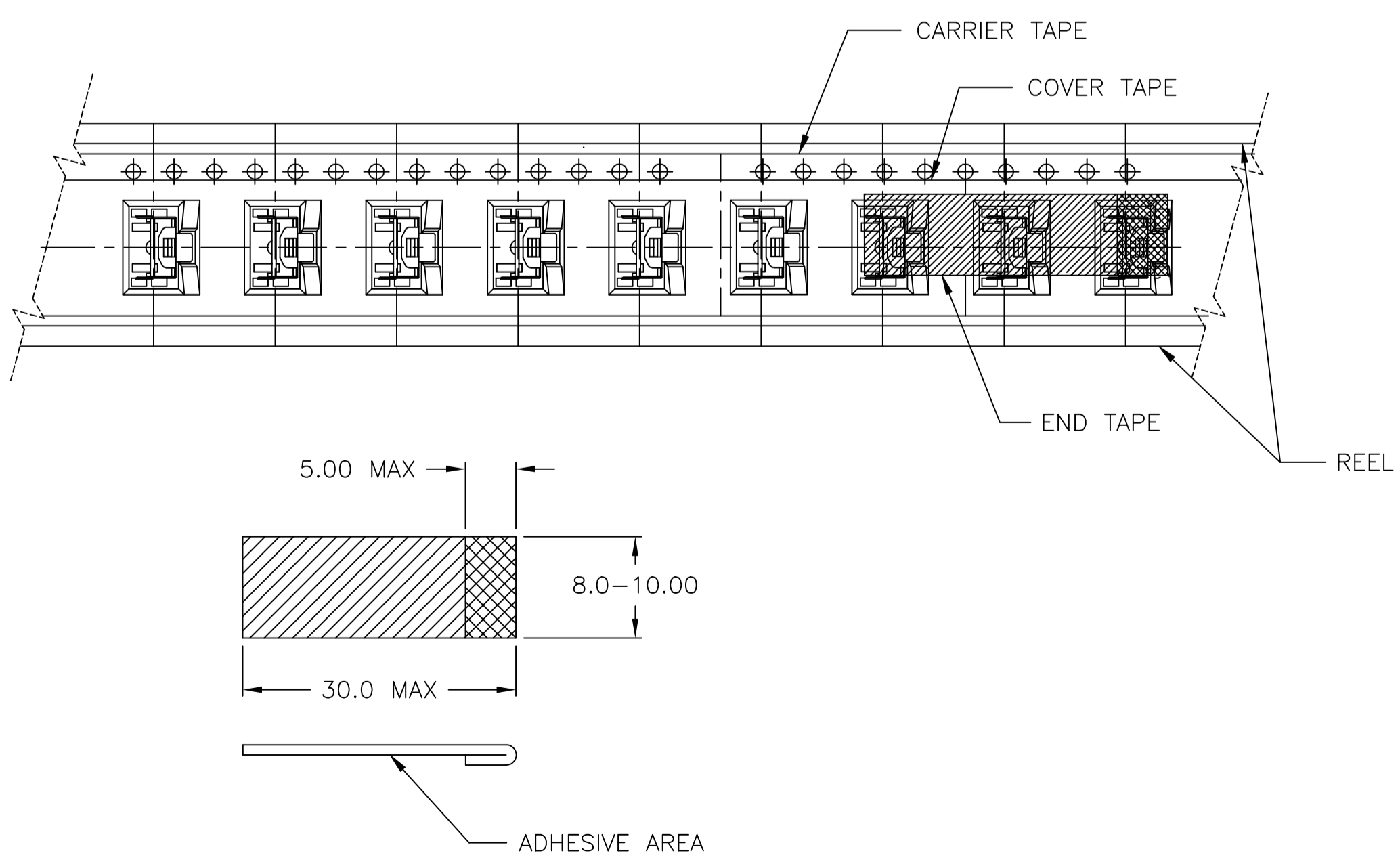
* THE DIRECTION OF PILOT HOLES *



* THE SPECIFICATION FOR PACKAGING *



* END TAPE *



THIS DRAWING IS A CONTROLLED DOCUMENT.		DMN M.BINNER	09DEC02	TE Connectivity SWITCH ASSEMBLY, TACTILE, RIGHT ANGLE, SMT, SEALED	
DIMENSIONS:		CHK M.SARVER	NAME		
TOLERANCES UNLESS OTHERWISE SPECIFIED:		APVD M.SARVER	PRODUCT SPEC	APPLICATION SPEC	
0 PLC ± - 1 PLC ± - 2 PLC ± 0.30[.012] 3 PLC ± - 4 PLC ± - ANGLES ± - FINISH -		SIZE A1		CAGE CODE 00779	DRAWING NO C=1571407
MATERIAL		WEIGHT 0		RESTRICTED TO	SCALE 2:1
CUSTOMER DRAWING		SHEET 2		OF 2	REV J

单击下面可查看定价，库存，交付和生命周期等信息

[>>TE Connectivity\(泰科\)](#)