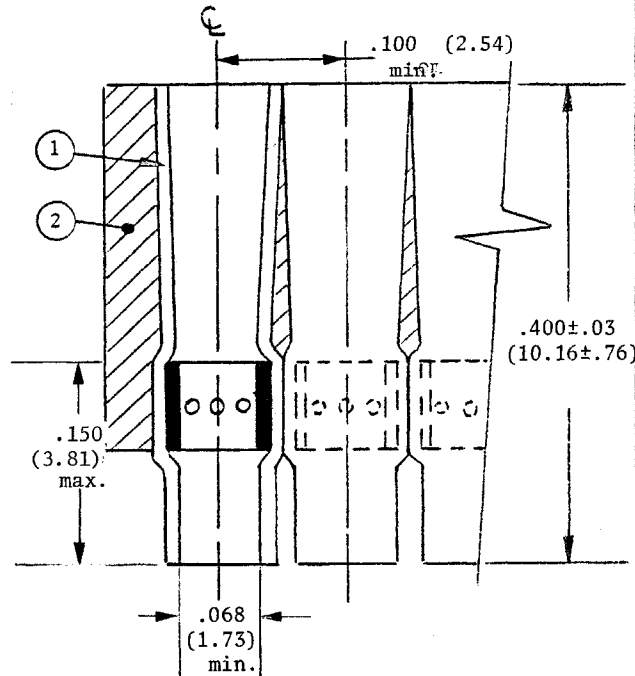
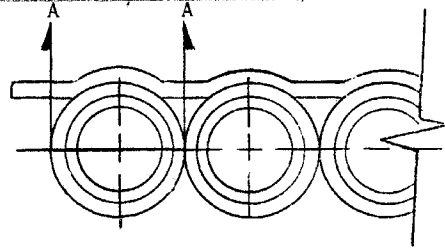


REVISIONS			
LTR	DESCRIPTION	DATE	APPROVED
B	REVISED PER DCO# 01831	7/18/80	Blain
C	REVISED PER ECN# T-3049	10-7-82	73

1. RAYCHEM SOLDER SLEEVE  
(20 per assembly)  
Transparent blue, radiation crosslinked polyvinylidene fluoride containing a solder preform conforming to QQ-S-571 type Sn 63 S RMAP 2.
2. CARRIER STRIP  
Adhesive coated high temperature tape.



NOTES:

- a. This assembly is designed for use with a Raychem AS-4000 Series Wire Organization System to terminate wires to a Raychem SEM Connector. The wire shall have 30 - 24 gauge silver or tin plated conductors and insulation rated for at least 125°C, the O.D. over the jacket shall be .025 and .068.
- b. Temperature rating of terminator: -65°C to +125°C.
- c. Insulation sleeve will recover to .030, max. I.D.
- d. Acceptance sampling shall be in accordance with Inspection Level I of MIL-STD-105. The acceptable quality level (AQL) shall be 4.0.

If this document is printed it becomes uncontrolled.  
Check with the web for latest revision.

© 1978 RAYCHEM CORPORATION

CONNECTORS SPECIFICATION CONTROL DRAWING

DO NOT SCALE THIS DRAWING		DRAWN <i>CLS</i>		RAYCHEM		RAYCHEM CORPORATION 300 CONSTITUTION DRIVE MENLO PARK, CALIFORNIA 94025	
UNLESS OTHERWISE SPECIFIED DIMENSIONS ARE IN INCHES AND TOLERANCES ARE: .XXX ± .XX ± .X ±		CHECKED					
MATERIAL		APPROVED <i>[Signature]</i> 11/3/79		TITLE Solder Sleeve Wire Terminator Assembly 24 - 30 Gauge Wire/SEM Connector			
		APPROVED <i>[Signature]</i> 10/31/78					
FINISH		PART NO.		SIZE A	CODE IDENT. NO. 06090	DWG. NO. CTA-0050	
		PROJECT 6448-7029		SCALE		WEIGHT	

单击下面可查看定价，库存，交付和生命周期等信息

[>>TE Connectivity\(泰科\)](#)