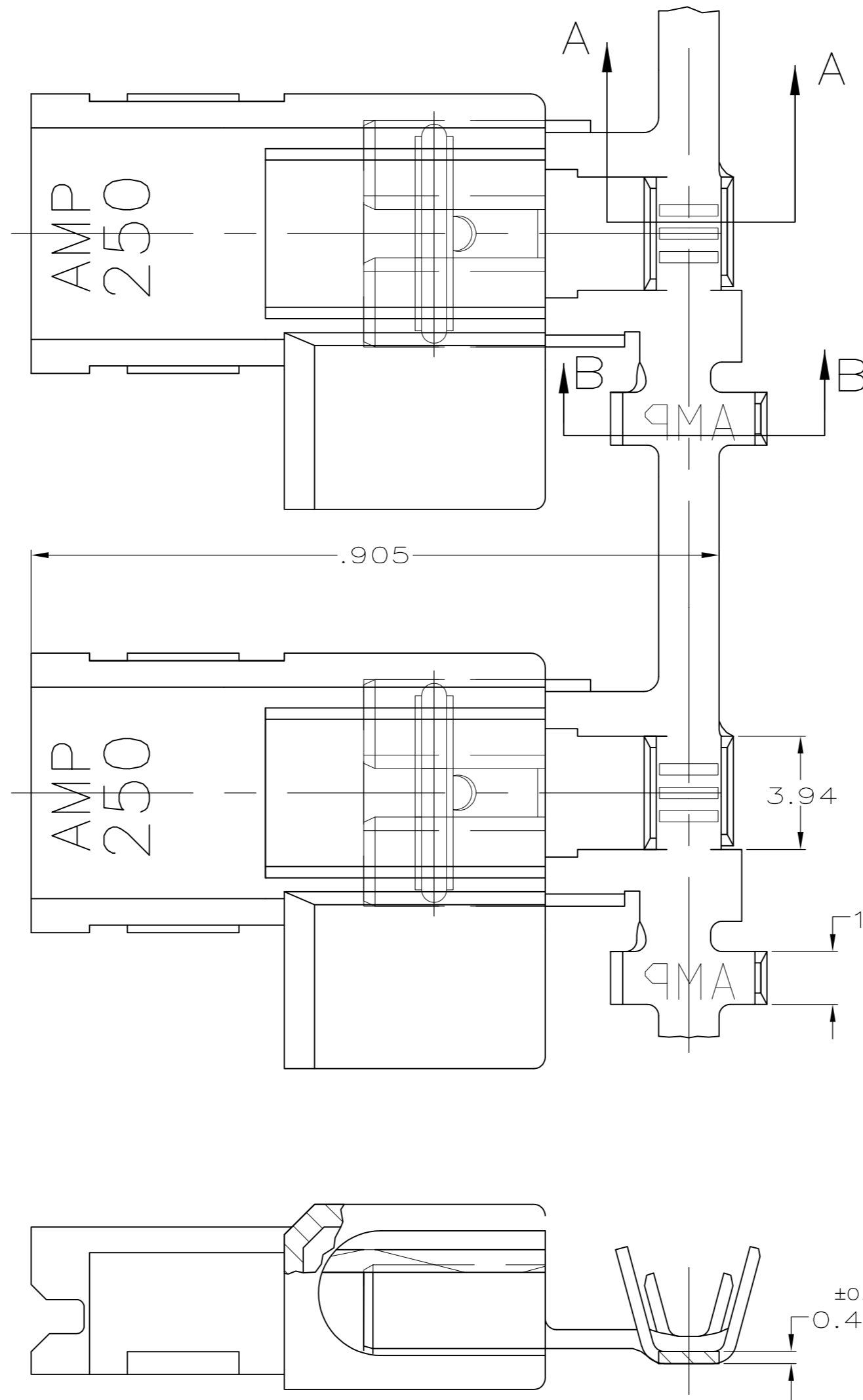
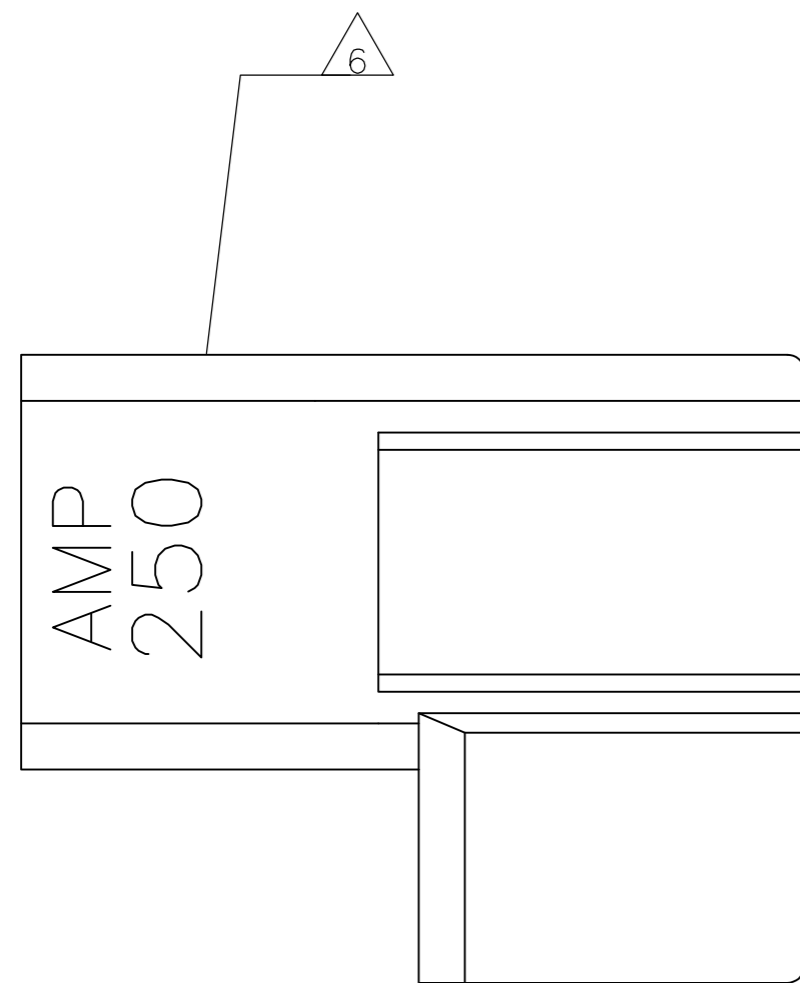
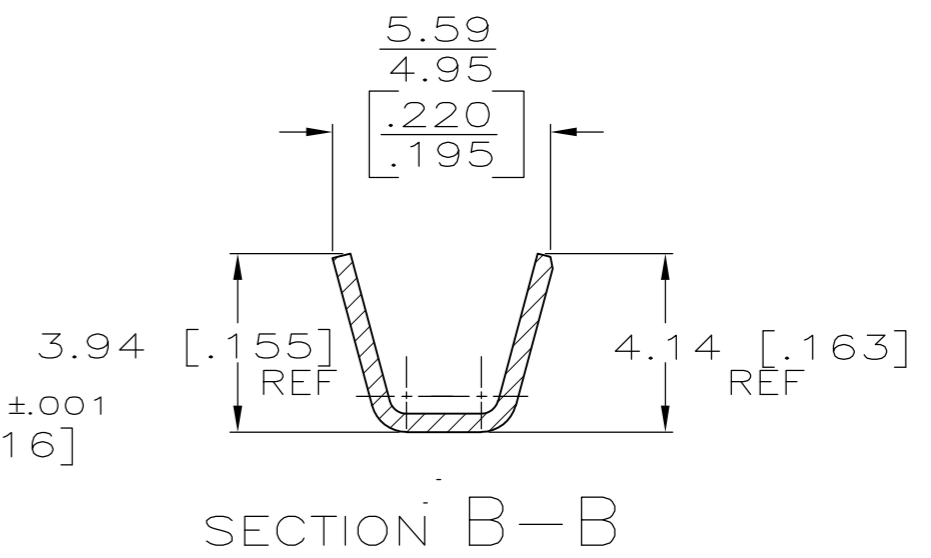
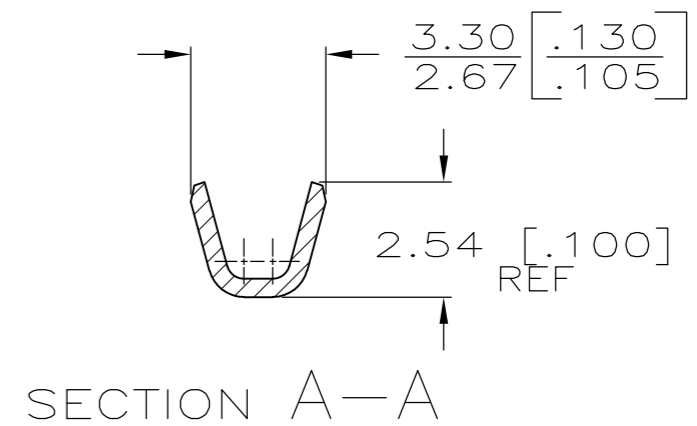


THIS DRAWING IS UNPUBLISHED. RELEASED FOR PUBLICATION
 © COPYRIGHT - By - ALL RIGHTS RESERVED.

LOC		DIST		REVISIONS			
P	LTR	DESCRIPTION		DATE	DWN	APVD	
AF	50	F2	REVISED PER ECR-12-013219	08JAN13	KH	KR	



- 1 BUDGET FLAG FASTON TERMINALS, BASE P/N 521049, ARE USED IN THIS PRODUCT.
- 2 MATERIAL: TERMINAL - BRASS
HOUSING - 6/6 V0, NYLON
- 3 FINISH: TERMINAL - SEE TABLE
HOUSING - NATURAL
- 4 WIRE SIZE IS [22-18] AWG
- 5 INSULATION RANGE IS 1.27-2.54
[.050-.100] DIA
- 6 ALTERNATIVE HOUSING FORM



TIN PLATE	521411-2
PLAIN	521411-1
TERMINAL FINISH	PART NO

THIS DRAWING IS A CONTROLLED DOCUMENT.		DWN	JR RUTH	18MAY01
DIMENSIONS:		CHK	MS FEHER	18MAY01
mm [INCHES]		APVD	J HUMMEL	18MAY01
TOLERANCES UNLESS OTHERWISE SPECIFIED:		PRODUCT SPEC	108-1285	
0 PLC	± -	APPLICATION SPEC	114-2124	
1 PLC	± -	WEIGHT	-	
2 PLC	± -	CUSTOMER DRAWING		
3 PLC	± 0.25 [.010]			
4 PLC	± -			
ANGLES	± -			
FINISH	± -			

		NAME	
		ASSEMBLY, RECEPTACLE, FLAG, ULTRA-POD, 6.35 [.250] SERIES	
SIZE	CAGE CODE	DRAWING NO	RESTRICTED TO
A2	00779	C=521411	-
SCALE		SHEET	REV
6:1		1 of 1	F2

单击下面可查看定价，库存，交付和生命周期等信息

[>>TE Connectivity\(泰科\)](#)