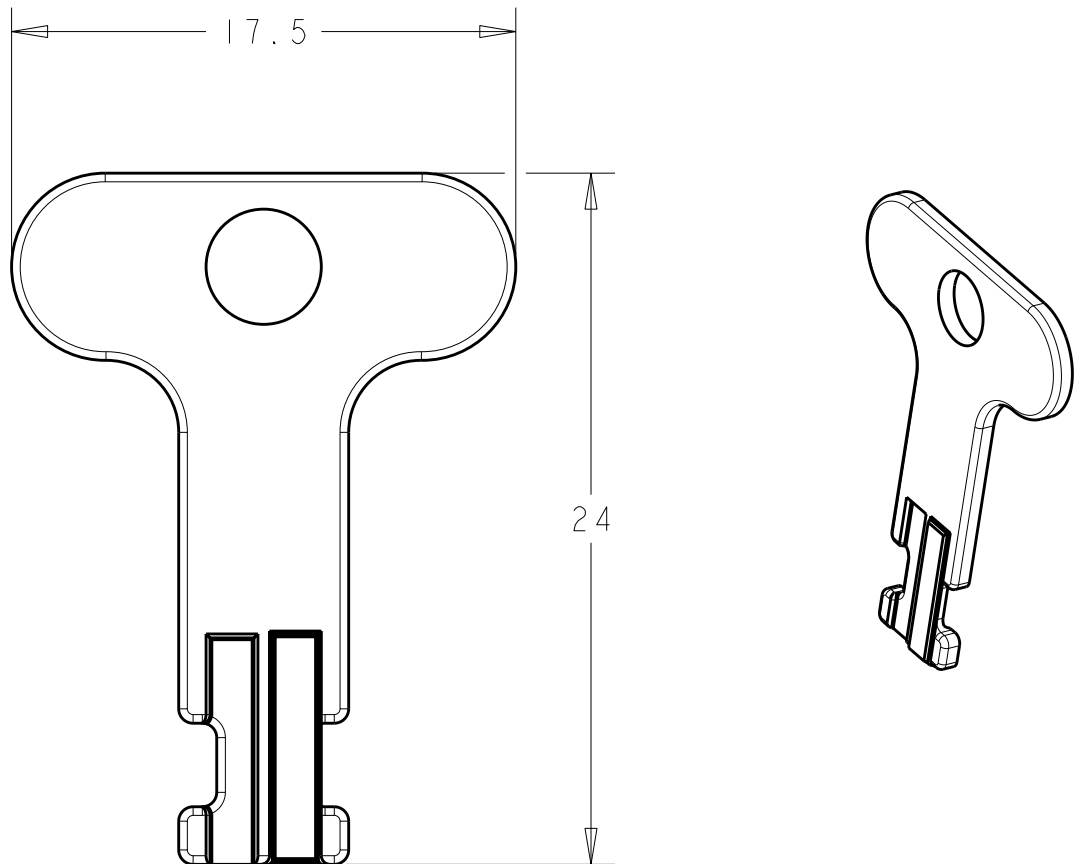


LOC	DIST	REVISIONS					
		P	LTR	DESCRIPTION	DATE	DWN	APVD
-	-		AI	REVISED PER ECO-09-022133	08OCT2009	HMR	MW

NOTE:
 1. HEAD STYLE MAY VARY.




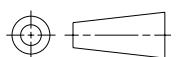
20

RELEASED FOR PUBLICATION

BY TYCO ELECTRONICS CORPORATION. ALL INTERNATIONAL RIGHTS RESERVED.

© COPYRIGHT 20

THIS DRAWING IS UNPUBLISHED.

DIMENSIONS: INCHES	DWN J.C. YOSLER	10NOV2003	MATERIAL	-	FINISH	-
	CHK M. WILBOURN	07NOV2006	 Tyco Electronics Harrisburg, PA 17105-3608			
TOLERANCES UNLESS OTHERWISE SPECIFIED:	APVD M. WILBOURN	07NOV2006				
0 PLC ±-	PRODUCT SPEC		NAME KEY			
1 PLC ±0.1	-		-			
2 PLC ±0.02	APPLICATION SPEC		-			
3 PLC ±0.005	-		SIZE	CAGE CODE	DRAWING NO	RESTRICTED TO
4 PLC ±0.0005	-		A 4		C-1571489	-
ANGLES ±-	WEIGHT		-			
			CUSTOMER DRAWING		SCALE	SHEET OF REV
					:	A

单击下面可查看定价，库存，交付和生命周期等信息

[>>TE Connectivity\(泰科\)](#)