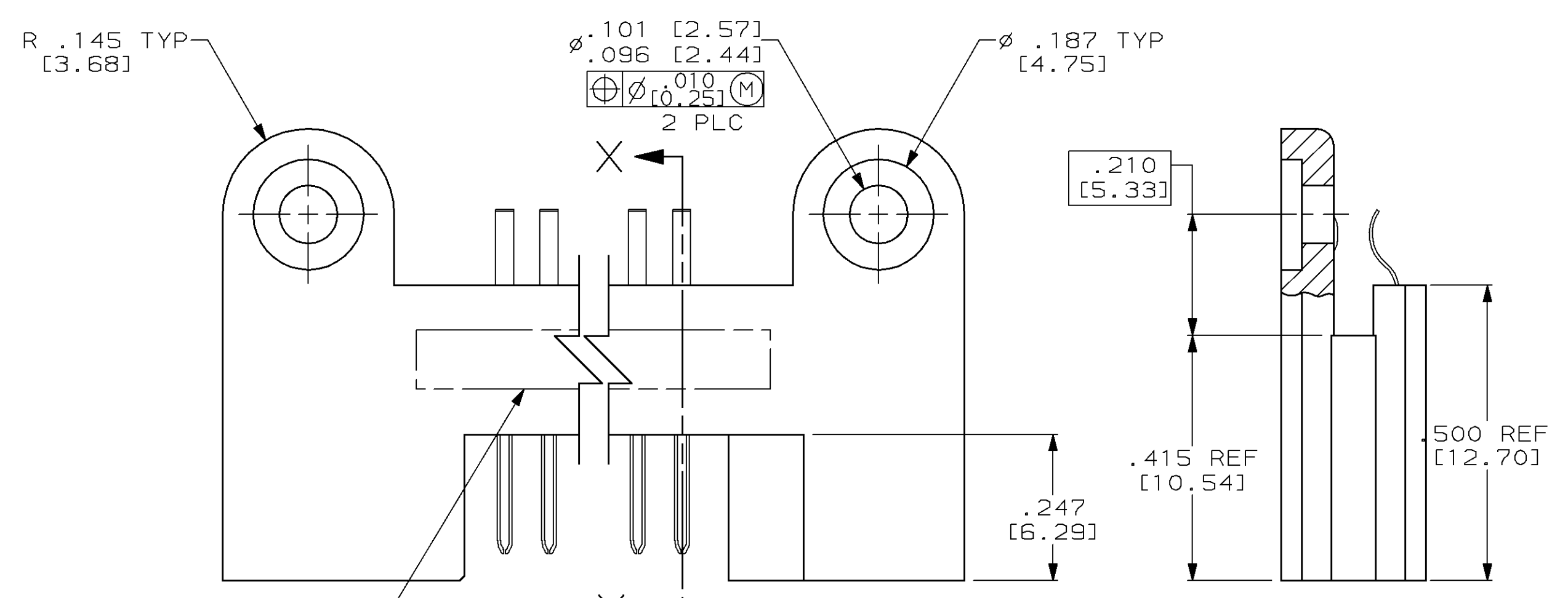
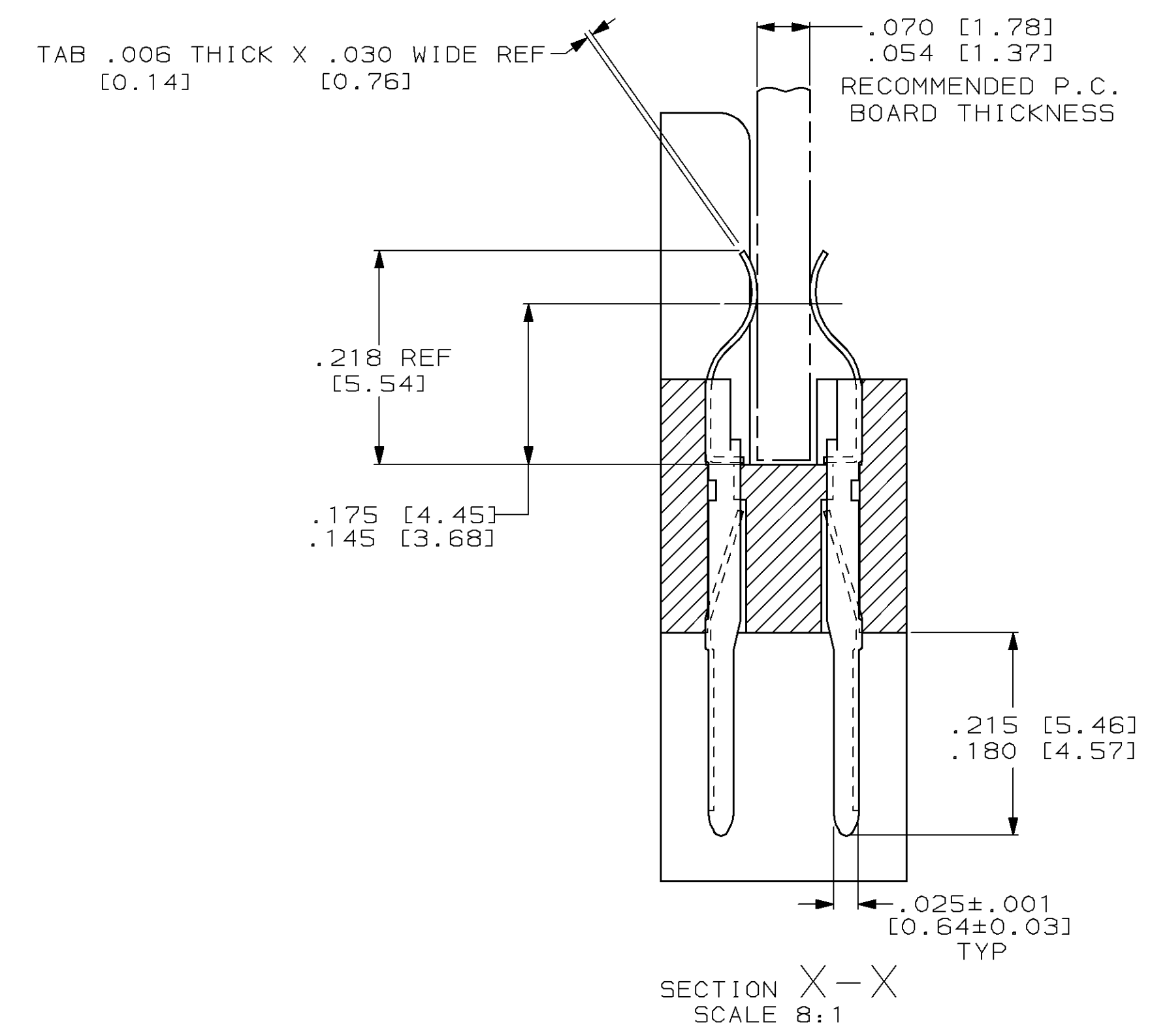
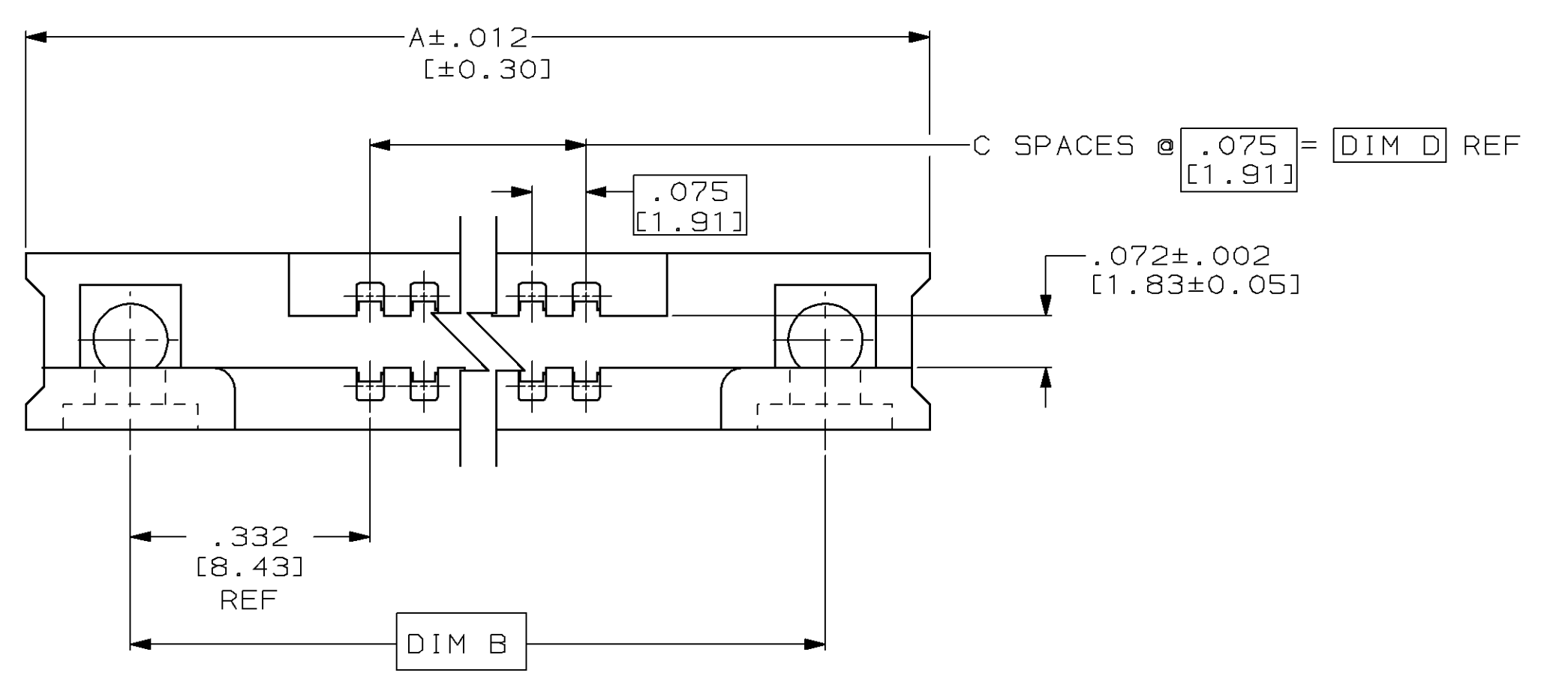
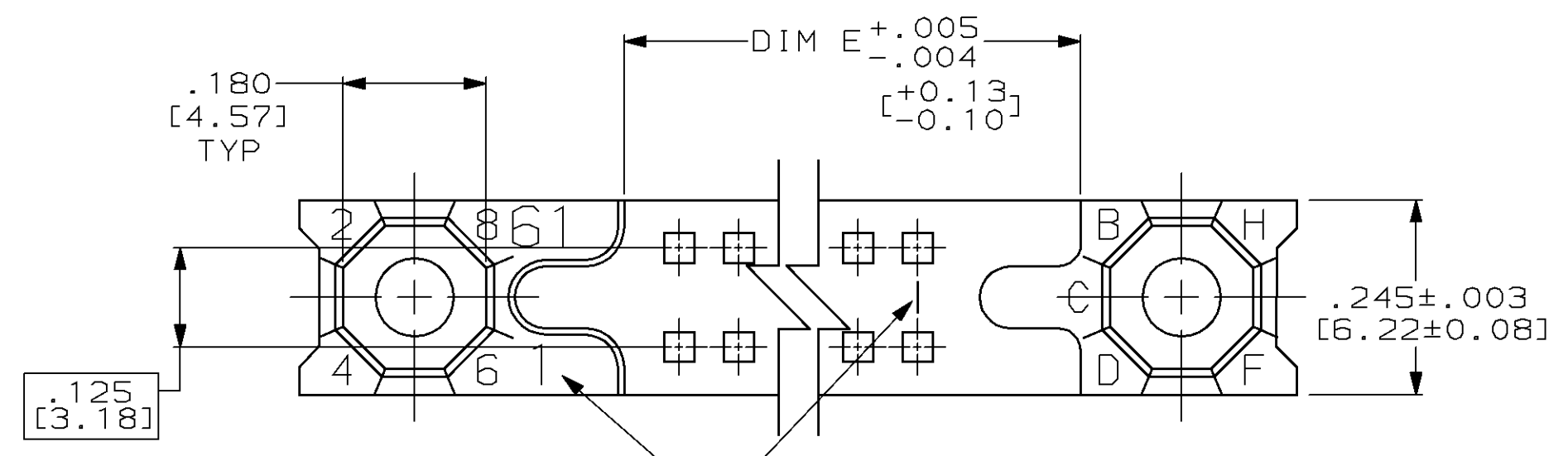


PROJ	LOC	DIST	REVISIONS				DATE	APPD
			P	F	ZONE	LTR		
5368	DF	F0						
			U				REV PER 0600-7188-98 JY	11-98 DG



AMP INFORMATION MARKED IN THIS APPROX. AREA
 2 3 5



CAVITY IDENT (SEE TABLE) AND LINES INDICATING EVERY 5 CAVITIES MARKED ON THIS FACE

- 1 80 CONTACTS ARE LOADED IN CAVITIES #6 THRU #45 AND #56 THRU #95.
- 2 ADDITIONAL MOLDING OR MARKING OF CUSTOMER NO. AND AMP CODE IDENTIFICATION NUMBER.
- 3 ADDITIONAL MARKING OF CUSTOMER PART NO.
- 4 MEETS APPLICABLE REQUIREMENTS OF MIL-C-55302 AND MIL-C-55302/23.
- 5 ADDITIONAL MOLDING OR MARKING OF CUSTOMER PART NO. 70143-1313334-1
- 6 100% GROUP A ANB B TESTING PER MIL-C-55302.
- 7 .000050 [0.00127] GOLD IN THE CONTACT AREA, .000100 [0.00254] TIN-LEAD ON THE TAILS OVER .000050 [0.00127] NICKEL ON THE ENTIRE CONTACT
- 8 .000030 [0.00076] GOLD IN THE CONTACT AREA, .000100 [0.00254] TIN-LEAD ON THE TAILS OVER .000050 [0.00127] NICKEL ON THE ENTIRE CONTACT

REMARKS	CONTACT FINISH REF	CAVITY IDENT	E	D	C	B	A	NUMBER OF POSITIONS	PART NUMBER
OBSOLETE	4	7	46 - 1	3.575 [90.81]	3.300 [83.82]	44	3.965 [100.71]	4.255 [108.08]	90 2-202845-4
OBSOLETE	5 6	7	16 - 1	1.325 [33.66]	1.050 [26.67]	14	1.715 [43.56]	2.005 [50.93]	30 2-202845-3
OBSOLETE	4	7	36 - 1	2.825 [71.76]	2.550 [64.77]	34	3.215 [81.66]	3.505 [89.03]	70 2-202845-2
	3	8	16 - 1	1.325 [33.66]	1.050 [26.67]	14	1.715 [43.56]	2.005 [50.93]	30 2-202845-1
OBSOLETE	2	8	61 - 1	4.700 [119.38]	4.425 [112.40]	59	5.090 [129.29]	5.380 [136.65]	120 2-202845-0
	2	8	51 - 1	3.950 [100.33]	3.675 [93.35]	49	4.340 [110.24]	4.630 [117.60]	100 1-202845-9
OBSOLETE	-	8	15 - 1	1.250 [31.75]	.975 [24.77]	13	1.640 [41.66]	1.930 [49.02]	28 1-202845-8
	-	8	61 - 1	4.700 [119.38]	4.425 [112.40]	59	5.090 [129.29]	5.380 [136.65]	120 1-202845-7
	-	8	56 - 1	4.325 [109.86]	4.050 [102.87]	54	4.715 [119.76]	5.005 [127.13]	110 1-202845-6
	-	8	46 - 1	3.575 [90.81]	3.300 [83.82]	44	3.965 [100.71]	4.255 [108.08]	90 1-202845-5
	-	8	41 - 1	3.200 [81.28]	2.925 [74.30]	39	3.590 [91.19]	3.880 [98.55]	80 1-202845-4
OBSOLETE	-	8	36 - 1	2.825 [71.76]	2.550 [64.77]	34	3.215 [81.66]	3.505 [89.03]	70 1-202845-3
OBSOLETE	-	8	31 - 1	2.450 [62.23]	2.175 [55.25]	29	2.840 [72.14]	3.130 [79.50]	60 1-202845-2
OBSOLETE	-	8	26 - 1	2.075 [52.71]	1.800 [45.72]	24	2.465 [62.61]	2.755 [69.98]	50 1-202845-1
OBSOLETE	-	8	21 - 1	1.700 [43.18]	1.425 [36.20]	19	2.090 [53.09]	2.380 [60.45]	40 1-202845-0
	-	8	16 - 1	1.325 [33.66]	1.050 [26.67]	14	1.715 [43.56]	2.005 [50.93]	30 202845-9
	-	8	11 - 1	.950 [24.13]	.675 [17.15]	9	1.340 [34.04]	1.630 [41.40]	20 202845-8
OBSOLETE	-	8	6 - 1	.575 [14.61]	.300 [7.62]	4	.965 [24.51]	1.255 [31.88]	10 202845-7
OBSOLETE	1	8	51 - 1	3.950 [100.33]	3.675 [93.35]	49	4.340 [110.24]	4.630 [117.60]	100 202845-2
OBSOLETE	-	8	51 - 1	3.950 [100.33]	3.675 [93.35]	49	4.340 [110.24]	4.630 [117.60]	100 202845-1

DO NOT SCALE PRINT. UNLESS SPECIFIED DIMENSIONS IN INCHES [mm] TOLERANCES ON + 2 PLC DEC ± .005 [0.13] ANGLES ±

DR 4-24-97 C.C.THOMAS
 CHK 4-29-97 D.MILLER
 APPD 4-29-97 D.MILLER
 RLSE 4-30-97 C.THOMAS

AMP Incorporated
 Harrisburg, PA 17105-3608

PIN HEADER ASSEMBLY, 750 SERIES BOX

FINISH SEE TABLE

APPLICATION SPEC -
 WEIGHT -

SIZE D 00779
 SCALE 5:1

CAGE CODE 00779
 DRAWING NO 202845
 SHEET 1 OF 1

单击下面可查看定价，库存，交付和生命周期等信息

[>>TE Connectivity\(泰科\)](#)