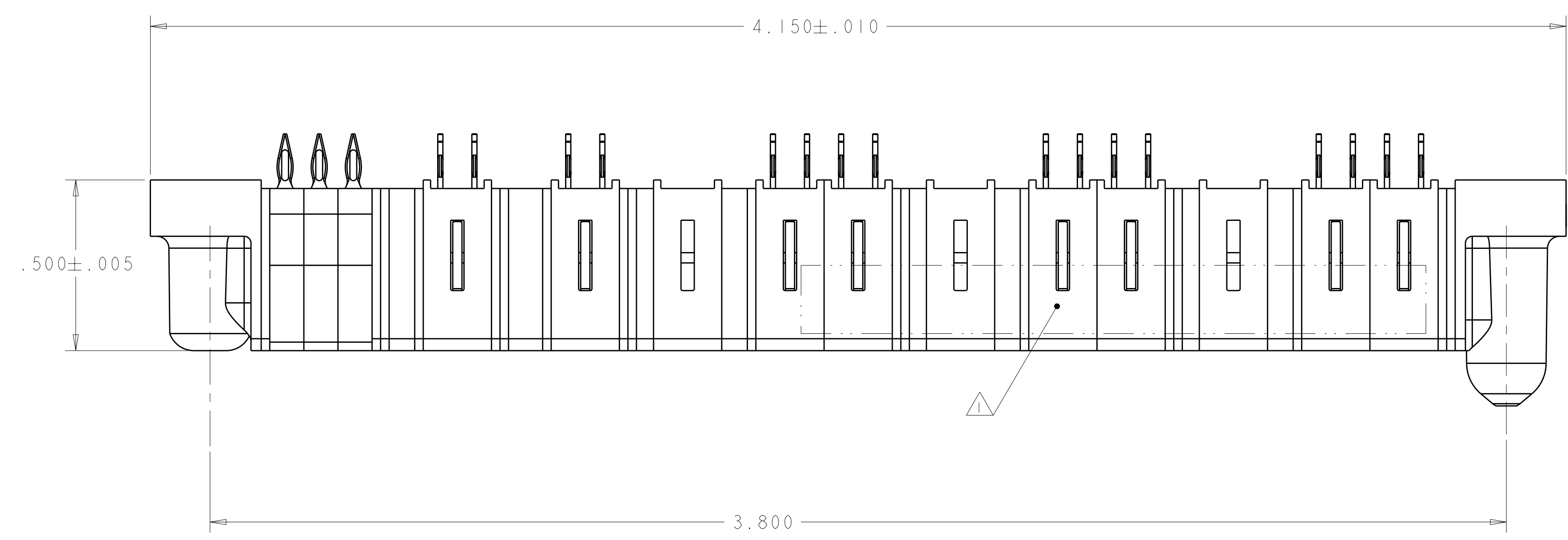
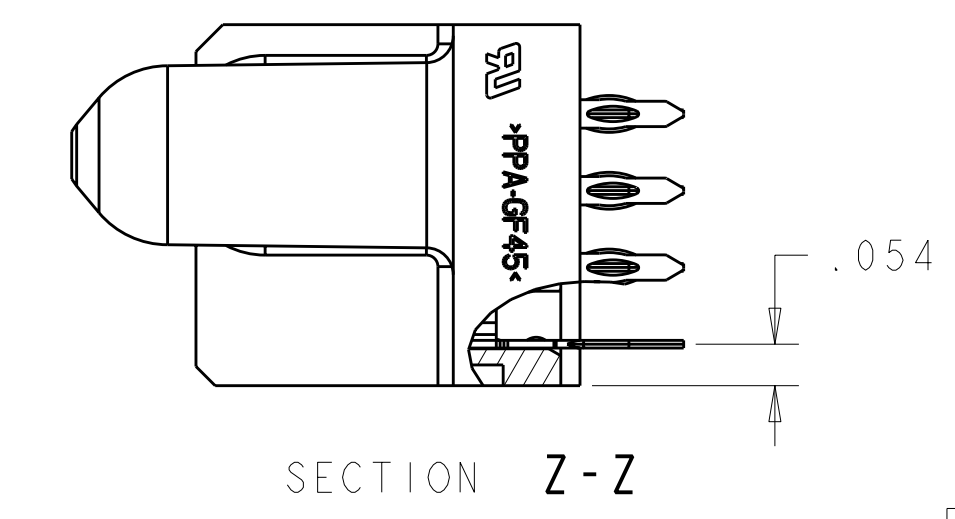
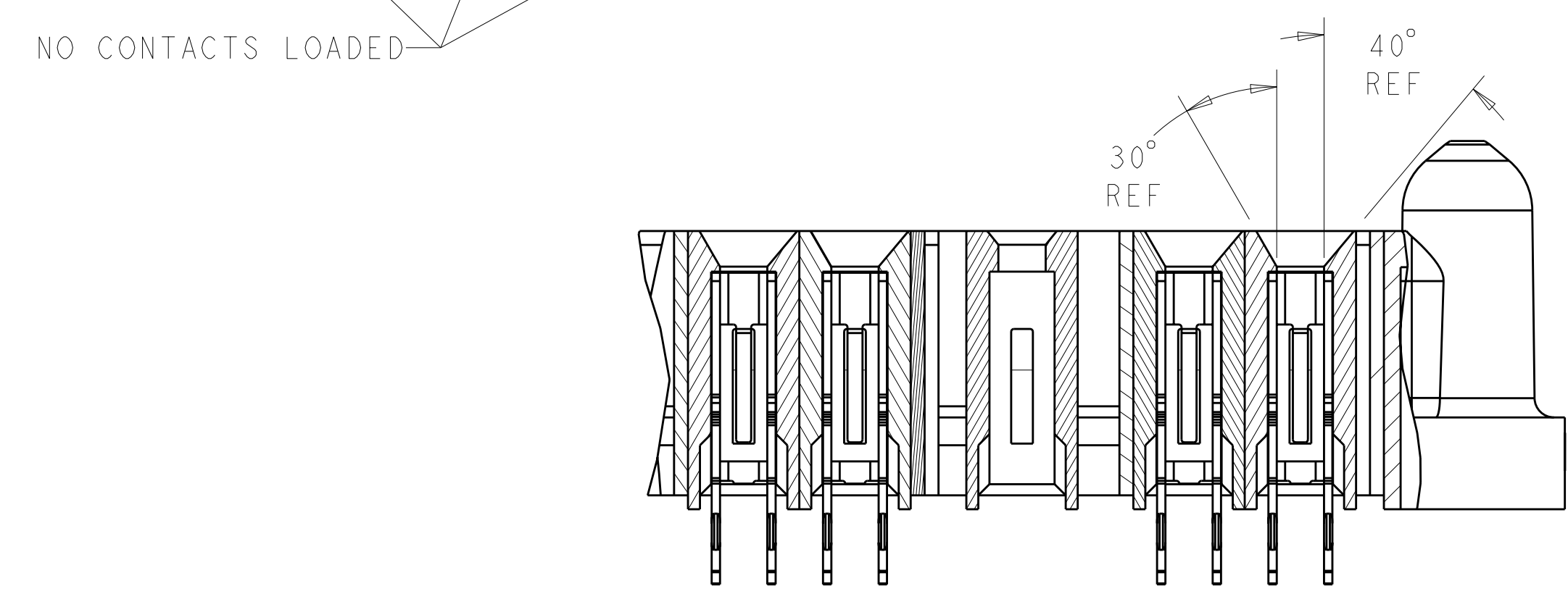
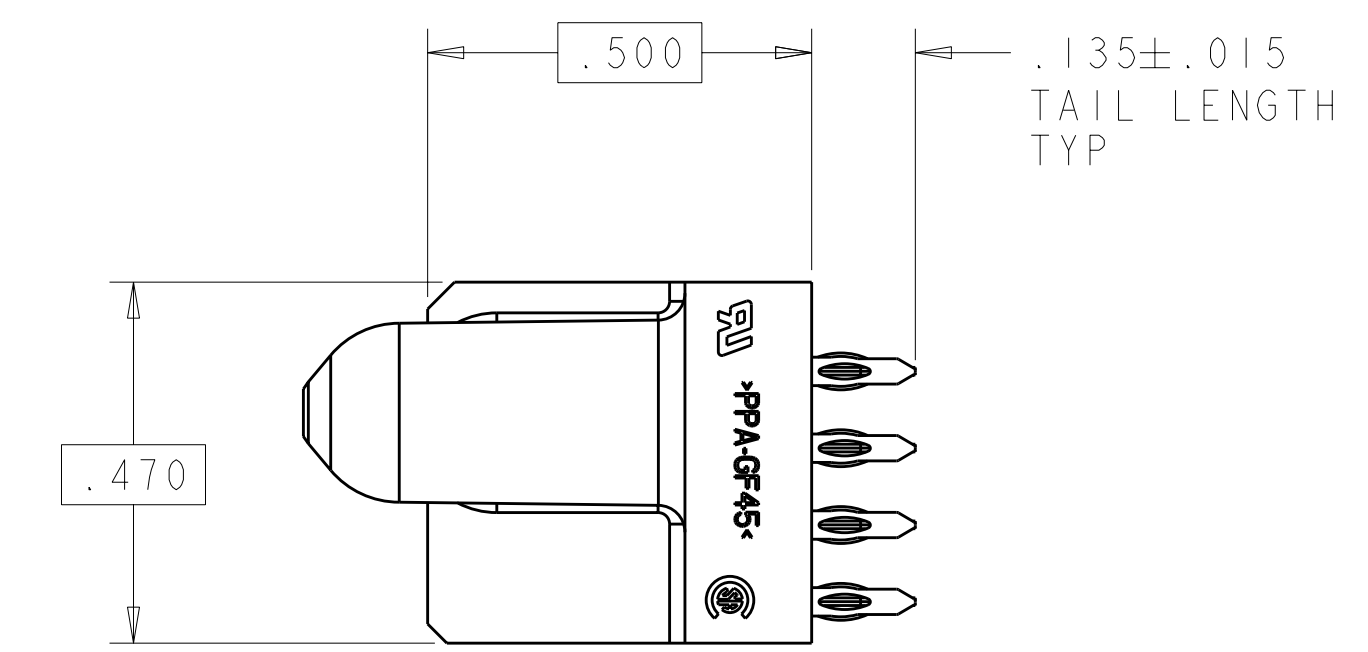
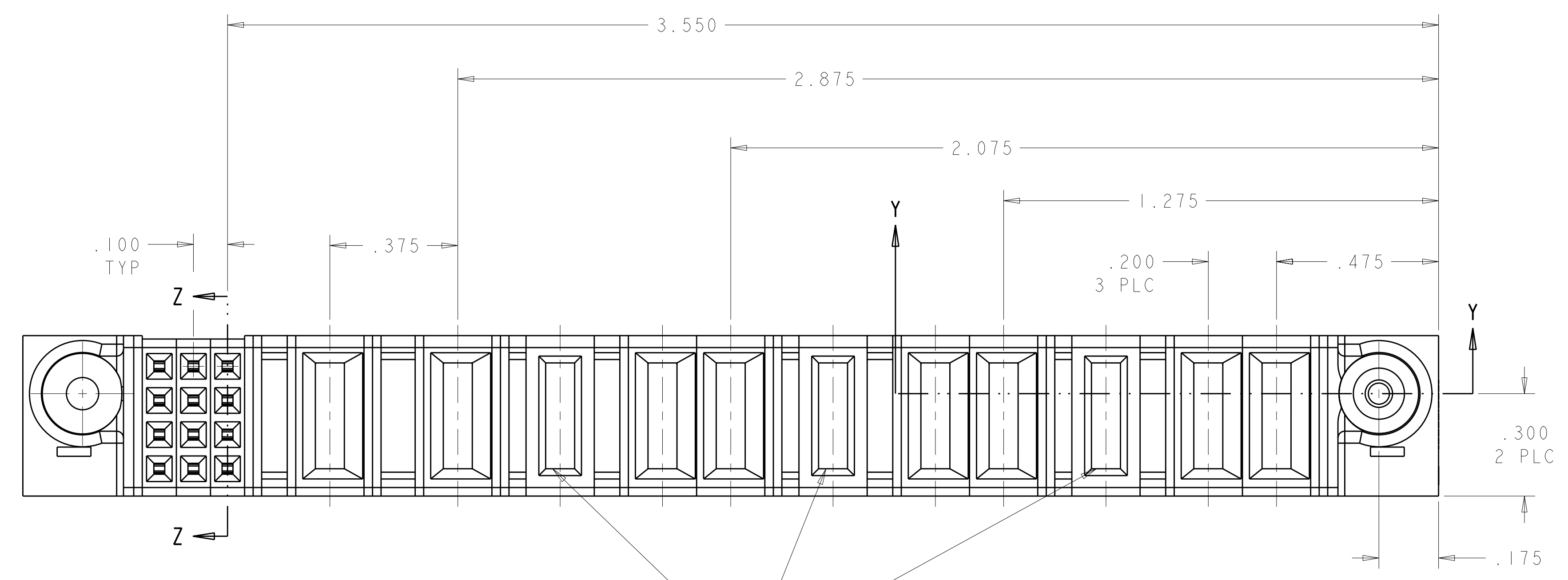


LOC	DIST	REV	DATE	DWN	APVD
ES	00	A	25JUL2008	CZ	SY



- △ "AMP", PART NUMBER, AND DATE CODE TO BE MARKED IN AREA SHOWN
- △ MATERIAL: HOUSING - GLASS FILLED HIGH TEMP THERMO PLASTIC, UL94 V-0
 SIGNAL CONTACT - HIGH CONDUCTIVITY COPPER ALLOY
 POWER CONTACT - HIGH CONDUCTIVITY COPPER ALLOY
- △ CONTACT PLATING: SIGNAL CONTACTS - .000050 MIN Ni UNDER ALL
 .000030 MIN Au ON CONTACT AREA
 .000100 MIN Sn AT PCB INTERFACE
 POWER CONTACTS - .000050 MIN Ni UNDER ALL
 .000030 MIN Au ON CONTACT AREA
 .000100 MIN Sn AT PCB INTERFACE
- △ MECHANICAL CONNECTOR KEEP OUT ZONE
- △ DATUM AND BASIC DIMENSIONS ESTABLISHED BY CUSTOMER
- △ PCB - ALL HOLE DIAMETERS ARE FINISHED HOLE SIZES
- △ PCB - .0453 ± .0010 DRILLED HOLES PLATED WITH .0003 MIN Sn OVER
 .001 TO .003 CU PLATING TO ACHIEVE A .040 DIA HOLE



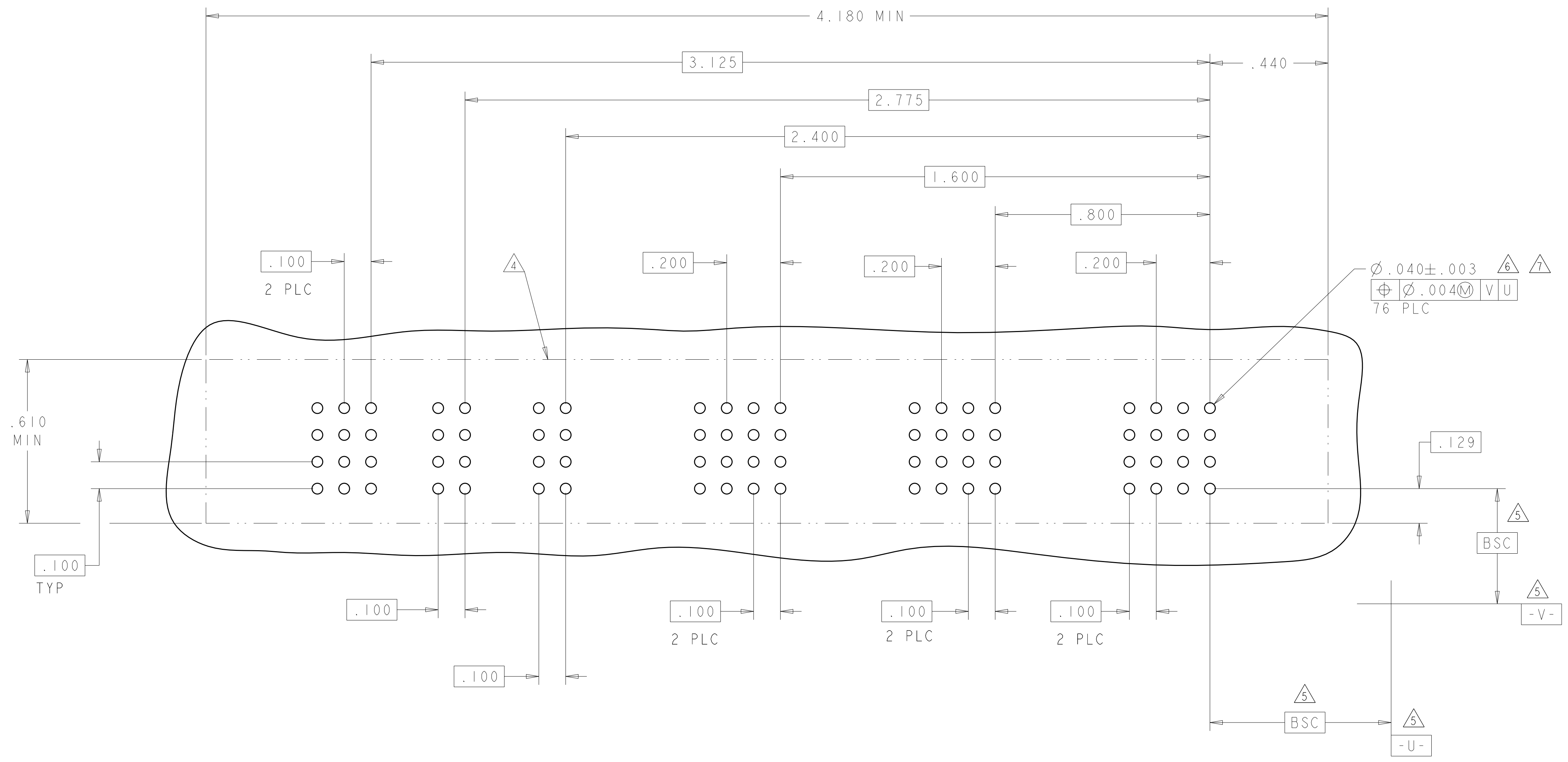
IIP + 12S	1888123-2
DESCRIPTION	PART NUMBER

DIMENSIONS: INCHES 9 PLC ±.01 8 PLC ±.01 5 PLC ±.005 4 PLC ±.0020 ANGLES #2		TOLERANCES UNLESS OTHERWISE SPECIFIED: 9 PLC ±. 8 PLC ±.01 5 PLC ±.005 4 PLC ±.0020 ANGLES #2		DWN: C. ZHOU 29FEB2008 CHK: S. ZHAO 29FEB2008 APVD: S. YAO NAME: S. YAO PRODUCT SPEC: 108-1973 APPLICATION SPEC: 114-13038 WEIGHT: - CUSTOMER DRAWING		Tyco Electronics Corporation Shanghai, P.R.China, 200233 VERTICAL RECEPTACLE ASSEMBLY WITH LEFT SHORTENED GUIDES, PRESS FIT, MULTI-BEAM XL SIZE: 114-13038 SCALE: 4:1 SHEET: 1 OF 2 REV: A	
--	--	--	--	--	--	--	--

LOC	DIST	REV	DATE	BY	APPD
ES	00				
REVISIONS			DESCRIPTION	DATE	DWN
			SEE SHEET 1		

PART NUMBER	ROWS	SIGNAL			POWER										
		3	2	1	P11	P10	P9	P8	P7	P6	P5	P4	P3	P2	P1
1888123-2	D C B A	AP	AP	AP	GS	GS		GS	GS		GS	GS		GS	GS
		AP	AP	AP											
		AP	AP	AP											
		AP	AP	AP											
11P + 12S															

NO CONTACTS LOADED



CODE	DESCRIPTION
GS	POWER CONTACT, STD
AP	SIGNAL CONTACT

CONTACT TABLE

DIMENSIONS: INCHES TOLERANCES UNLESS OTHERWISE SPECIFIED: 9 PLC ±.01 8 PLC ±.01 5 PLC ±.005 4 PLC ±.0020 ANGLES #2		DWN: C. ZHOU 29FEB2008 CHK: S. ZHAO 29FEB2008 APVD: S. YAO NAME: S. YAO PRODUCT SPEC: 108-1973 APPLICATION SPEC: 114-13038 WEIGHT: - CUSTOMER DRAWING		Tyco Electronics Corporation Shanghai, P.R.China, 200233 RESTRICTED TO: A 00779 C=1888123-2 SCALE 4:1 SHEET 2 OF 2 REV A	
--	--	--	--	--	--

单击下面可查看定价，库存，交付和生命周期等信息

[>>TE Connectivity\(泰科\)](#)