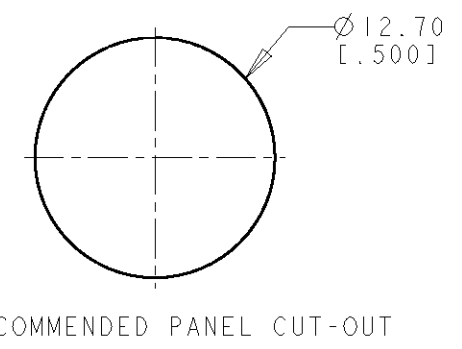
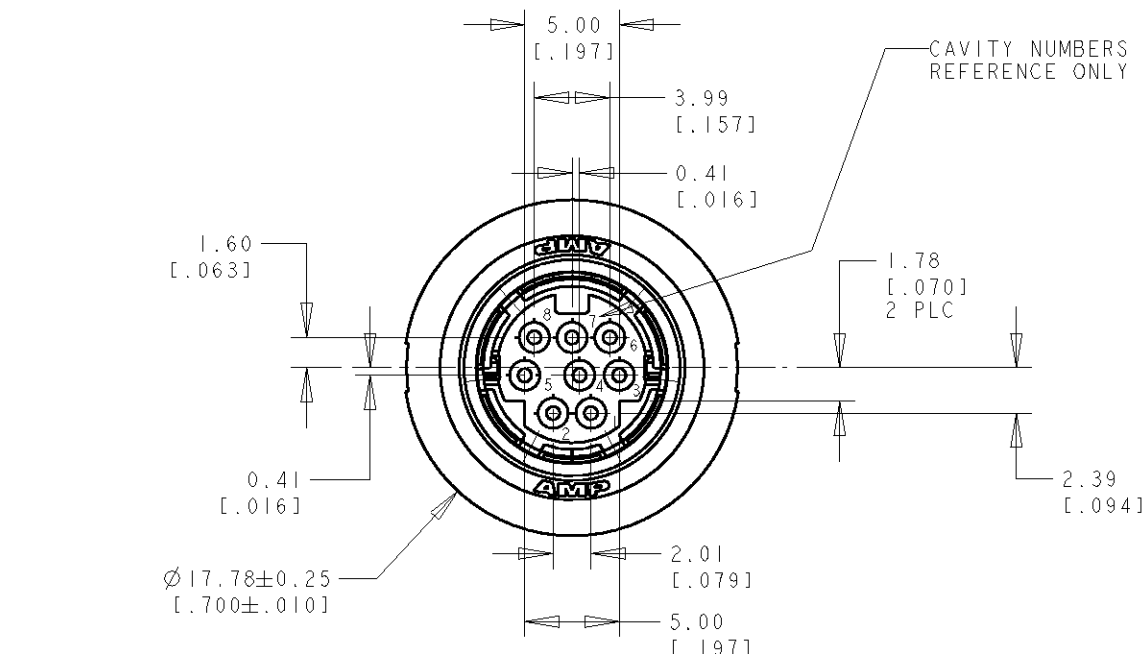
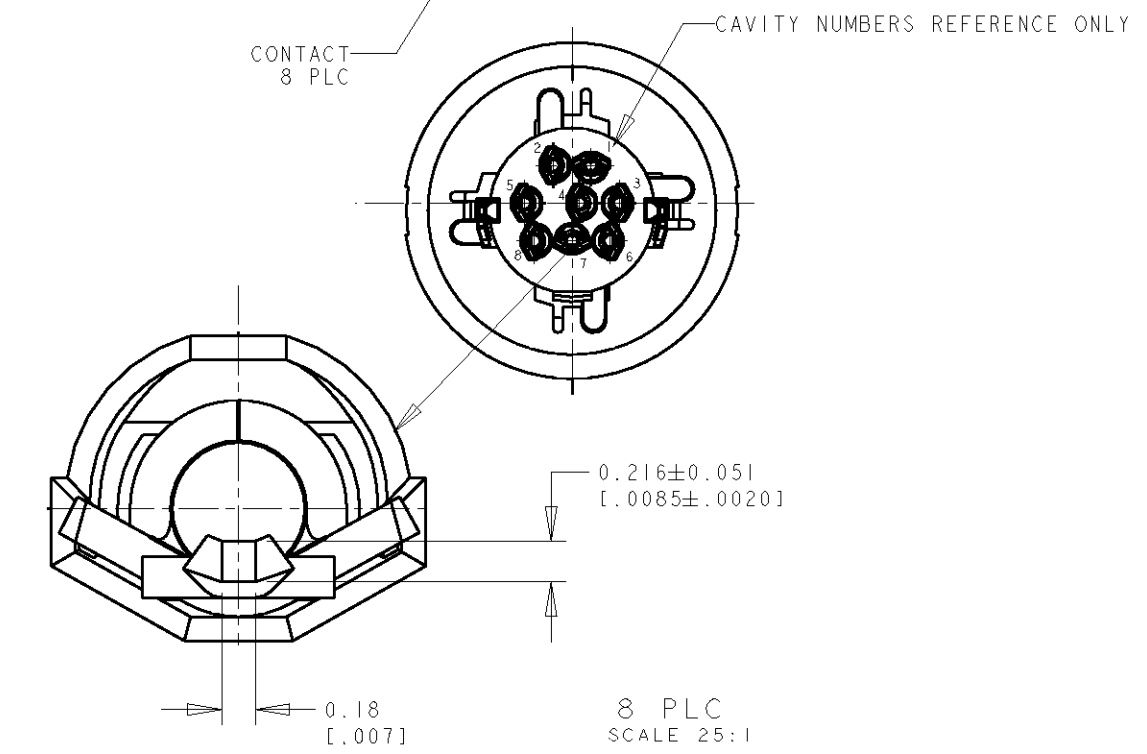
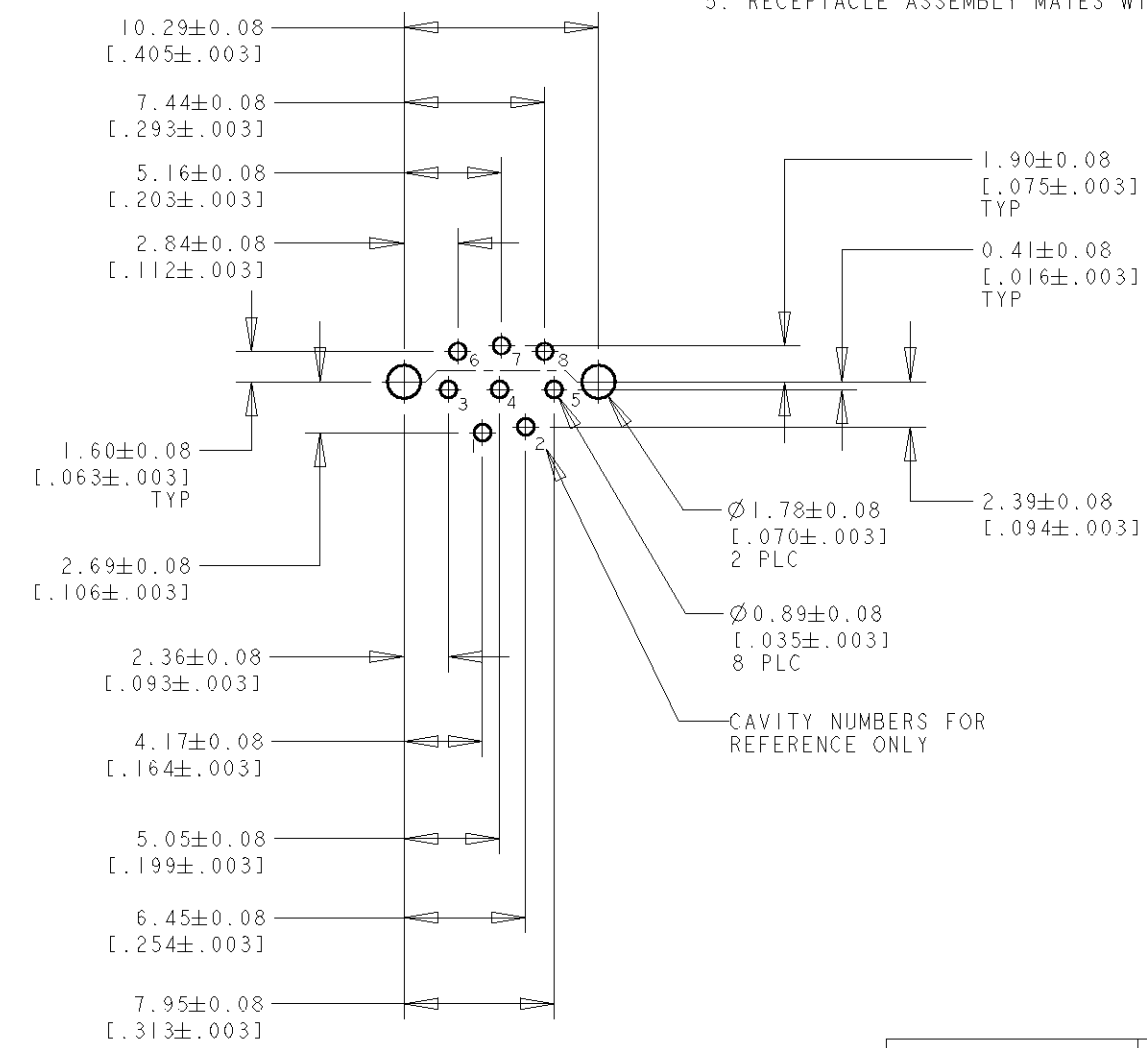
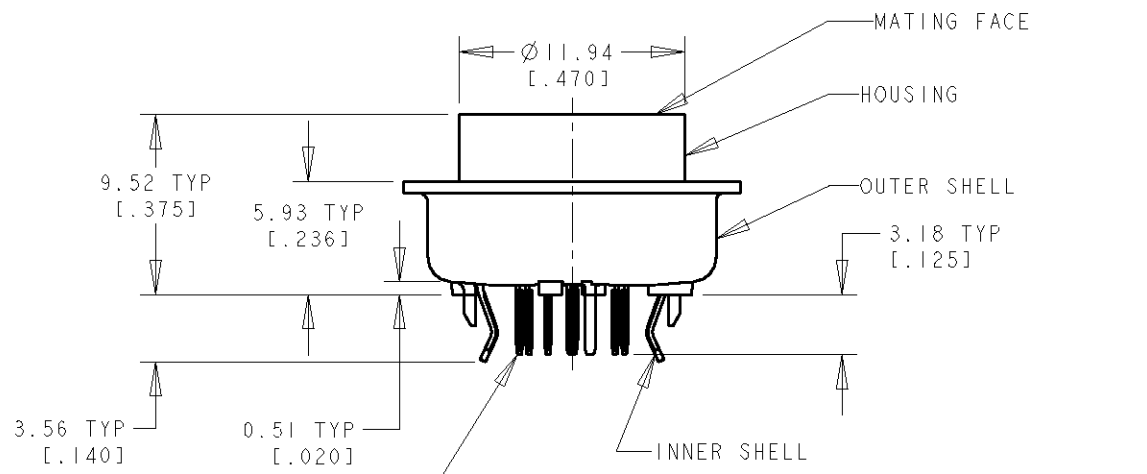


THIS DRAWING IS UNPUBLISHED. RELEASED FOR PUBLICATION .19
 © COPYRIGHT 19 BY AMP INCORPORATED. ALL RIGHTS RESERVED.

LOC	DIST	REVISIONS					
		P	LTR	DESCRIPTION	DATE	DWN	APVD
DY	-	0		NPR ECR-05-005092	17JUN05	LWY	SYJ



- NOTES:
- 1 SHELLS: BRASS
CONTACTS: PHOSPHOR BRONZE
HOUSING: POLYESTER, UL 94V-0 RATED, BLACK
 - 2 0.38um [.000015] MIN GOLD ON MATING END FOR A LENGTH OF 1.37 [.054] MIN ON INSIDE, 2.54um [.000100] MIN TIN FOR A LENGTH OF 3.30um [.130] MIN FROM OPPOSITE END, ALL OVER 1.27um [.000050] MIN NICKEL
 - 3 2.54um [.000100] MIN TIN OVER 2.54um [.000200] MIN COPPER
 - 4 3.81um [.000150] MIN TIN OVER 1.27um [.000050] MIN NICKEL OR COPPER
 - 5. RECEPTACLE ASSEMBLY MATES WITH 8 PIN, $\varnothing 8.99 \pm 0.10$ [.354 \pm .004] PLUG



$\Delta 4$	$\Delta 3$	$\Delta 2$	5750338-1
OUTER SHELL FINISH	INNER SHELL FINISH	CONTACT FINISH	PART NO.

THIS DRAWING IS A CONTROLLED DOCUMENT FOR AMP INCORPORATED. IT IS SUBJECT TO CHANGE AND THE CONTROLLING ENGINEERING ORGANIZATION SHOULD BE CONTACTED FOR THE LATEST REVISION.		DWN WYLEE 17JUN2005	tyco Electronics Tyco Electronics Singapore Pte. Ltd.
DIMENSIONS: mm [INCHES]		CHK YJ SEE	
TOLERANCES UNLESS OTHERWISE SPECIFIED:		APVD SF JFONG	NAME RECEPTACLE ASSEMBLY, 8 POSN, LOW FLANGE, SHIELDED, VERTICAL, MINIATURE CIRCULAR DIN, LF
0 PLC \pm		PRODUCT SPEC -	
1 PLC \pm		APPLICATION SPEC -	SIZE A3
2 PLC ± 0.13 [.005]		WEIGHT -	CAGE CODE 00779
3 PLC \pm		CUSTOMER DRAWING	DRAWING NO C-5750338
4 PLC \pm			SCALE 3:1
ANGLES \pm			SHEET 1 OF 1
FINISH SEE TABLE			REV 0

单击下面可查看定价，库存，交付和生命周期等信息

[>>TE Connectivity\(泰科\)](#)